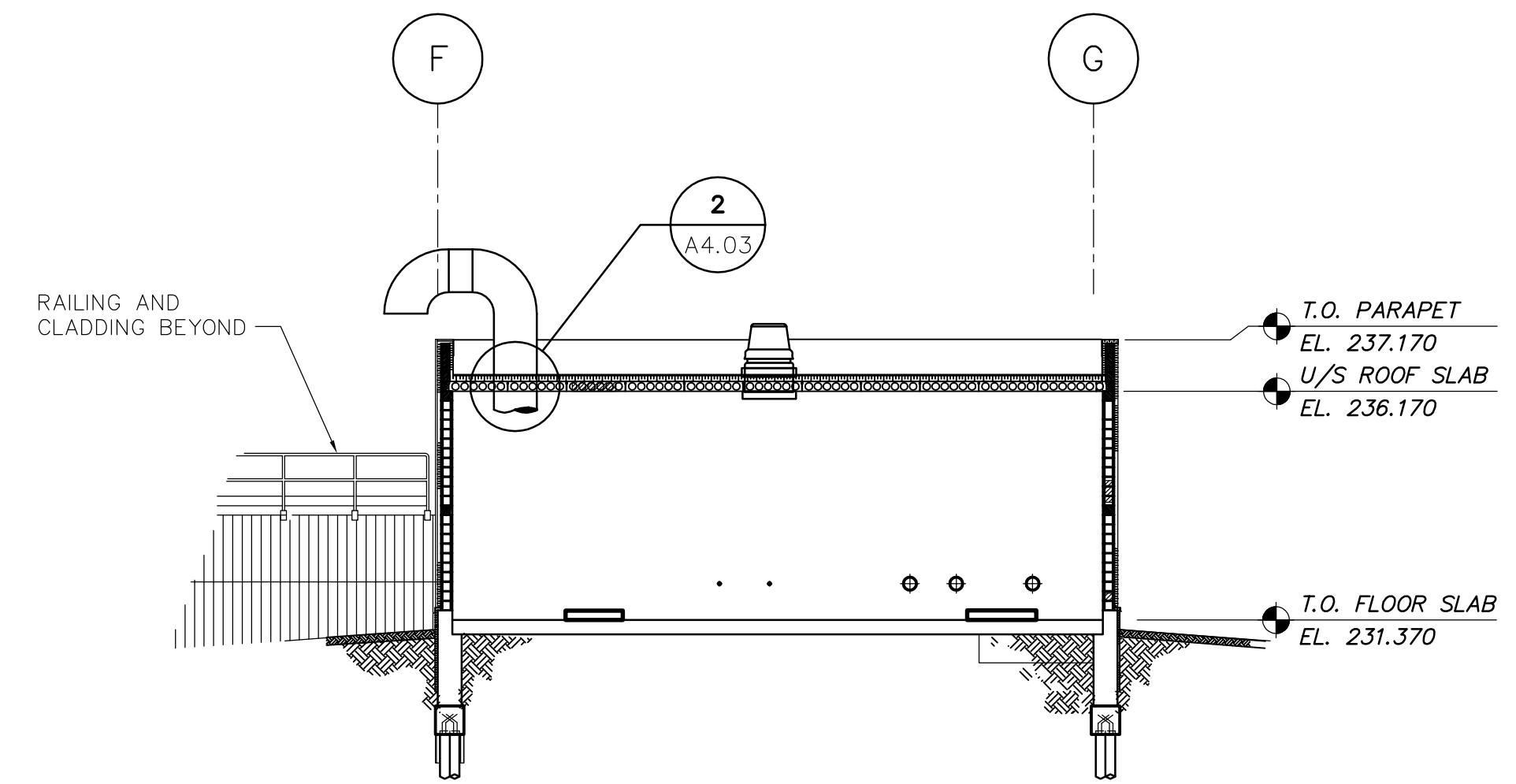
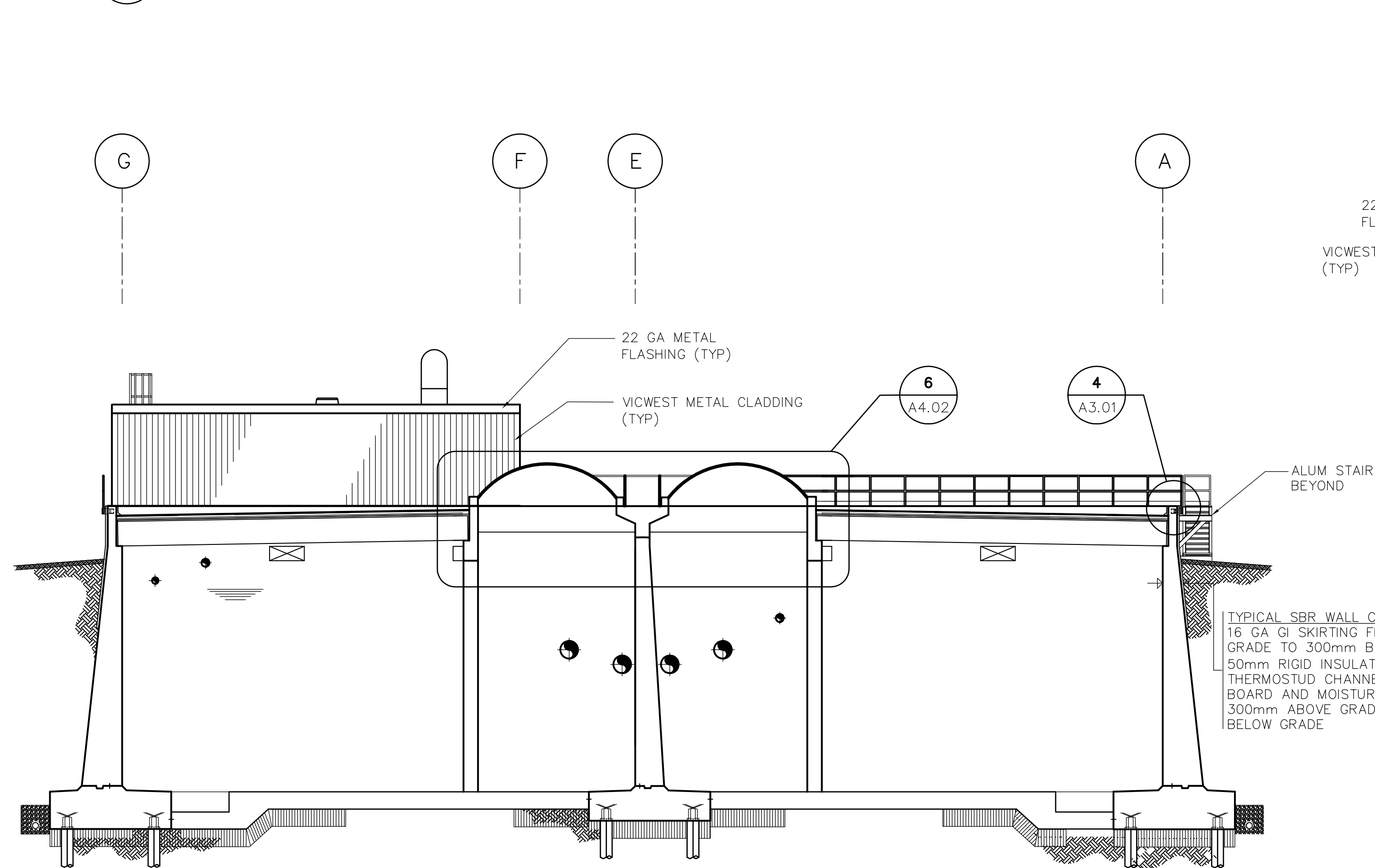


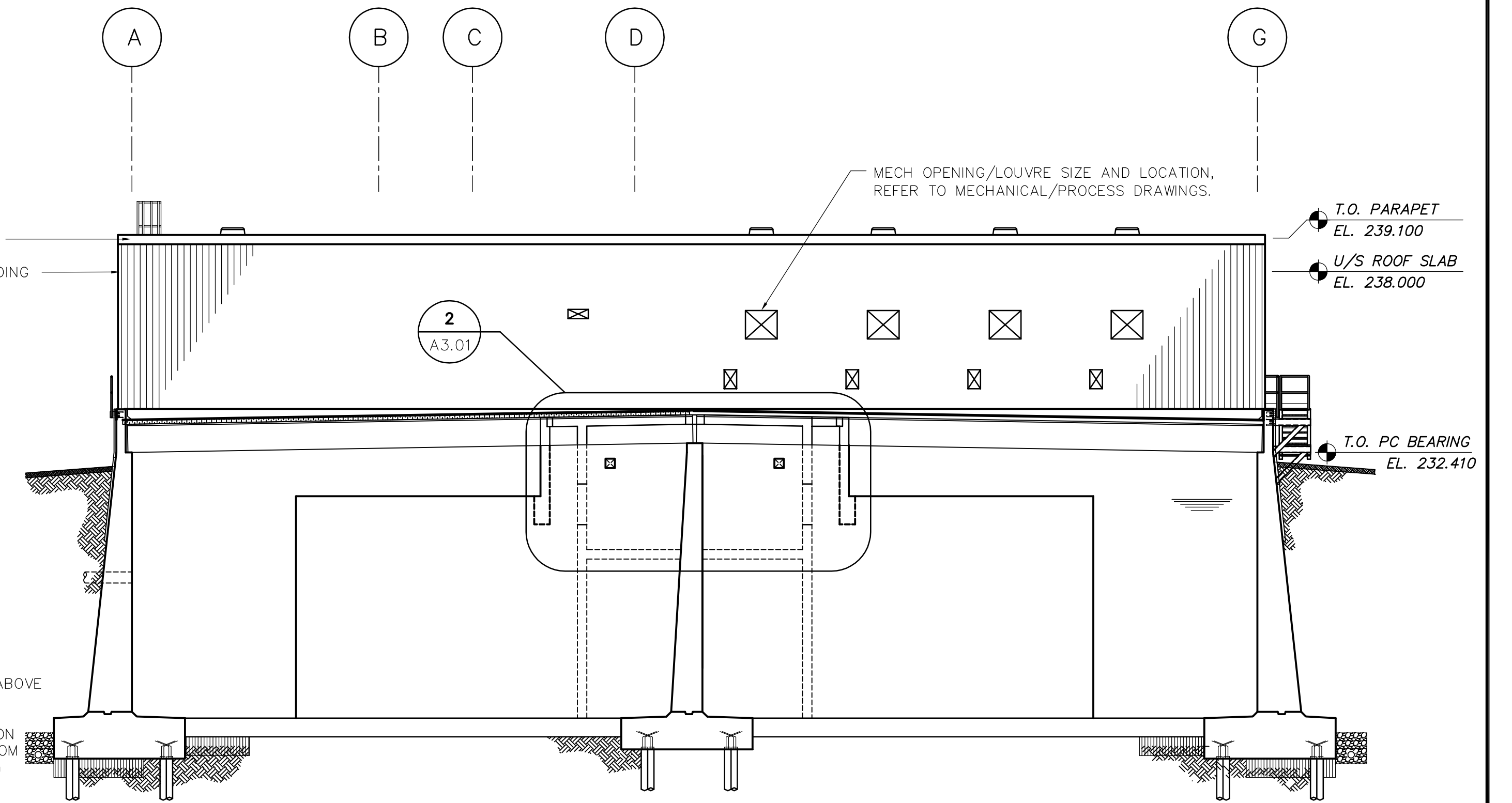
2 BUILDING SECTION  
A1.02 1:125



5 BUILDING SECTION  
A1.02 1:125



4 BUILDING SECTION  
A1.02 1:125



3 BUILDING SECTION  
A1.02 1:125



B.M. ELEV.		<b>EarthTech</b> A Tyco International Ltd. Company		ENGINEER'S SEAL		<b>THE CITY OF WINNIPEG</b> WATER AND WASTE DEPARTMENT ENGINEERING DIVISION	
DESIGNED BY	NC	CHECKED BY	LK	ORIGINAL SIGNED BY	N. COOPER	NEWPCC CENTRATE NUTRIENT TREATMENT NITROGEN REMOVAL FACILITY	
DRAWN BY	AL	APPROVED BY	JEH	2006/05/15	CITY FILE NUMBER		
HOR. SCALE: AS NOTED		RELEASED FOR CONSTRUCTION BY: K. MARTENS		CONSULTANT DRAWING NO. A3.02		SHEET OF	
VERTICAL SCALE:		DATE 2006/03/21		DATE 2006/05/15		CITY DRAWING NUMBER	
NO. REVISIONS	DATE	BY					