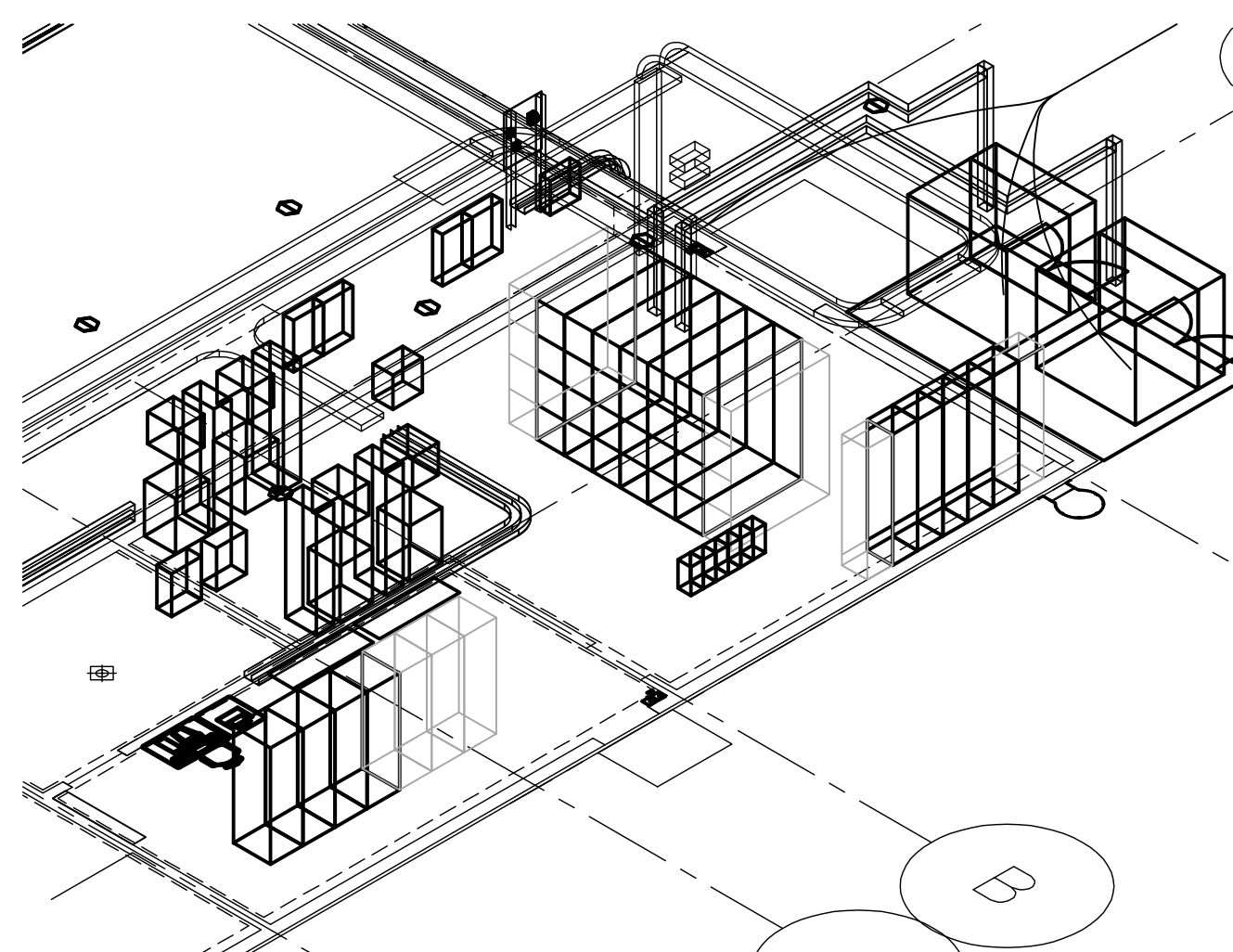


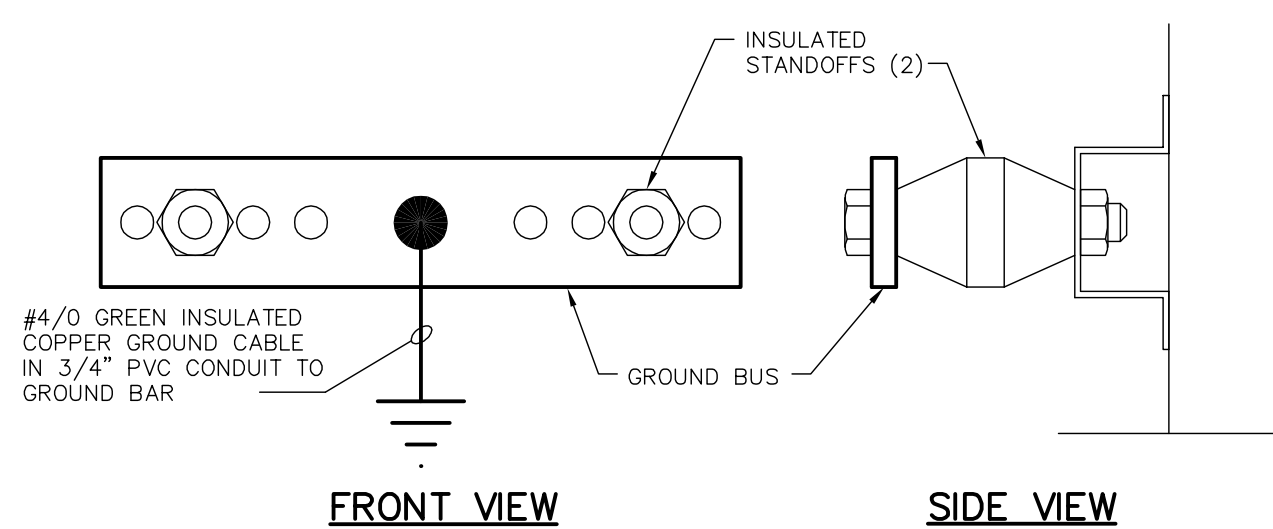
**NOTES:**

- 1.1 PROVIDE TWO LOCAL AREA 120V, 1Ø CIRCUITS PROTECTED BY NEW OVERCURRENT DEVICES. ONE CIRCUIT TO SUPPLY SAMPLE FRIDGE RECEPTACLE AND THE OTHER IS FOR THE SAMPLER.
- 1.2 SAMPLER ARRANGEMENT IN SLUDGE DEWATERING AREA ALSO HAS A 0.75 HP, 120V, 1Ø PUMP C942-P. A SEPARATE CIRCUIT AND ASSOCIATED ELECTRICAL SHALL BE PROVIDED.
- 1.3 REFER TO DRAWING E1.02 FOR LOCATIONS.

**1 TYPICAL SAMPLER AND FRIDGE**  
E3.03 SCALE: N.T.S.



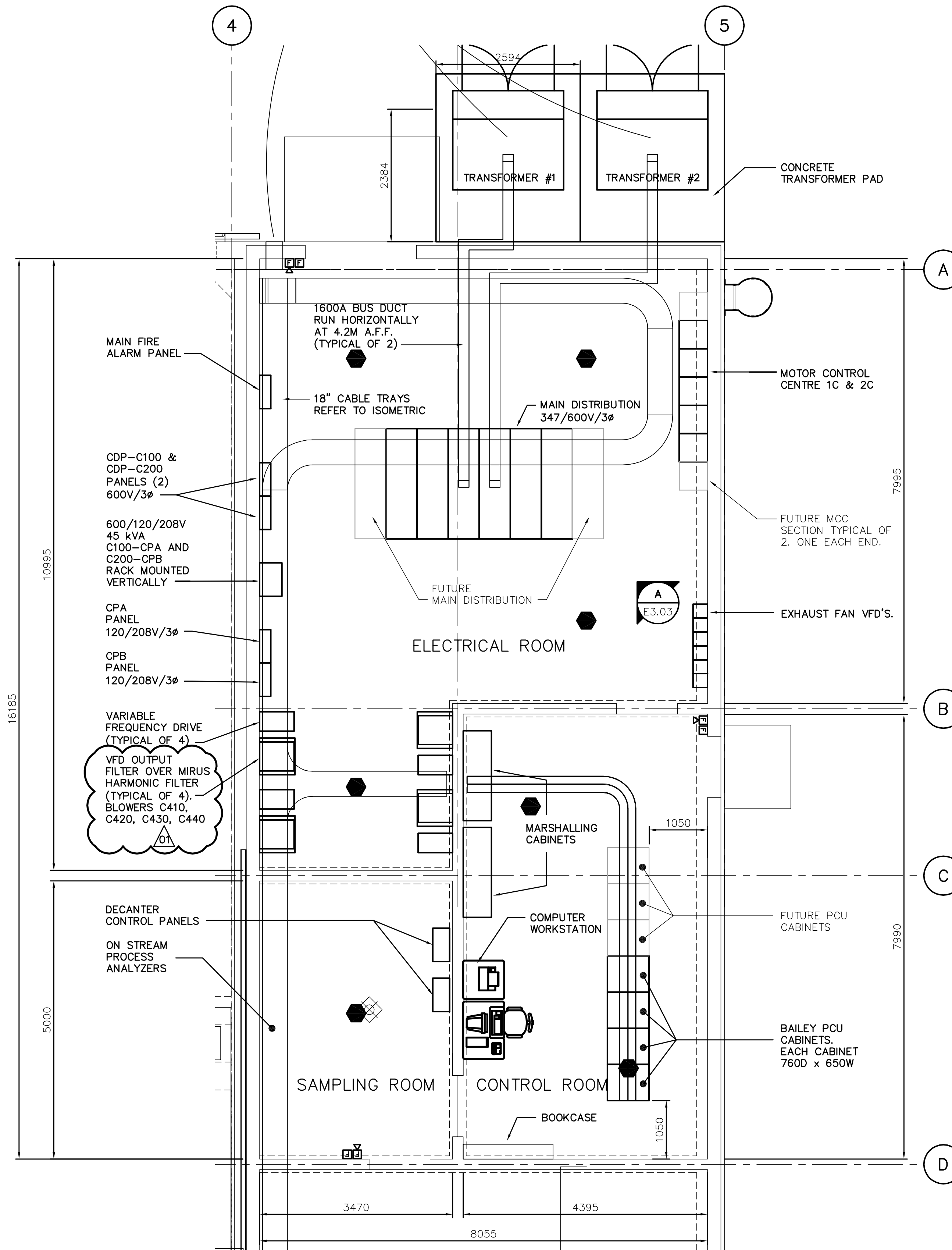
**A ELECTRICAL ROOM – WEST ISOMETRIC**  
E3.03 SCALE: 1:100



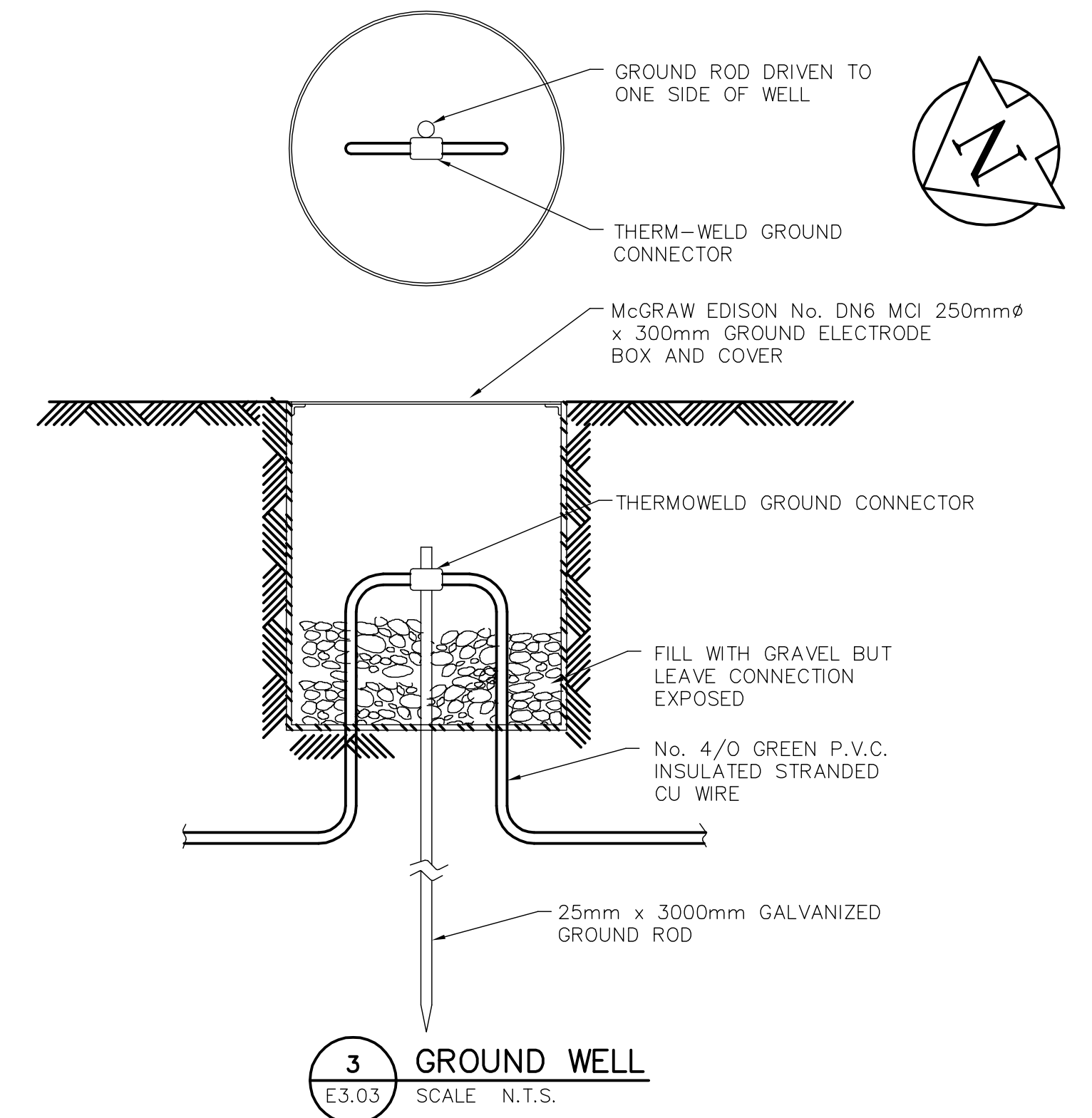
**NOTES:**

- 2.1 NEW COPPER GROUND BAR ( 600x100x6 – CONTROL ROOM, 1000x100x6 – ELECTRICAL ROOM) WITH HOLES PREPUNCHED FOR DOUBLE BOLT CONNECTORS AND INSULATED STANDOFFS.
- 2.2 CONNECT NEW #4/0 GROUND CABLE.
- 2.3 GROUND CONNECTORS TO BE TAGGED ON BOTH ENDS IDENTIFYING LOCATION AND DEVICE.
- 2.4 GROUND CABLE TO BE INSTALLED ON SUPPORTS WHERE POSSIBLE. PROVIDE SUPPORTS WHERE NEEDED.

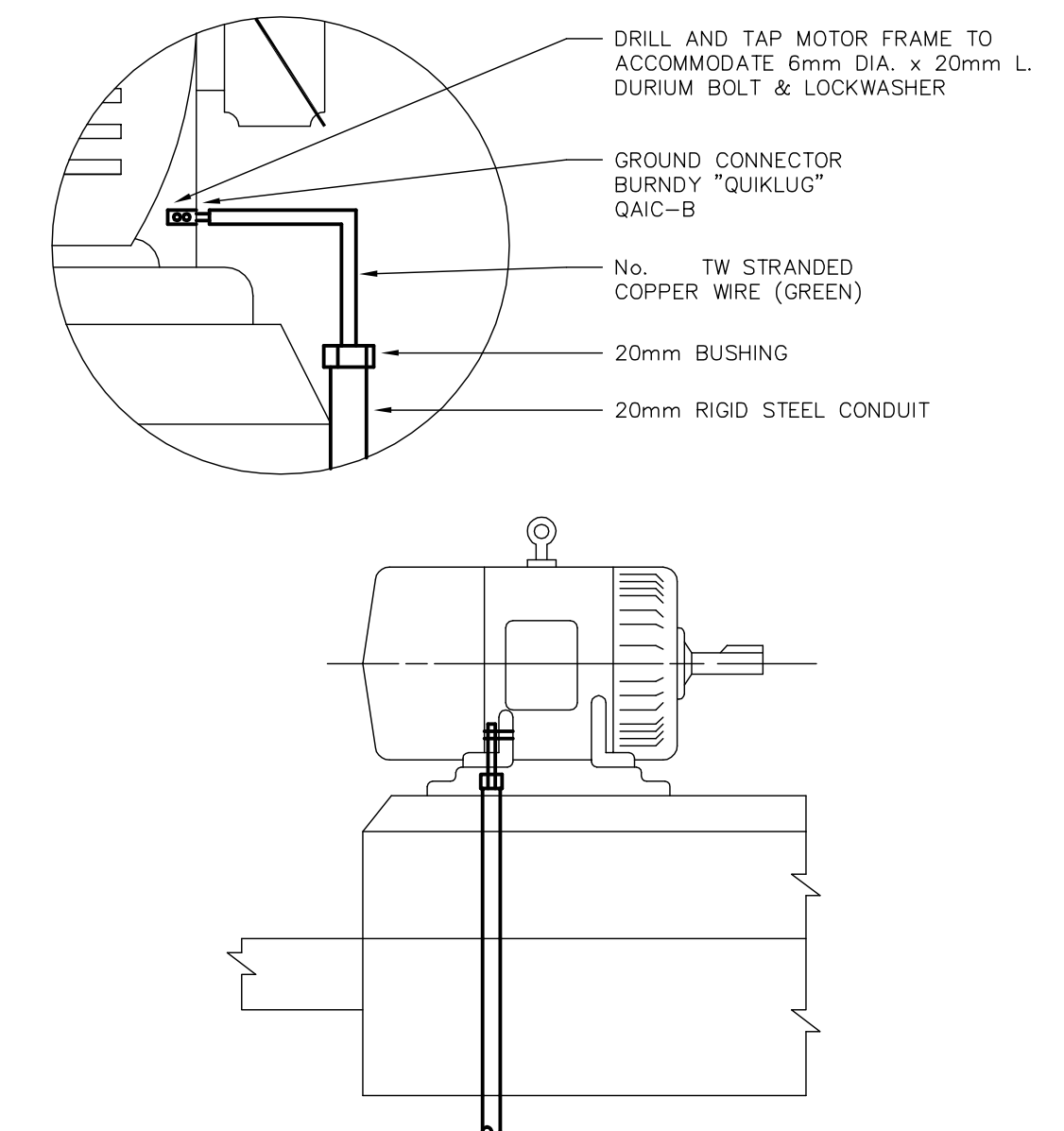
**2 GROUNDING BAR DETAIL**  
E3.03 SCALE: N.T.S.



**ELECTRICAL ROOM – POWER CONTROL PLAN**  
SCALE: 1:50



**3 GROUND WELL**  
E3.03 SCALE: N.T.S.



**4 MOTOR GROUNDING DETAIL**  
E3.03 SCALE: N.T.S.

 Certificate of Authorization Earth Tech Canada Inc. No. 730 Expiry: April 30, 2007	B.M. ELEV.	 A Tyco International Ltd. Company	ENGINEER'S SEAL	 THE CITY OF WINNIPEG WATER AND WASTE DEPARTMENT ENGINEERING DIVISION	
			DESIGNED BY: PS		ORIGINAL SIGNED BY: P. STRYK
			DRAWN BY: CPG		2005/05/15
			SCALE:		CONSULTANT DRAWING NO. E3.03
	01 291-2006 ADDENDUM 3 06/07/12 CPG	CHECKED BY: GSN	CITY FILE NUMBER SHEET OF		
	00 ISSUED FOR TENDER 06/05/15 CPG	APPROVED BY: JEH			
	NO. REVISIONS DATE BY	RELEASED FOR CONSTRUCTION BY: K. MARTENS	CITY DRAWING NUMBER		
	DATE 2006/02/23 DATE 2006/05/15				