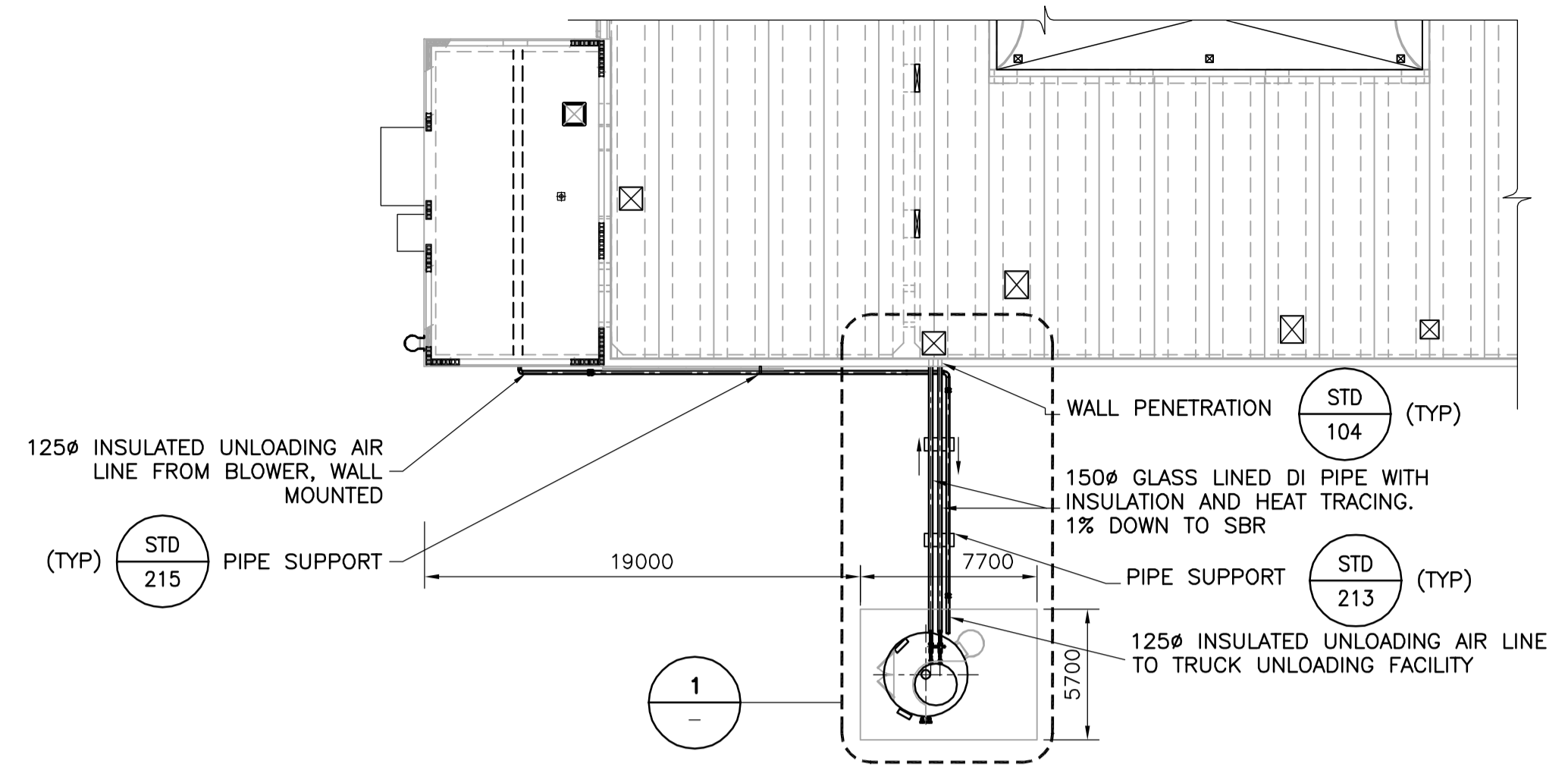


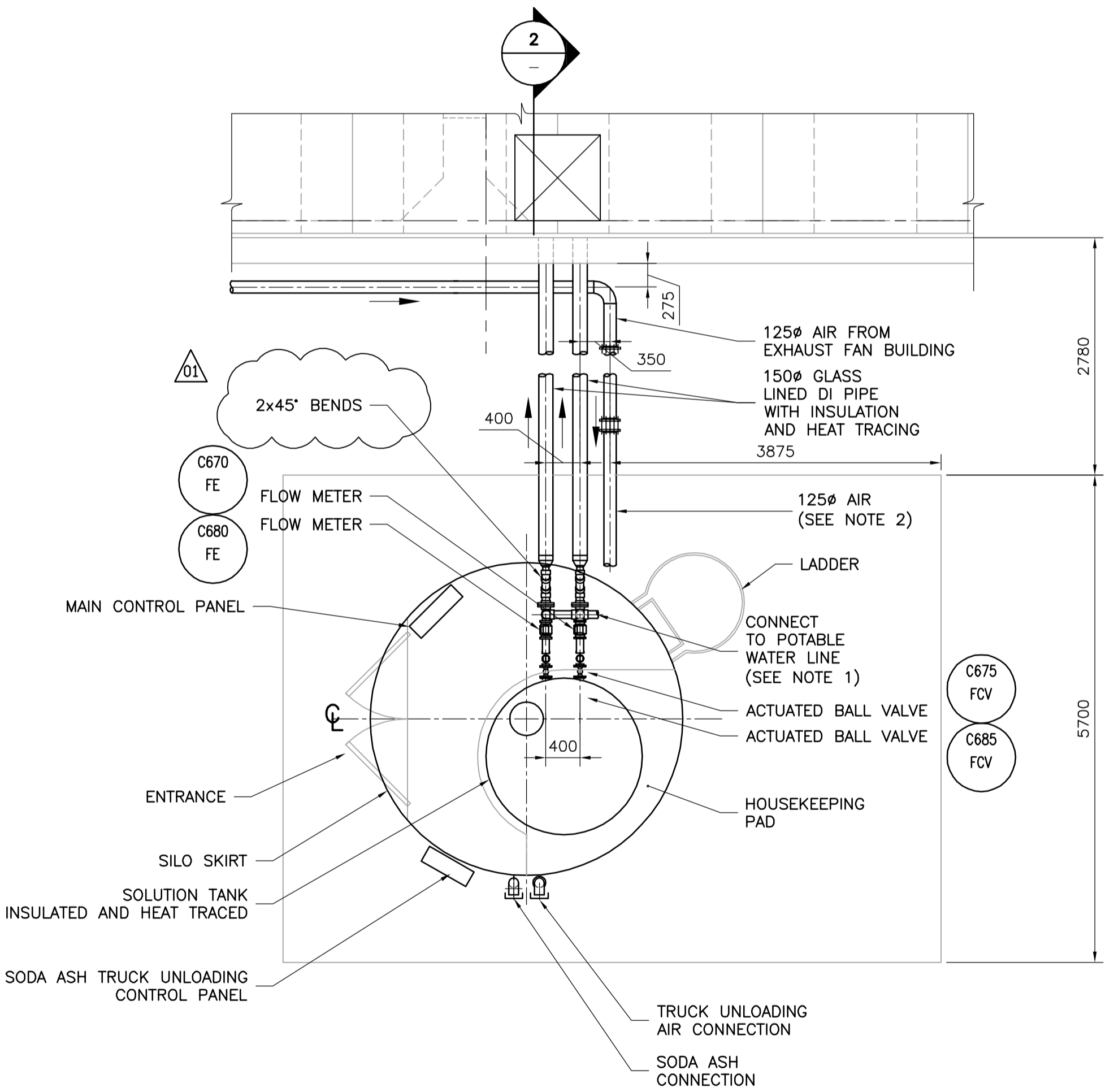
CAGED LADDER  
 DUST COLLECTOR  
 TARGET BOX  
 LEVEL SENSOR  
 LONG RADIUS ELBOW (R=1200 mm MIN)



SODA ASH SYSTEM PLAN  
 SCALE 1:250

SODA ASH SILO  
 SODA ASH SILO C610

SLIDE GATE CV-628  
 C630 FCV ROTARY VALVE  
 SUPPLY HOPPER C635  
 DRY FEEDER  
 LEVEL SENSOR  
 TANK MIXER C650-MXR

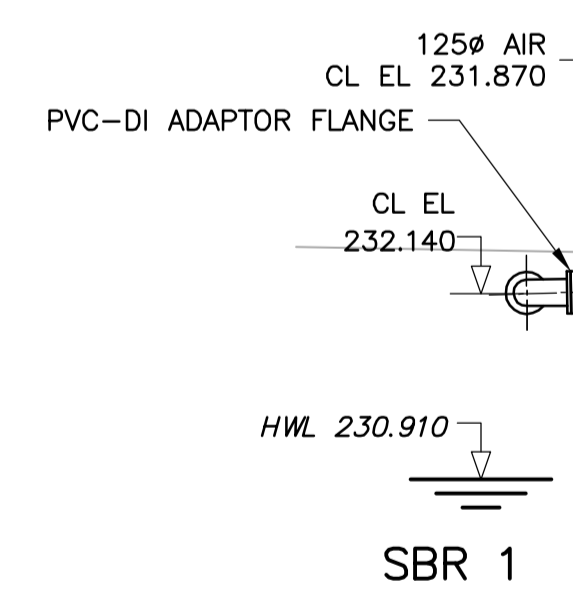


1 DETAIL  
 SCALE 1:50

SOLUTION TANK C645  
 CL EL 232.385  
 SODA ASH FILL LINE ADAPTER & DUST CAP WITH CHAIN TETHER  
 TRUCK UNLOADING AIR CONNECTION WITH CAP  
 125x100 REDUCER

C690 FCV C695 FCV 75mm ACTUATED BALL VALVES  
 REMOVABLE CAP  
 75x150 INCREASER  
 150mm GLASS LINED DI PIPE WITH INSULATION AND HEAT TRACING  
 FALL (232.550-232.140)  
 C670 FE C680 FE MAGNETIC FLOW METERS  
 C675 FCV C685 FCV ACTUATED BALL VALVES  
 75mm BALL VALVE (FLANGE CONNECTION)

2 SECTION  
 SCALE 1:50



- NOTES:
- SEE MECH. DRAWINGS FOR POTABLE WATER LINE CONNECTION TO SODA ASH SILO. WATER LINE CONNECTION TO SODA ASH SOLUTION TANK NOT SHOWN FOR CLARITY.
  - 125mm AIR TO TRUCK UNLOADING AIR CONNECTION.

**APEGM**  
 Certificate of Authorization  
 Earth Tech Canada Inc.  
 No. 730 Expiry: April 30, 2007

B.M. ELEV.			
DESIGNED BY	LW	CHECKED BY	SB
DRAWN BY	GLG	APPROVED BY	JEH
SCALE:	AS NOTED	RELEASED FOR CONSTRUCTION BY:	K. MARTENS
NO.	REVISIONS	DATE	BY
01	291-2006 ADDENDUM 3	06/07/12	LAE
00	ISSUED FOR TENDER	06/05/15	GLG
DATE	2006/02/06	DATE	2006/05/15

**EarthTech**  
 A Tyco International Ltd. Company

ENGINEER'S SEAL  
 ORIGINAL SIGNED BY  
 J.E. HUTCHISON  
 2006/05/15  
 CONSULTANT DRAWING NO.  
 P18.02

**THE CITY OF WINNIPEG**  
 WATER AND WASTE DEPARTMENT  
 ENGINEERING DIVISION

NEWPCC CENTRATE NUTRIENT TREATMENT NITROGEN REMOVAL FACILITY

PROCESS  
 SODA ASH SYSTEM  
 PLAN & SECTIONS

CITY FILE NUMBER  
 SHEET OF  
 CITY DRAWING NUMBER