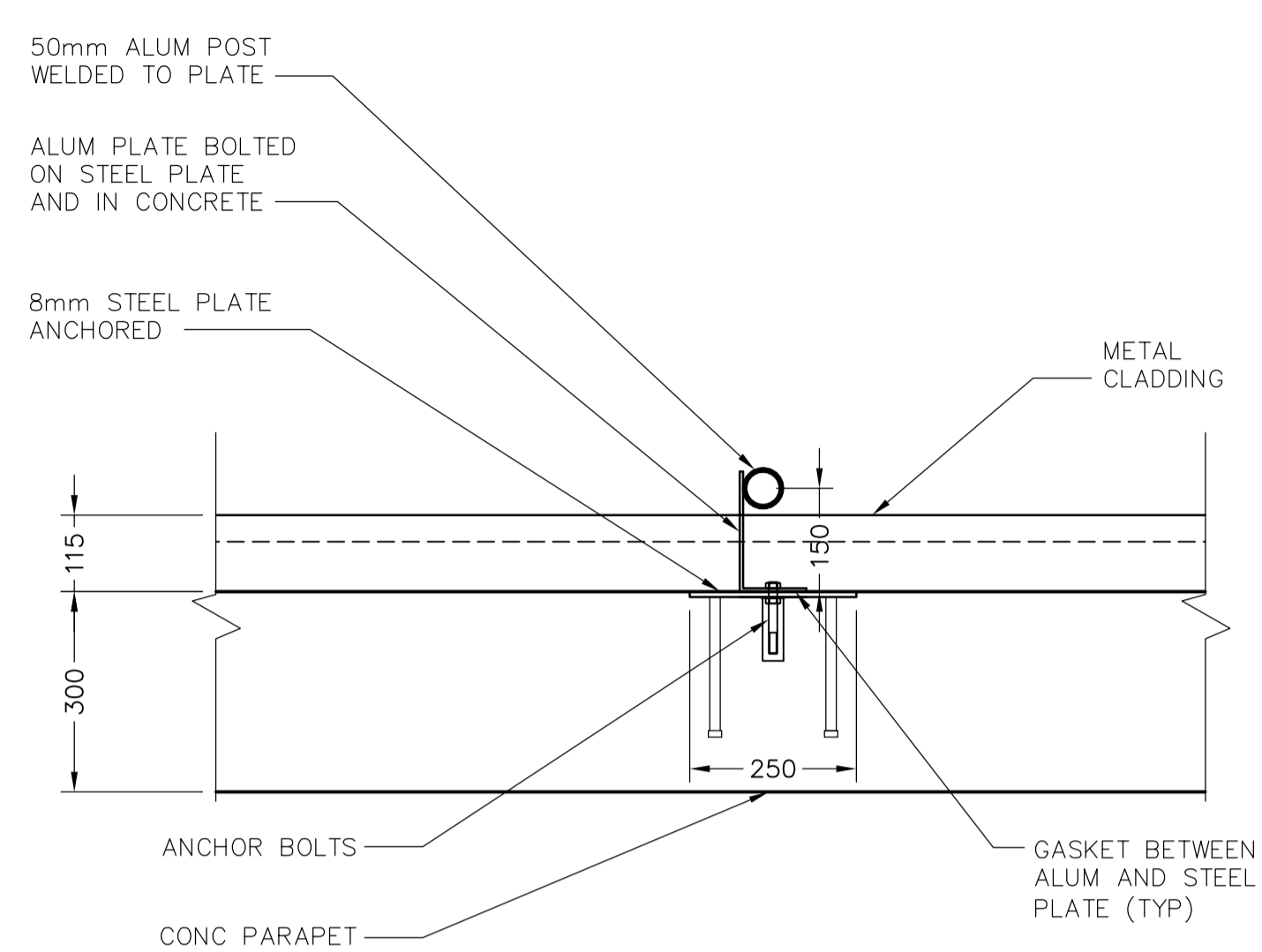
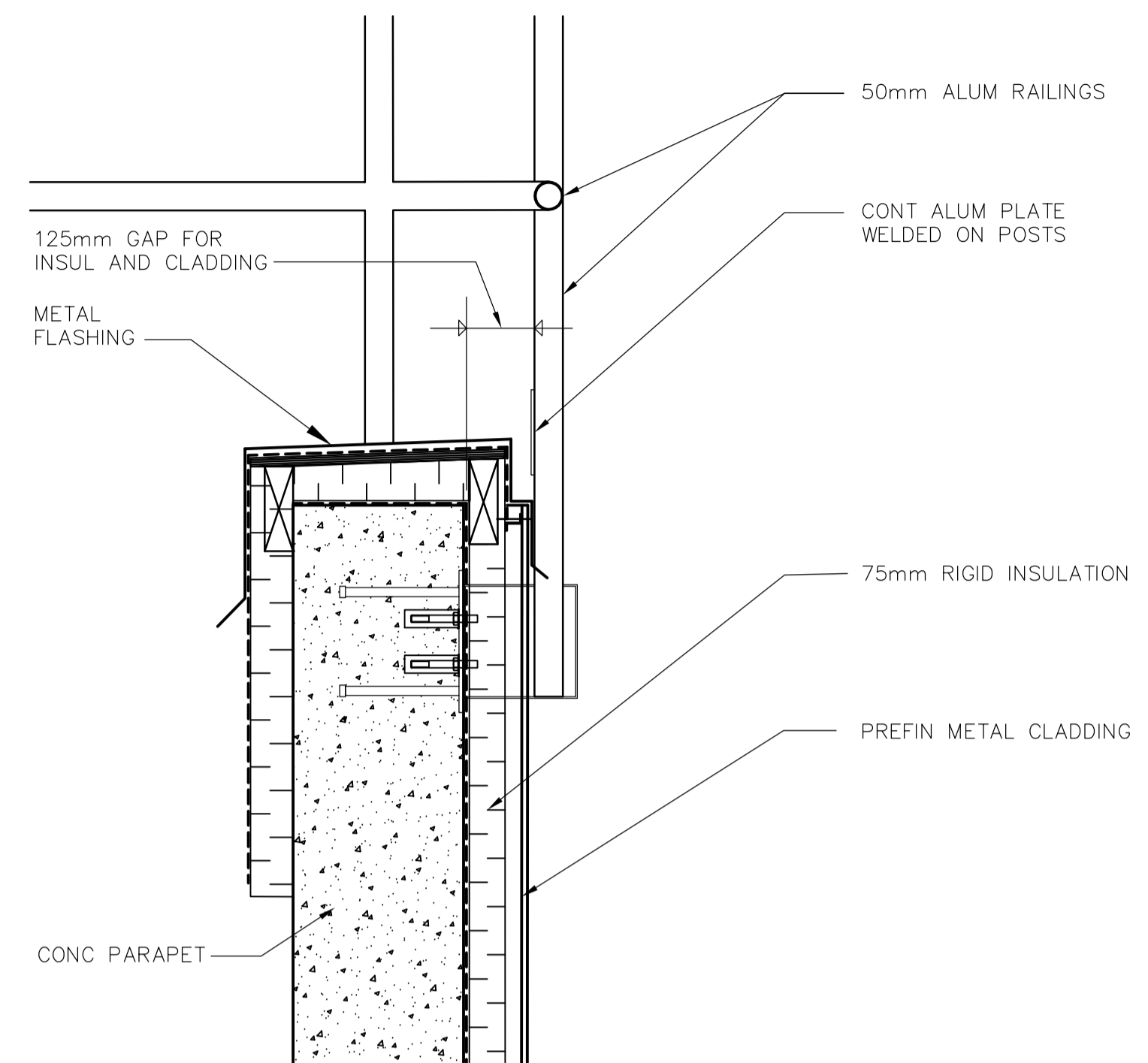


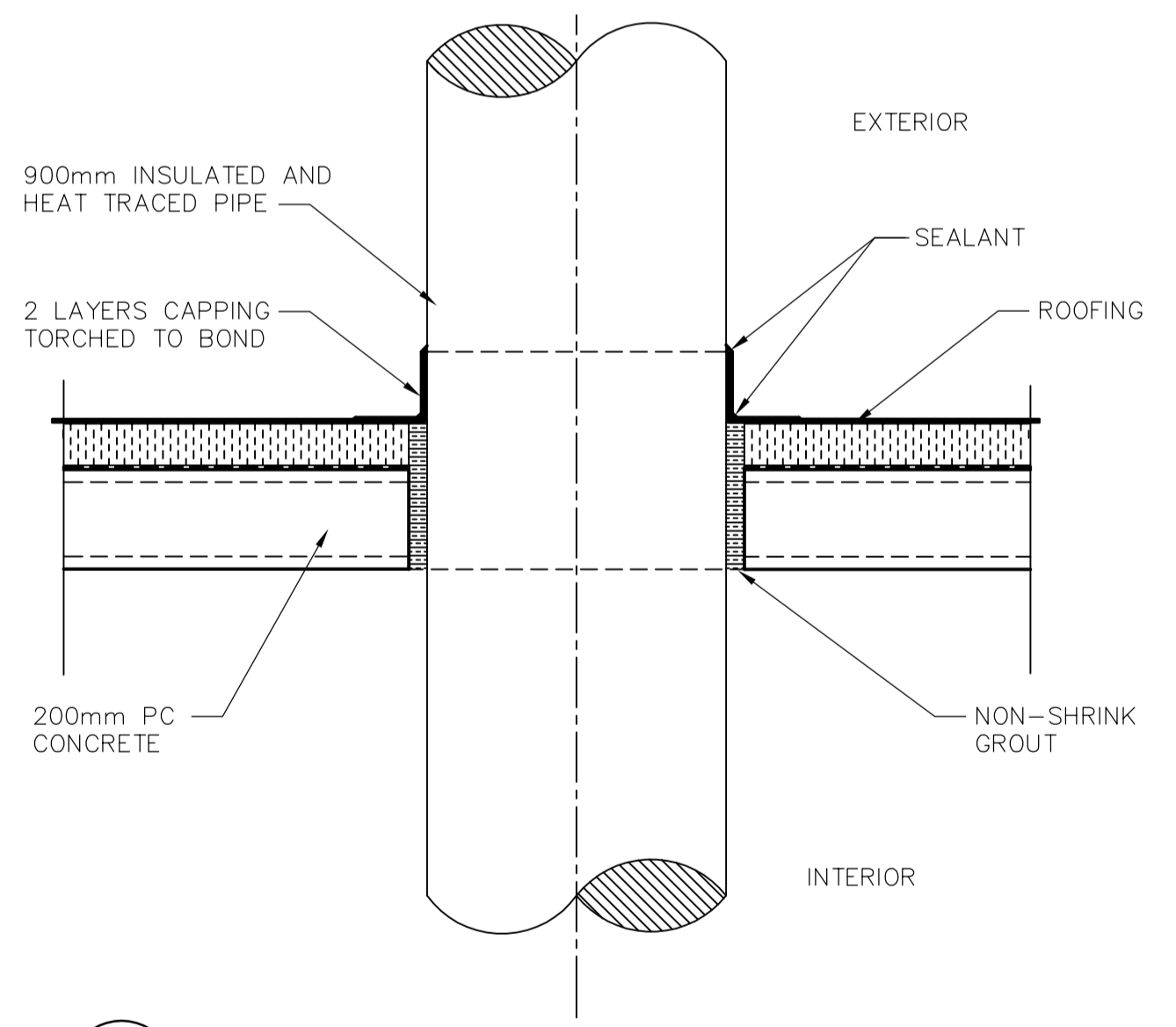
1 INTERIOR DOOR SECTION DETAIL  
A1.02 1:10



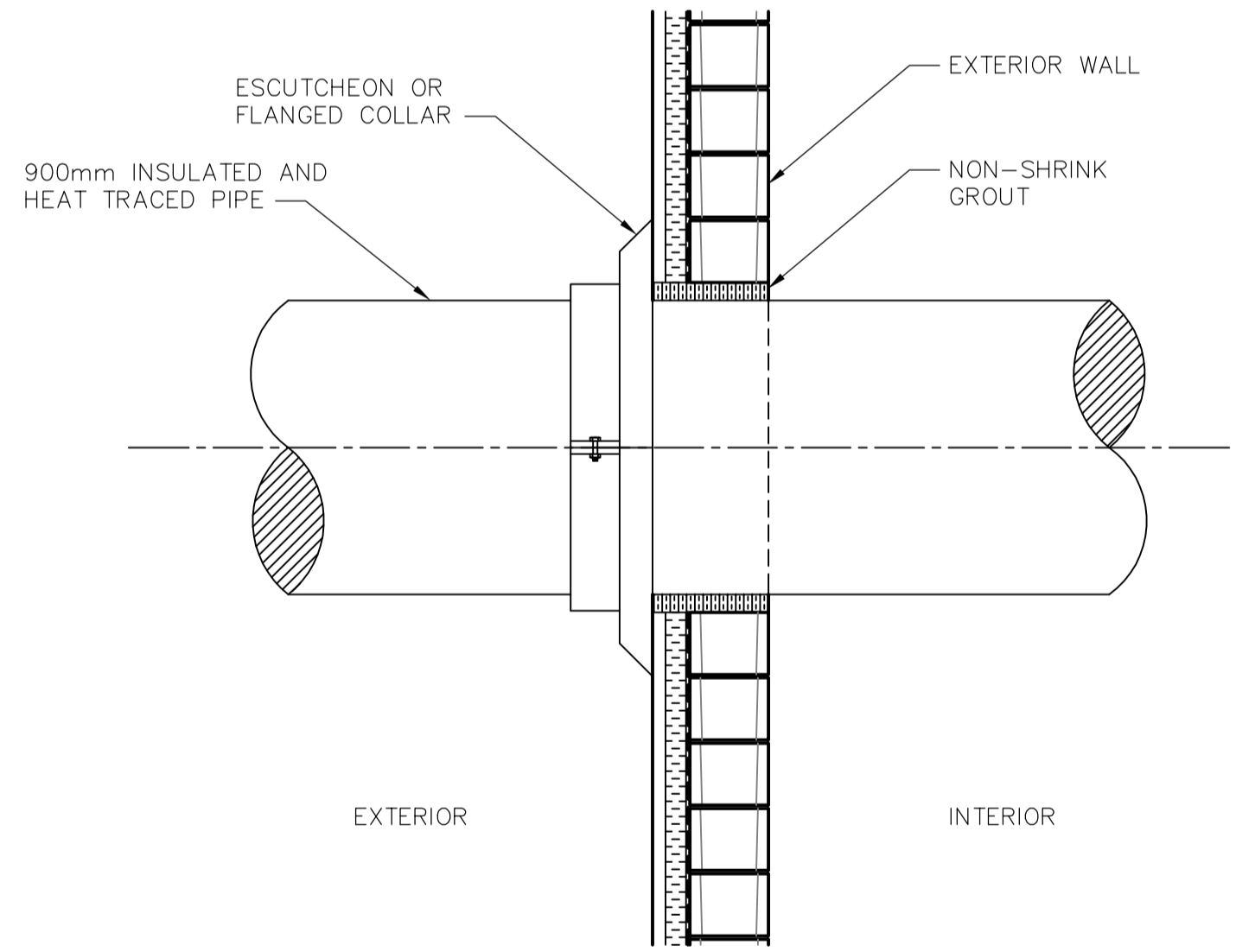
4 ALUM RAILING CONNECTION DETAIL-PLAN  
A3.01 1:10



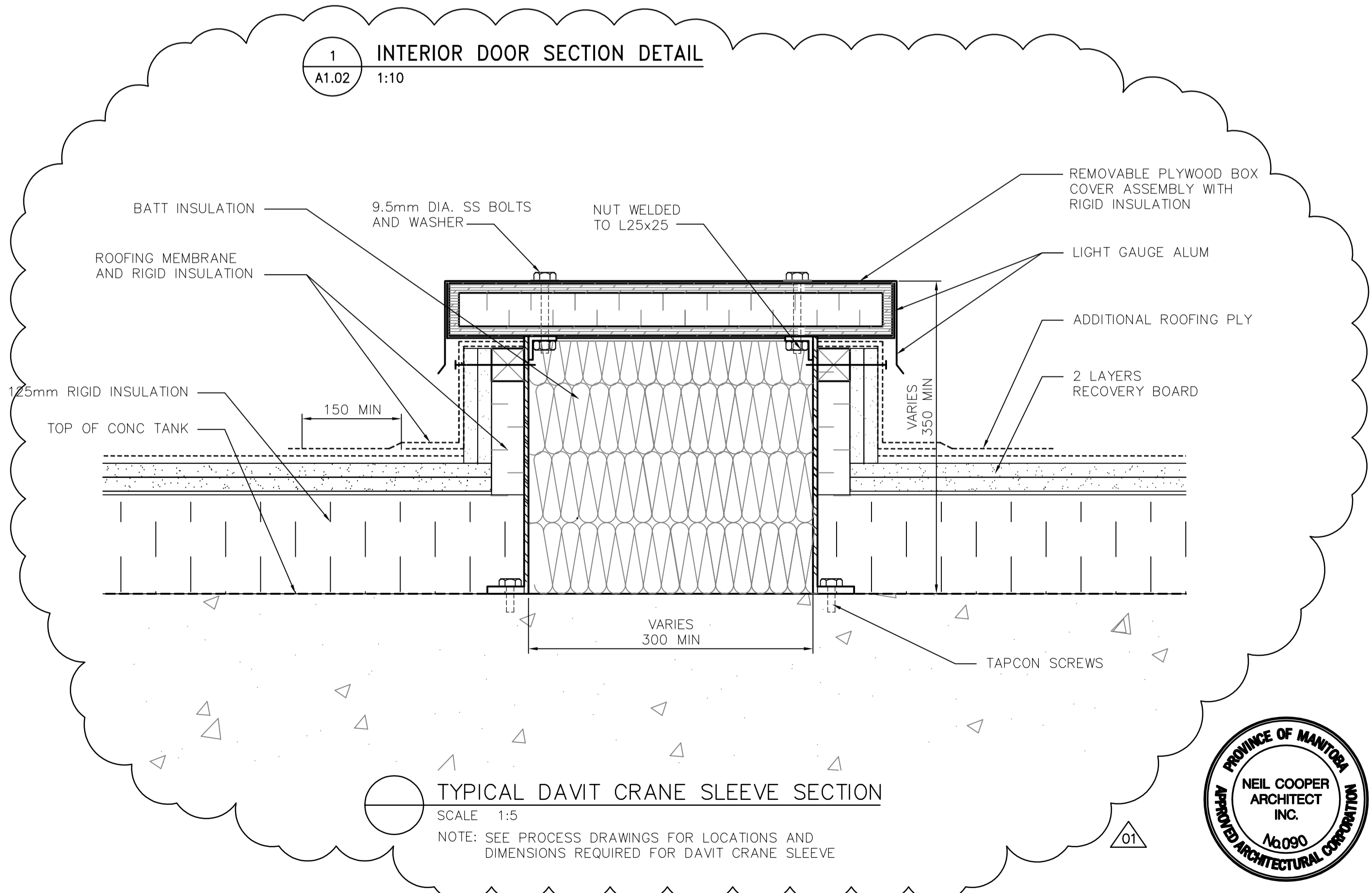
5 ALUM RAILING CONNECTION DETAIL-SECTION  
A3.01 1:10



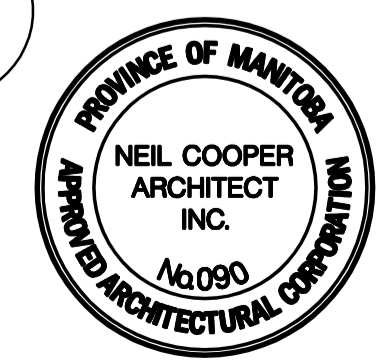
2 ROOF PIPE PENETRATION DETAIL (TYP)  
A3.02 1:20



3 WALL PIPE PENETRATION DETAIL (TYP)  
A1.01 1:20



TYPICAL DAVIT CRANE SLEEVE SECTION  
SCALE 1:5  
NOTE: SEE PROCESS DRAWINGS FOR LOCATIONS AND DIMENSIONS REQUIRED FOR DAVIT CRANE SLEEVE



B.M. ELEV.		 A Tyco International Ltd. Company		ENGINEER'S SEAL		 THE CITY OF WINNIPEG WATER AND WASTE DEPARTMENT ENGINEERING DIVISION	
				ORIGINAL SIGNED BY N. COOPER 2006/05/15			
DESIGNED BY NC		CHECKED BY LK		CONSULTANT DRAWING NO. A4.03		SHEET OF	
DRAWN BY AL		APPROVED BY JEH		RELEASED FOR CONSTRUCTION BY K. MARTENS		CITY DRAWING NUMBER	
HOR. SCALE: AS NOTED		VERTICAL SCALE:					
NO. REVISIONS		DATE BY		DATE			
01 291-2006 ADDENDUM 6		06/07/26 AL		2006/03/21			
00 ISSUED FOR TENDER		06/05/15 AL		2006/05/15			