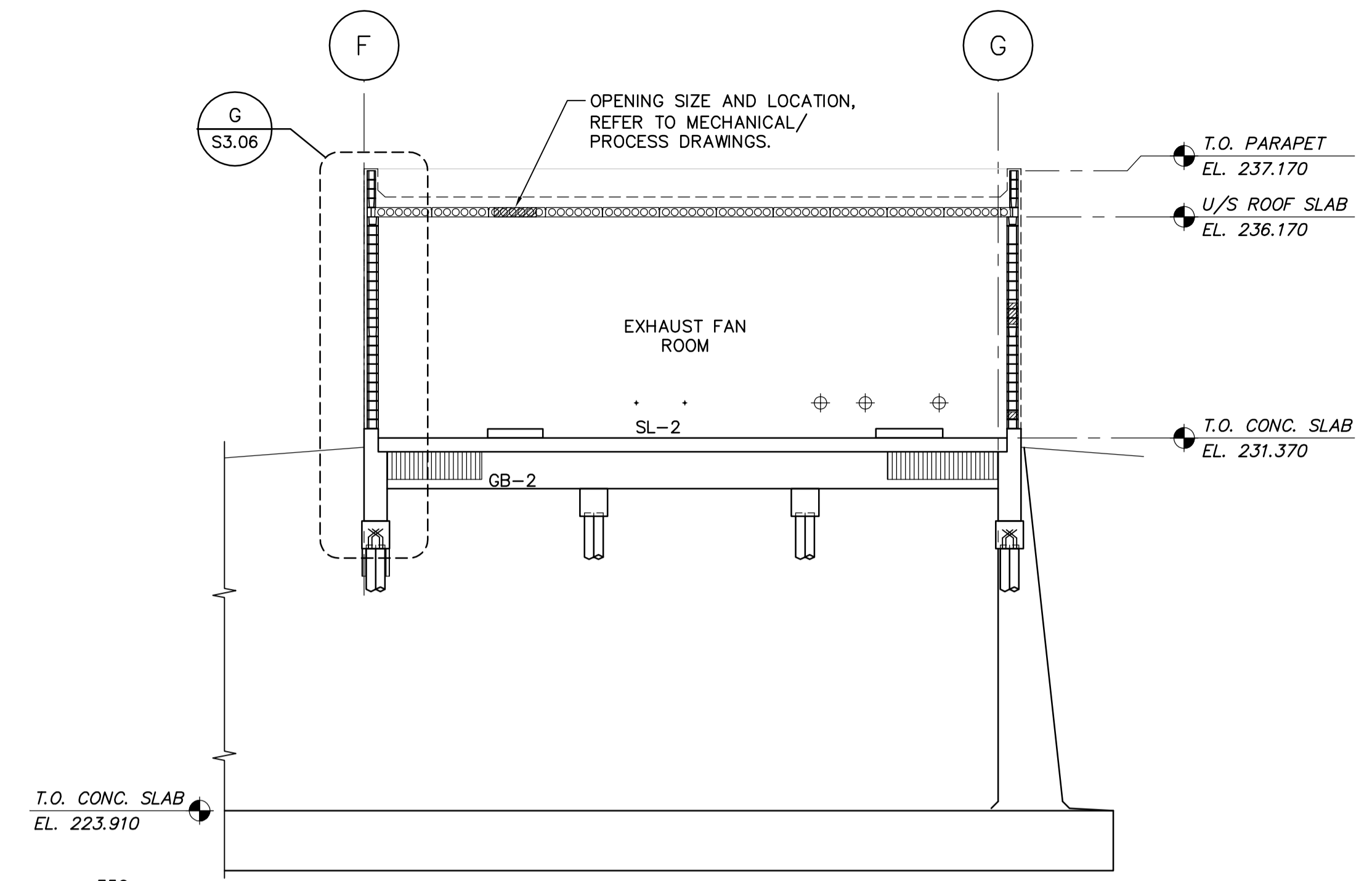
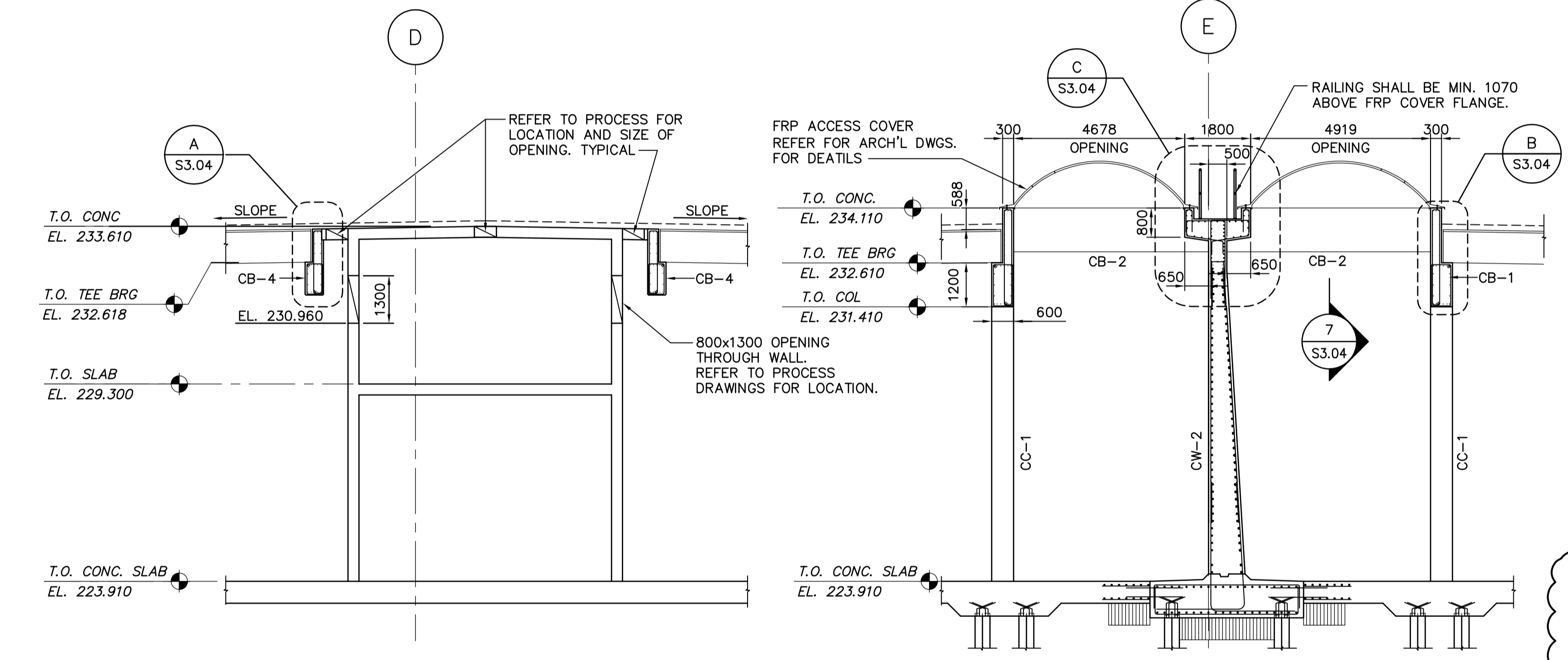


1 SECTION
S2.03 SCALE 1:125

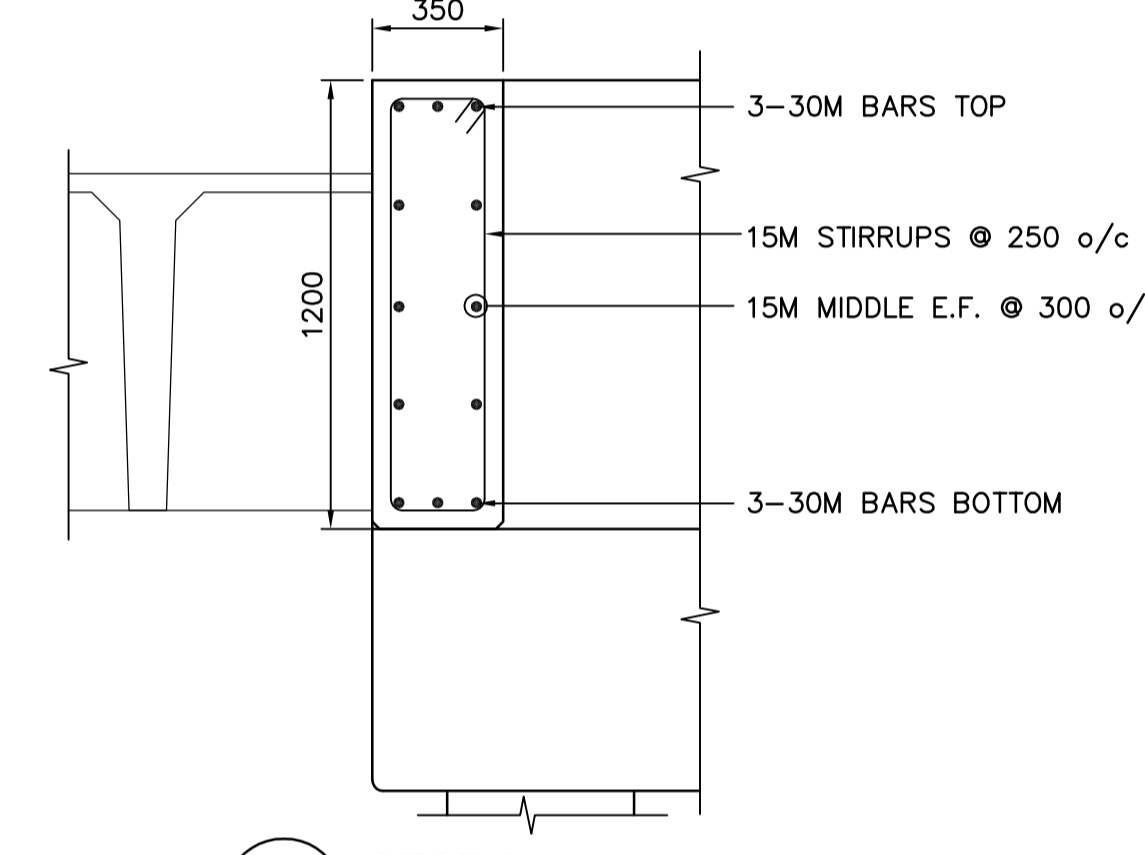


2 SECTION
S2.03 SCALE 1:125

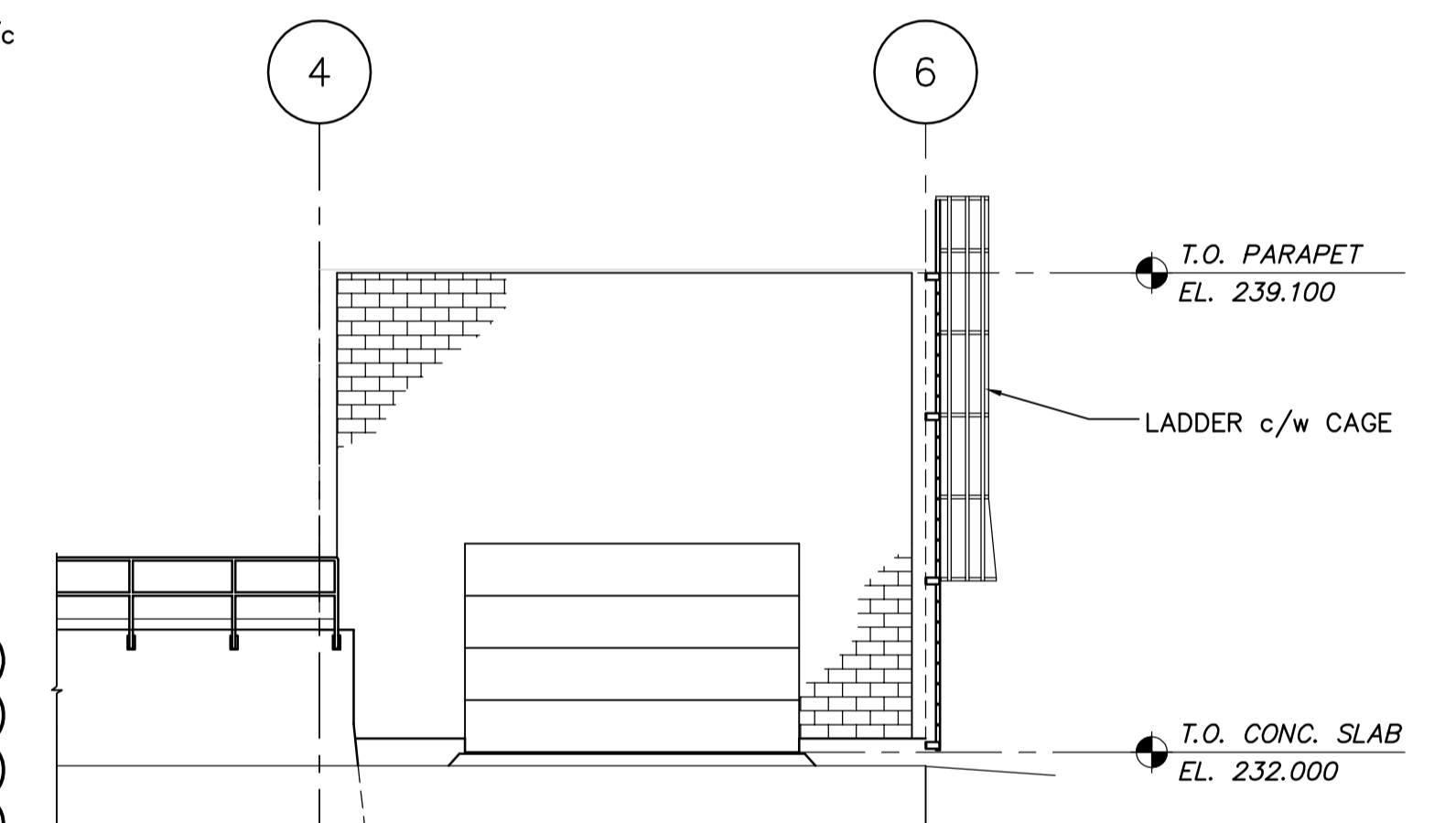


3 SECTION
S2.03 SCALE 1:100

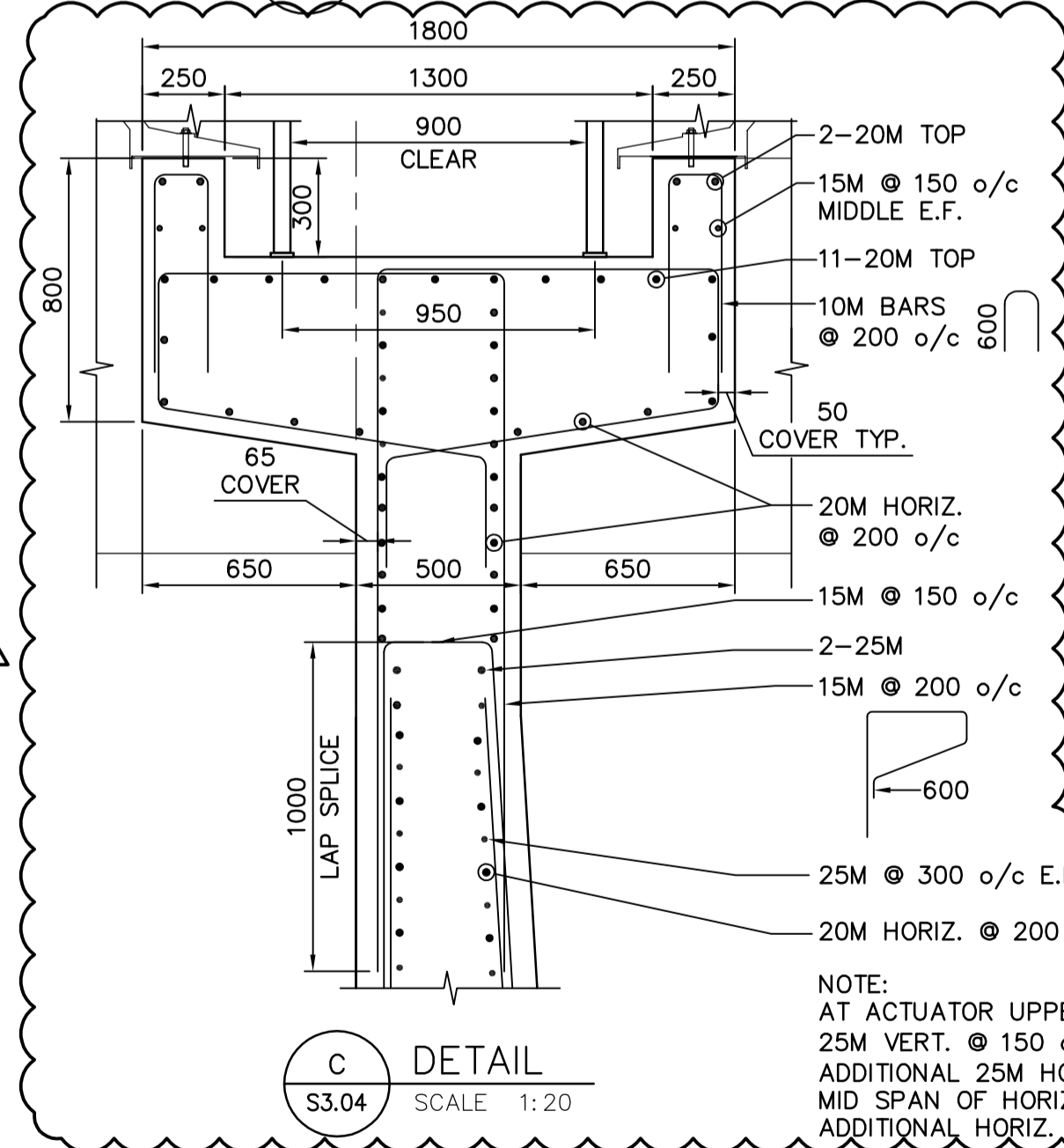
5 SECTION
S2.03 SCALE 1:100



7 SECTION
S3.04 SCALE 1:20

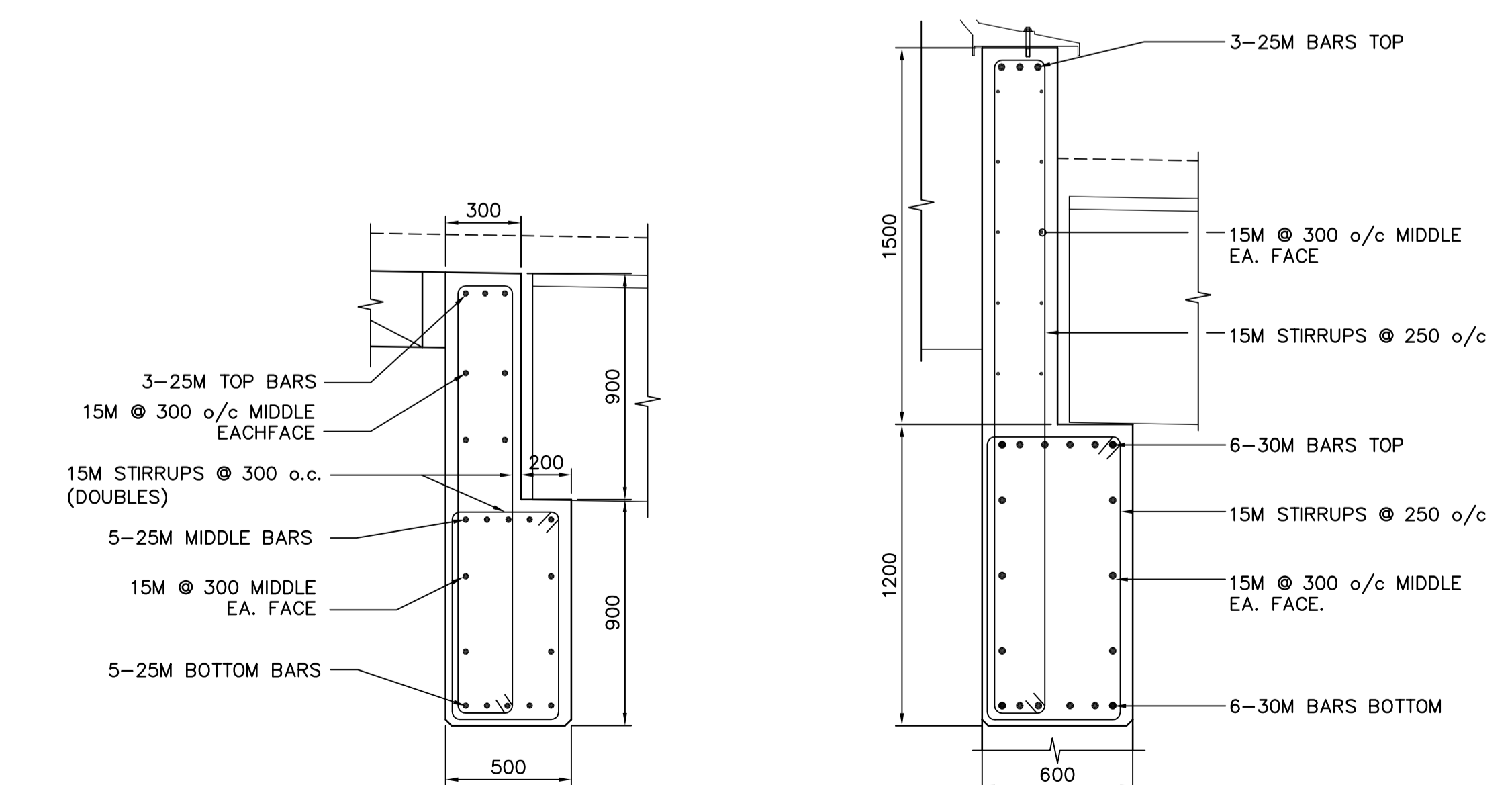


6 PARTIAL ELEVATION
S2.03 SCALE 1:100



C DETAIL
S3.04 SCALE 1:20

NOTE:
AT ACTUATOR UPPER SUPPORT PROVIDE
25M VERT. @ 150 o/c E.F. FOR 7M WIDTH
ADDITIONAL 25M HORIZ. @ 200 o/c AT
MID SPAN OF HORIZ. WALL REINF.
ADDITIONAL HORIZ. REINF. 7M LONG



A DETAIL
S3.04 SCALE 1:20

B DETAIL
S3.04 SCALE 1:20

<p>Certificate of Authorization Earth Tech Canada Inc. No. 730 Expiry: April 30, 2007</p>	B.M. ELEV.	<p>A Tyco International Ltd. Company</p>	ENGINEER'S SEAL	<p>THE CITY OF WINNIPEG WATER AND WASTE DEPARTMENT ENGINEERING DIVISION</p>	
	DESIGNED BY: LLR		CHECKED BY: GGP		ORIGINAL SIGNED BY: L.L. RIDING
	DRAWN BY: WDB		APPROVED BY: JEH		2006/05/15
	SCALE: AS NOTED		RELEASED FOR CONSTRUCTION BY: K. MARTENS		CONSULTANT DRAWING NO. S3.04
01 291-2006 ADDENDUM 6 06/07/26 CMF	DATE: 2006/02/01	DATE: 2006/05/15	NEWPCC CENTRATE NUTRIENT TREATMENT NITROGEN REMOVAL FACILITY	CITY FILE NUMBER	
00 ISSUED FOR TENDER 06/05/15 WDB			STRUCTURAL SBR BUILDING BUILDING SECTIONS & ELEVATION	SHEET OF	
NO. REVISIONS	DATE	DATE		CITY DRAWING NUMBER	
				1-0101C-A-S0005-001-01D	