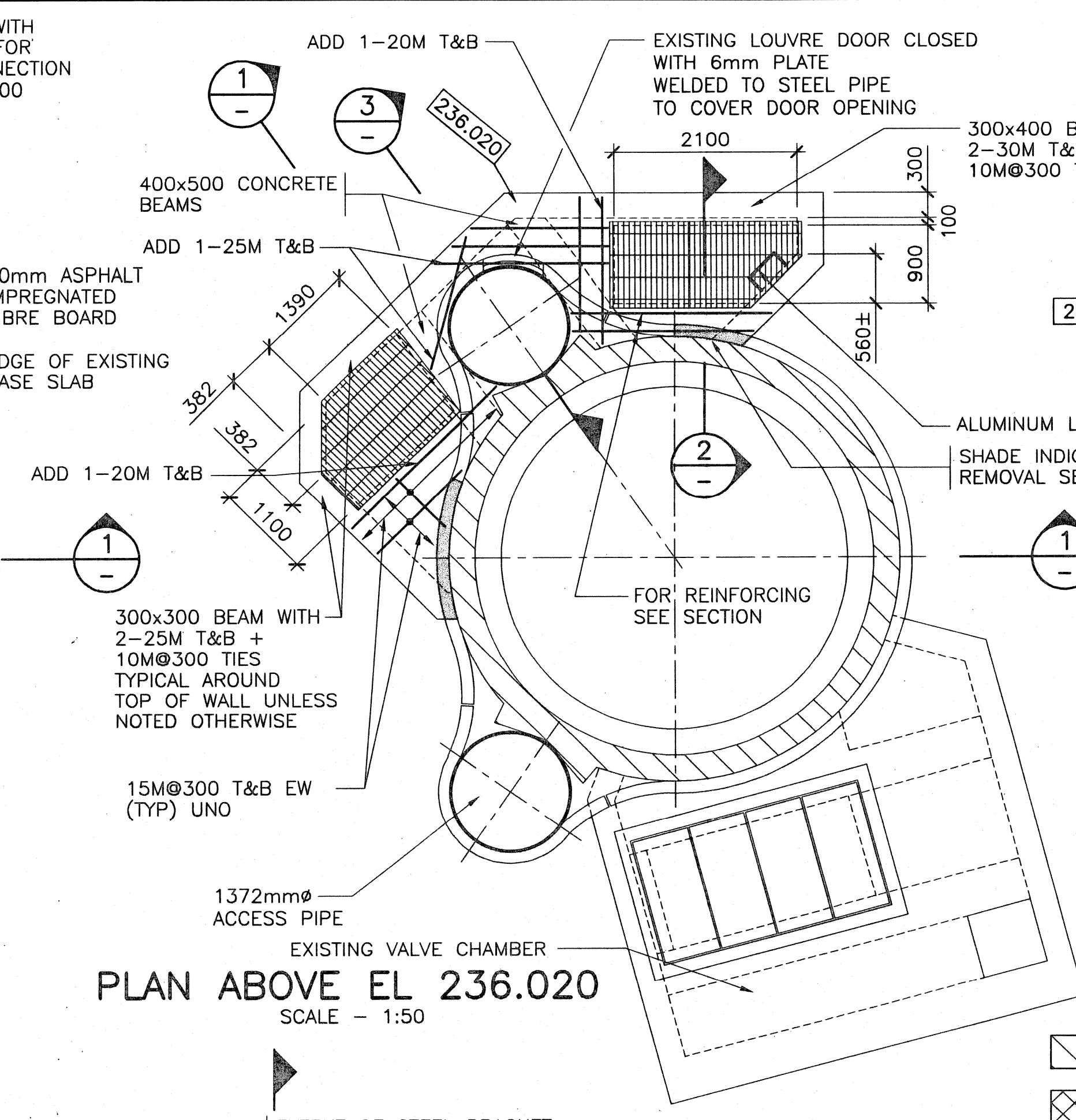


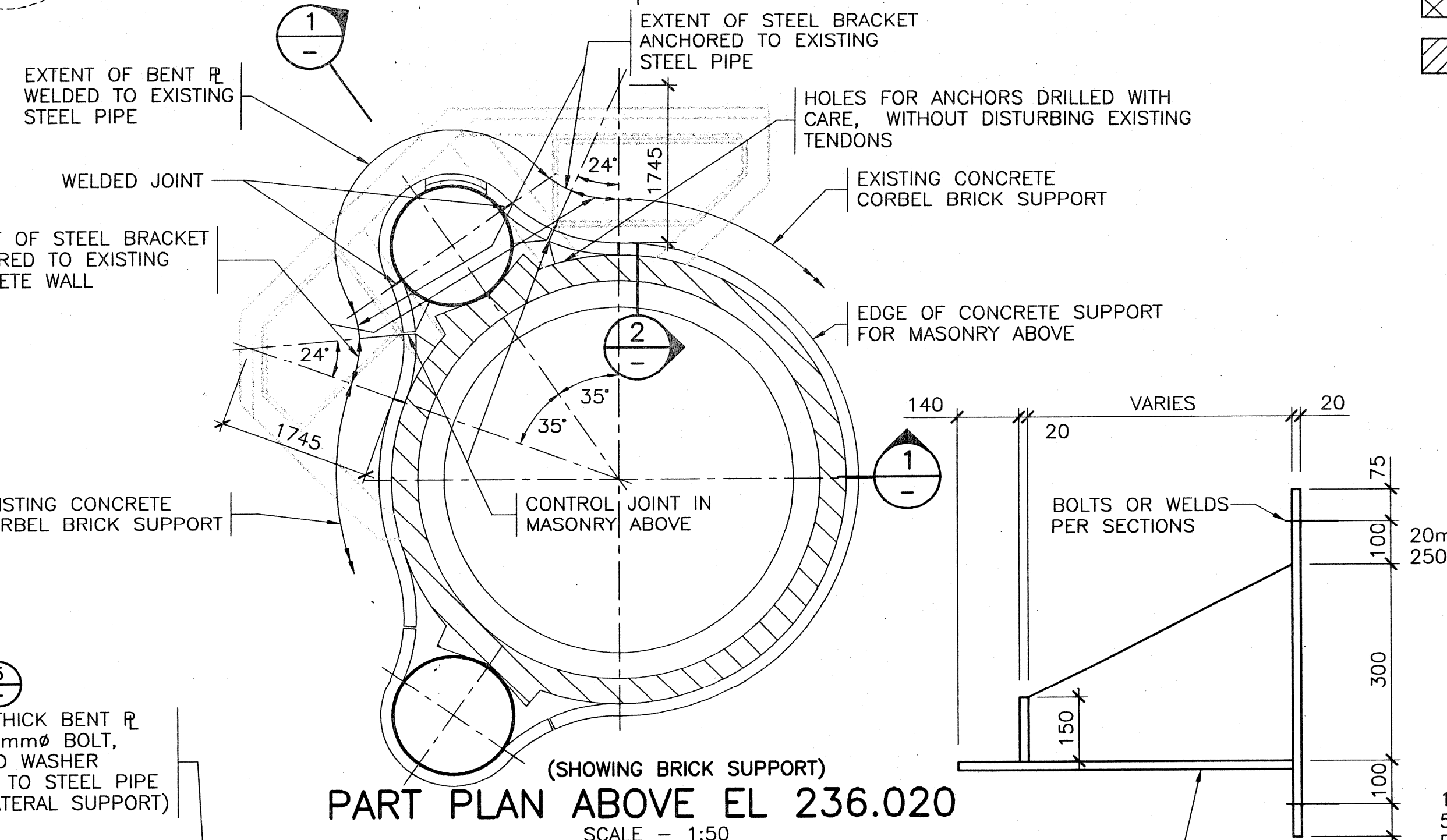
PLAN ABOVE EL 230.830  
SCALE - 1:50

SEQUENCE OF CONSTRUCTION:

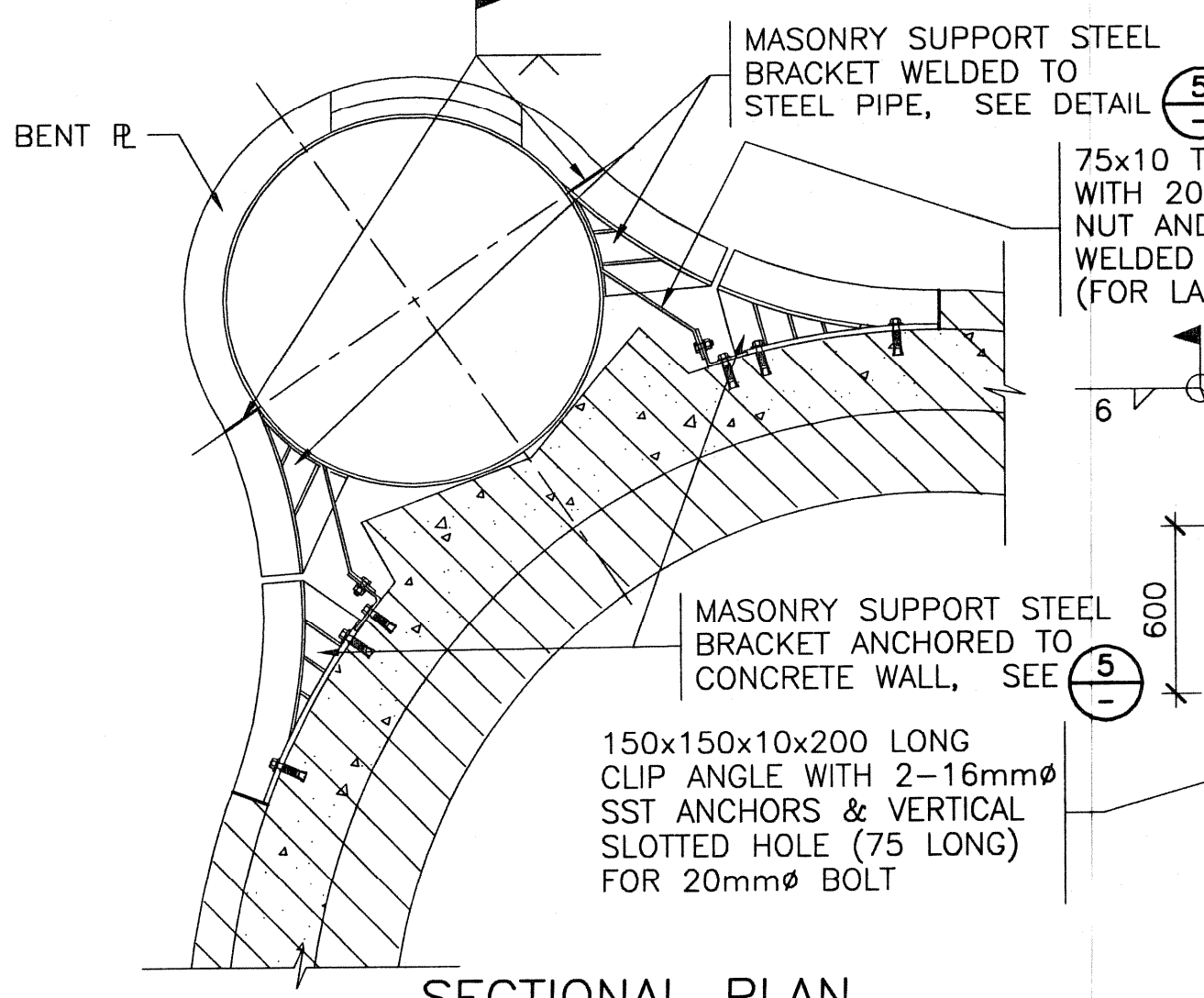
1. BRICK REMOVED LOCALLY IN SECTIONS 800mm WIDE MAX AT THE TOP OF NEW CHAMBER ROOF SLAB. (EL 236.145±) ALSO CONCRETE REMOVED LOCALLY BELOW NEW SUPPORT ANGLES TO FACILITATE WELDING UNDERSIDE OF ANGLES.
2. NEW SUPPORT FOR BRICK INSTALLED.
3. EXISTING BRICK, FLASHING AND WEEPHOLES REINSTALLED.
4. WHEN MASONRY GROUT ACHIEVED REQUIRED DESIGN STRENGTH STEPS 1 TO 3 ARE REPEATED UNTIL NEW TEMPORARY BRICK SUPPORT COMPLETED AROUND THE PIPE.
5. EXCAVATION DONE FOR NEW CHAMBER.
6. EXISTING WALLS BELOW NEW BRICK SUPPORT REMOVED LOCALLY ONLY TO ALLOW FOR CONSTRUCTION OF BEAMS AND NEW STRUCTURE.
7. NEW CHAMBER CONSTRUCTED.
8. GROUTING DONE UNDER THE BRICK SUPPORT ANGLE WITH NON SHRINK, NON FERROUS GROUT.
9. AFTER NEW STRUCTURE AND GROUT UNDER MASONRY SUPPORT ACHIEVED DESIGN STRENGTH, EXISTING PIPE AND CONCRETE BELOW BOTTOM OF NEW CONCRETE BEAM CUT AND REMOVED.



PLAN ABOVE EL 236.020  
SCALE - 1:50

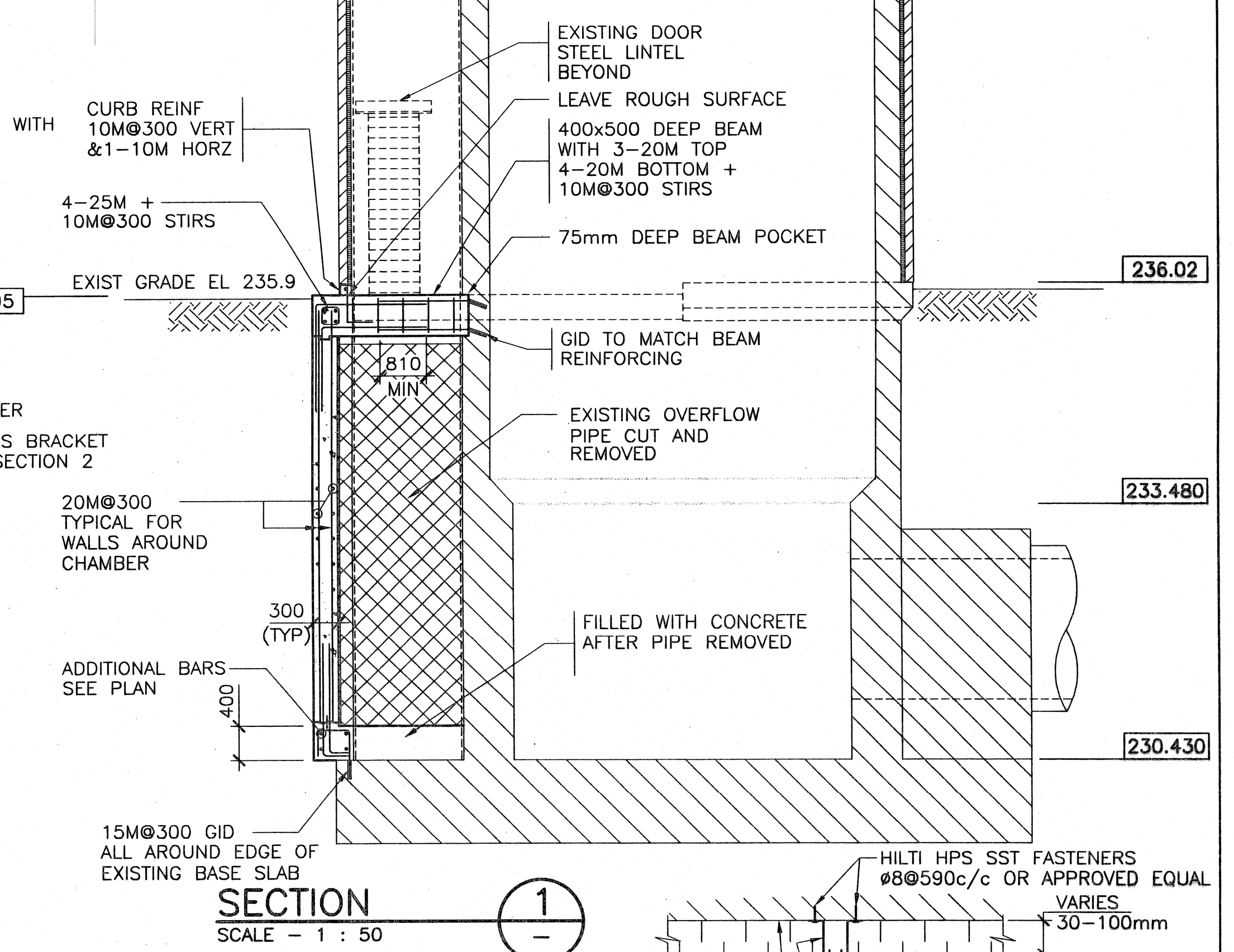


PART PLAN ABOVE EL 236.020  
SCALE - 1:50



SECTIONAL PLAN  
BRICK SUPPORT DETAIL  
SCALE - 1:25

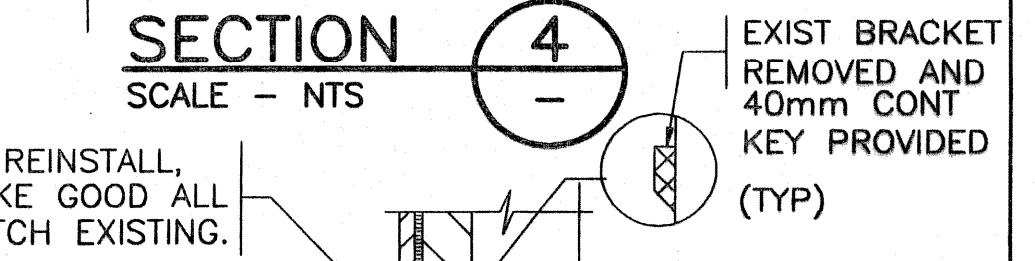
These record documents have been prepared based on information provided by others. The design professional has not verified the accuracy and/or the completeness of this information and shall not be responsible for any errors or omissions which may be incorporated herein as a result.



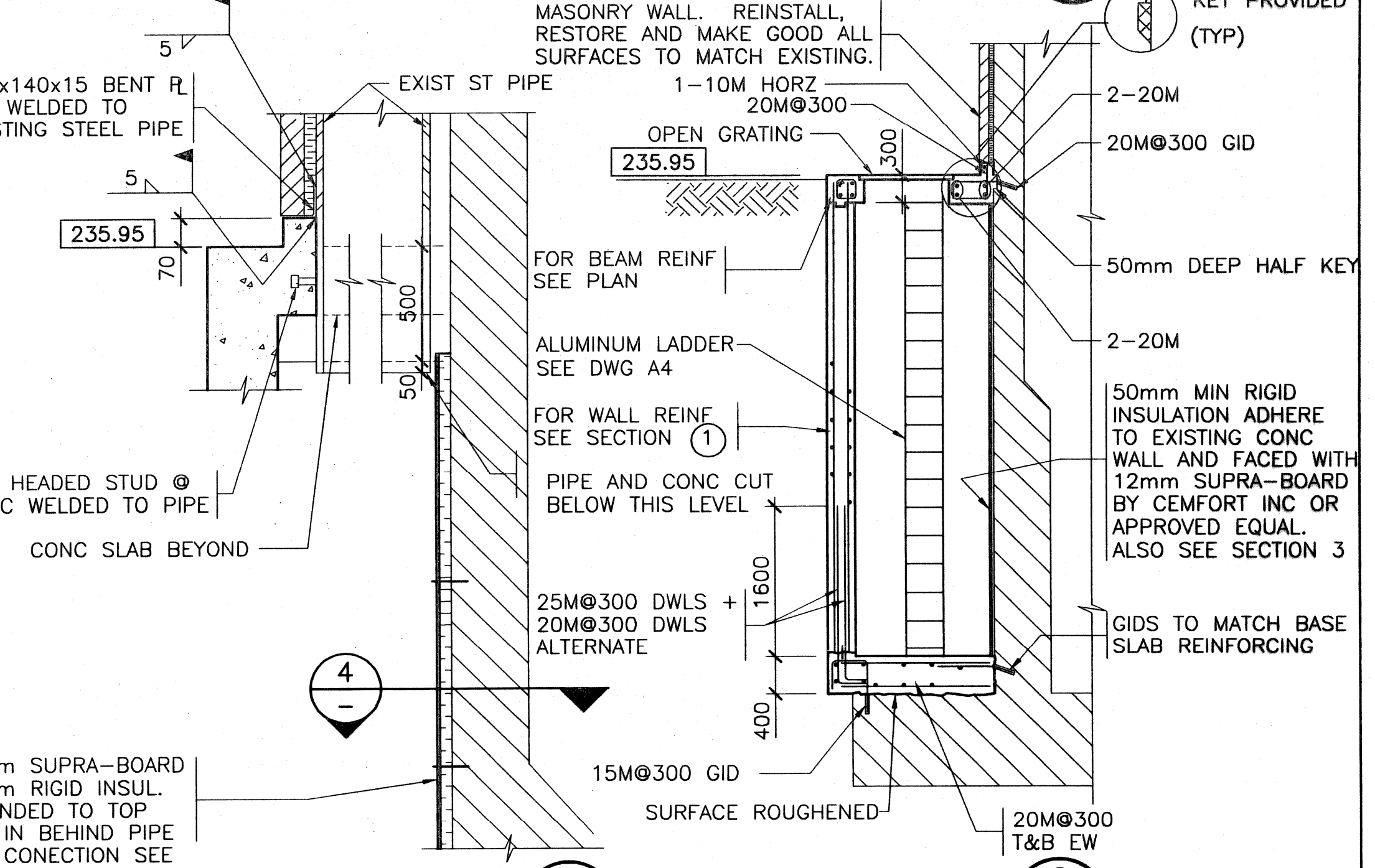
SECTION 1  
SCALE - 1 : 50

LEGEND

- EXISTING CONCRETE
- EXISTING CONCRETE CUT AND REMOVED
- MASONRY WALL



SECTION 4  
SCALE - NTS



SECTION 3  
SCALE - 1 : 20

SECTION 2  
SCALE - 1 : 50

DETAIL 5  
SCALE - 1 : 10

FOR ABBREVIATIONS SEE DWG A1

B.M. ELEV.	DESIGNED BY CK	CHECKED BY ARP, RPP	ENGINEER'S SEAL	THE CITY OF WINNIPEG WORKS AND OPERATIONS DIVISION WATER AND WASTE DEPARTMENT	CITY DRAWING NUMBER D-4356B
R1 RECORD DRAWING NO. REVISIONS	GRO DRAWN BY	AS NOTED HOR. SCALE AS NOTED VERTICAL	1996.08.12 DATE	1996.08.12 DATE	1996.08.12 DATE
SHOAL LAKE AQUEDUCT SURGE TANK BRANCH I STRUCTURE PLANS AND SECTIONS					
S4 REV. R1					