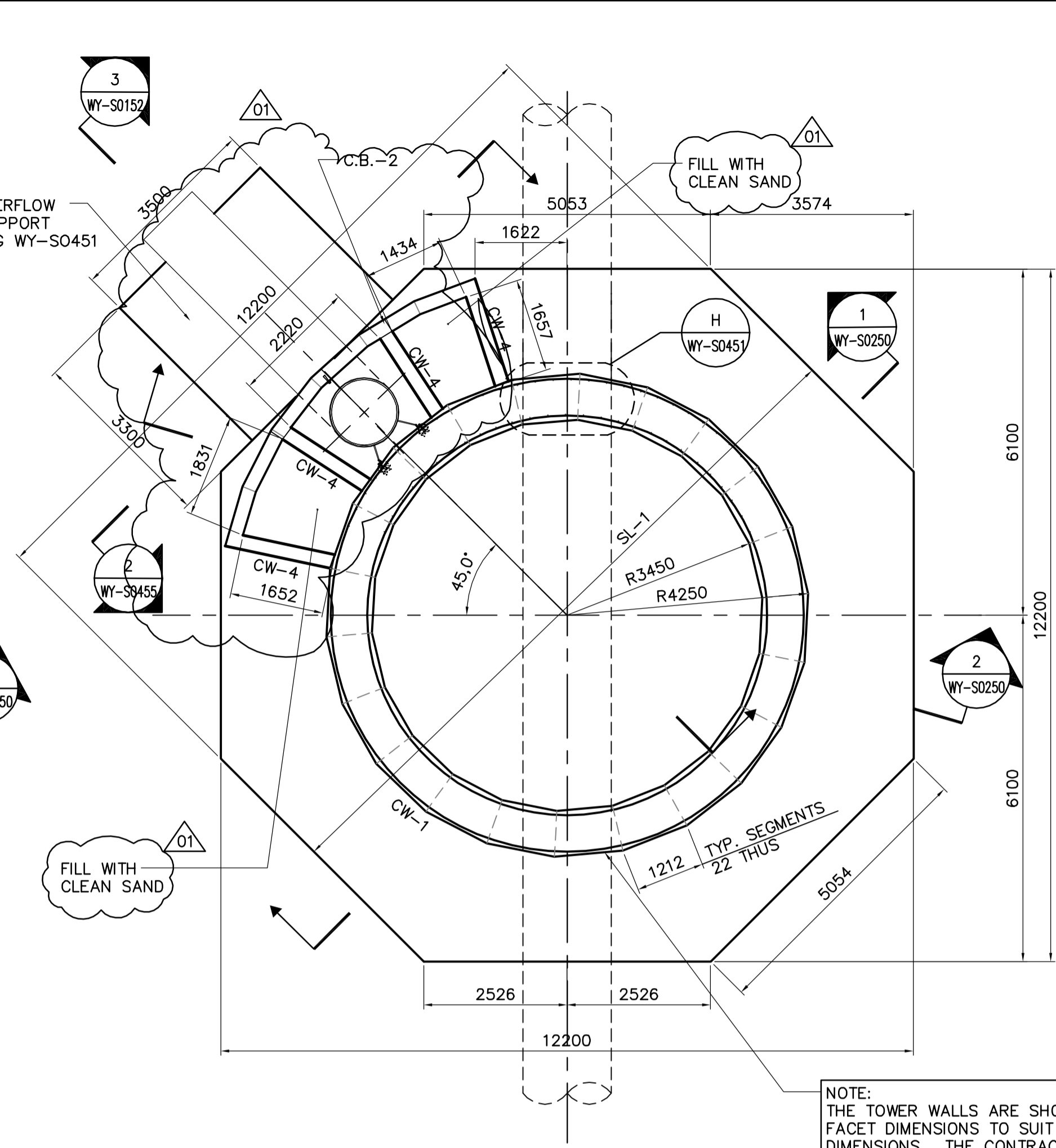
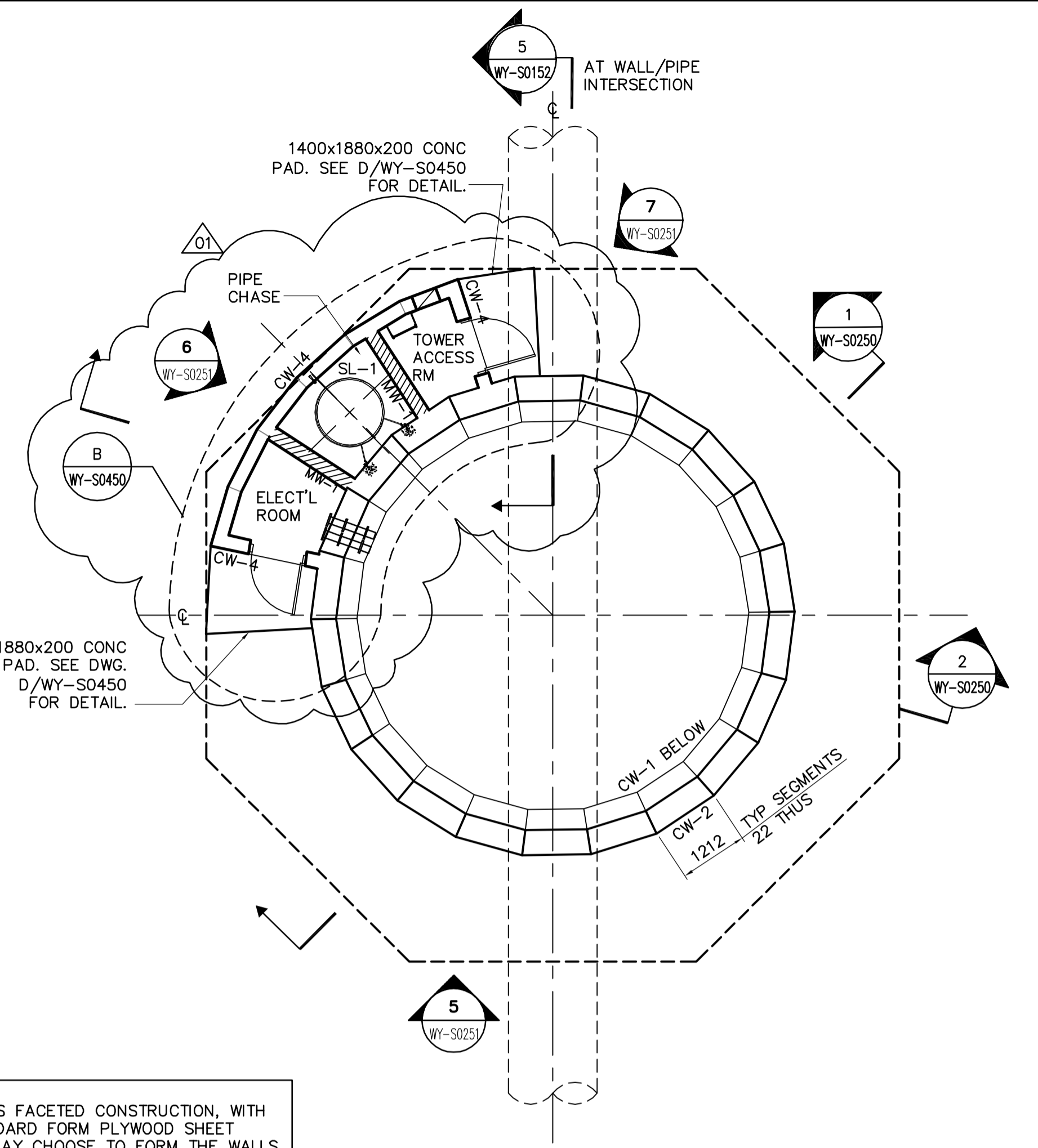


**PILING AND FOOTING PLAN**  
1:75



**FOUNDATION PLAN**  
1:75

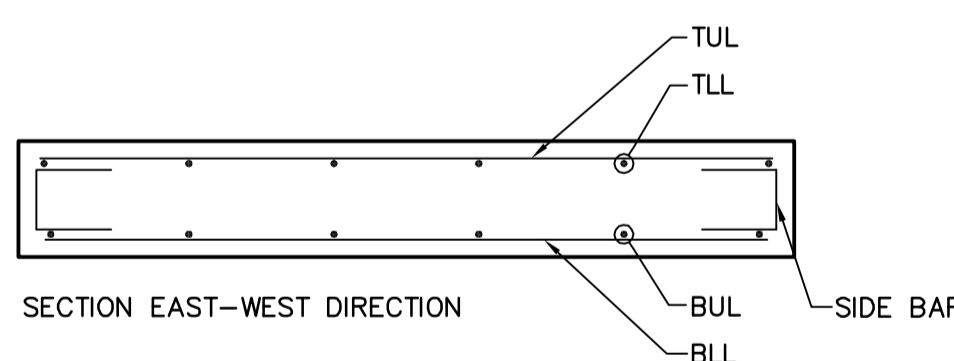


**MAIN ENTRY PLAN @ EL. 236.500**  
1:75

NOTE:  
1. ALL RADIUS MEASURED TO CHORD POINTS

CONCRETE SLAB SCHEDULE					
MARK	DEPTH	REINFORCING			REMARKS
		TOP	BOTTOM	ADDITIONAL	
SL-1	1000	25M @ 200 o.c. E.W.	25M @ 200 o.c. E.W.	25M @ 300 DWLS 15M SIDE	SEE A/WY-S0450
SL-2	250	15M @ 300 o.c. E.W.	15M @ 300 o.c. E.W.		
SL-3	400	25M @ 300 o/c E.W.	25M @ 300 o/c E.W.	REFER TO PLAN & DETAIL	
SL-4	350	20M @ 300 o/c E.W.	20M @ 300 o/c E.W.	REFER TO PLAN & DETAIL	

LEGEND:  
TUL - TOP UPPER LAYER  
TLL - TOP LOWER LAYER  
BUL - BOTTOM UPPER LAYER  
BLL - BOTTOM LOWER LAYER



MASONRY WALL SCHEDULE				
MARK	SIZE	REINFORCING	TYPE	REMARKS
MW-1	200	15M VERT. EACH CORE	CONC.	FILL ALL CORES w/ 25 MPA CONC.

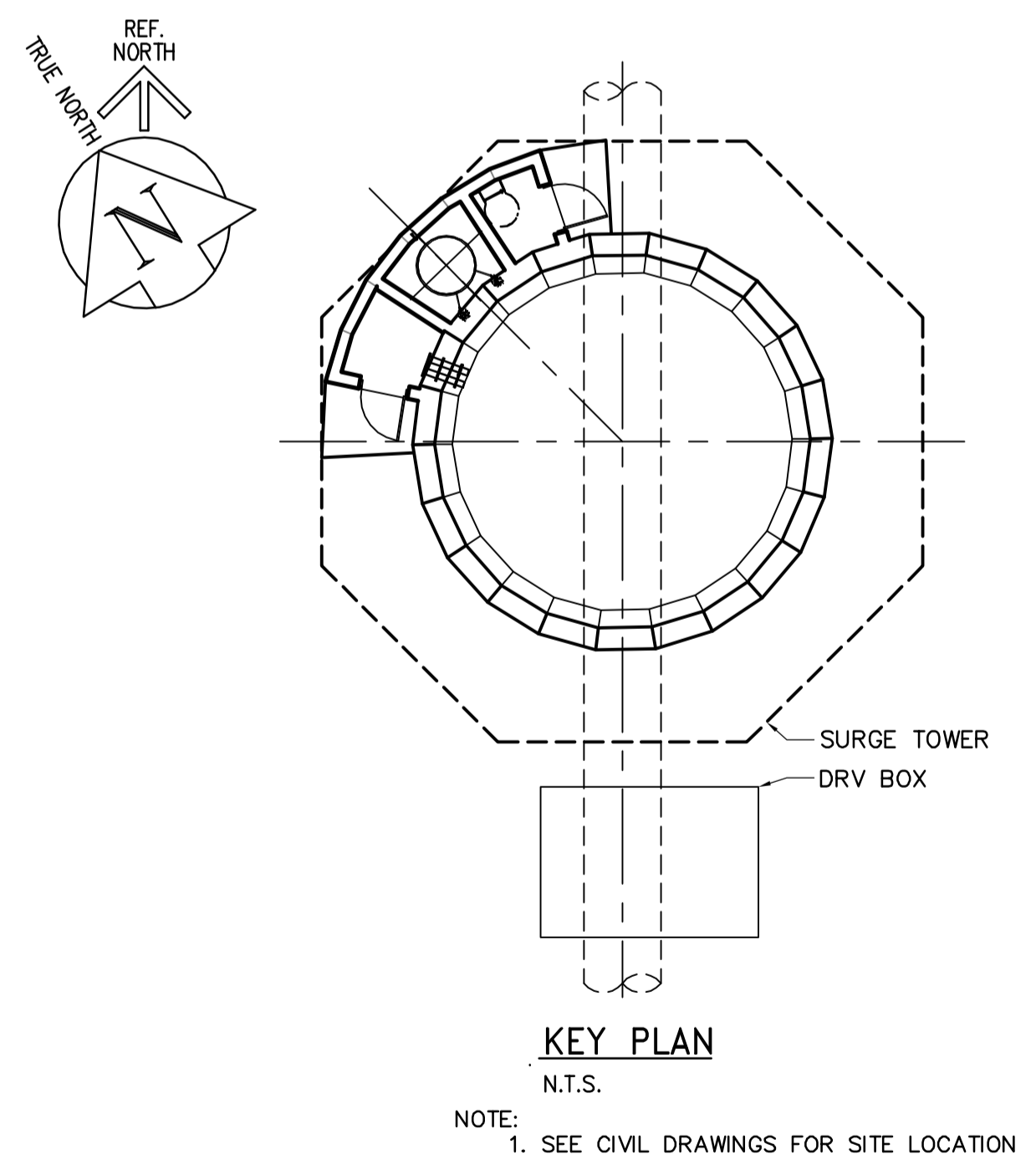
PRE-CAST PILE SCHEDULE							
MARK	DIAMETER	REINFORCING			LENGTH	CUT-OFF	REMARKS
		VERTICAL	TIES	DOWELS			
P-1	400				230.575	TYPICAL UNLESS NOTED OTHERWISE	
P-2	400				230.900		

CONCRETE COLUMN SCHEDULE					
MARK	SIZE	REINFORCING			REMARKS
		VERT.	TIES	ADDITIONAL	
CC-1	440x1110	10-25M	15M @ 300 E.W.		
CC-2	440x2200	10-25M	15M @ 300 E.W.		

NOTE:  
1. OFFSET OR ALTERNATE INSIDE VERTICAL REINF WITH OUTSIDE REINF BY 125.  
2. 3-REINF SPLICES ALLOW ON HORIZONTAL REINF. ROTATE SPLICE SO THAT OFFSET WILL OCCUR.

CONCRETE WALL SCHEDULE						
MARK	WIDTH	HEIGHT	REINFORCING			REMARKS
			VERTICAL	HORIZONTAL	ADDITIONAL	
CW-1	800		25M @ 300 E.F.	25M @ 300 E.F.		SEE NOTE 1 & 2
CW-2	440		25M @ 300 E.F.	25M @ 300 E.F.		SEE NOTE 2
CW-3	300		20M @ 300 E.F.	20M @ 300 E.F.		
CW-4	250		15M @ 300 E.F.	15M @ 300 E.F.	2-15M @ 300 o.c. DOWELS	

CONCRETE BEAM SCHEDULE							
MARK	WIDTH	DEPTH	REINFORCING				REMARKS
			TOP	MIDDLE	BOTTOM	STIRRUPS	
CB-1	400	600	6-25M	2-25M	3-25M	10M @ 400 o/c	
CB-2	350	600	3-25M	-	3-25M	15M @ 200 o/c	15M DOWELS @ 300



**KEY PLAN**  
N.T.S.

 <b>APEGM</b> Certificate of Authorization Earth Tech Canada Inc. No. 730 Expiry: April 30, 2007	B.M. ELEV.	 <b>CH2M HILL</b> Frederickson Cooper ARCHITECTS	 <b>EarthTech</b> A Tech International Ltd. Company	ENGINEER'S SEAL	 <b>THE CITY OF WINNIPEG</b> WATER AND WASTE DEPARTMENT ENGINEERING DIVISION	
	DESIGNED BY: FK			CHECKED BY: GGP		ORIGINAL SIGNED BY: F.A. KEMP
	DRAWN BY: WDB/KK			APPROVED BY: AHL		2006/05/03
	SCALE: AS NOTED			RELEASED FOR CONSTRUCTION BY: R. SOROKOWSKI		CITY FILE NUMBER
01 37-2006 ADDENDUM 1 06/05/24 NS 00 ISSUED FOR TENDER 06/05/03 WDB NO. REVISIONS DATE BY	DATE: 2006/01/13	DATE: 2006/05/03	WATER TREATMENT PLANT YARD PIPING AND VALVE CHAMBERS SURGE TOWER CONSTRUCTION	CONSULTANT DRAWING NO. WY-S0150 STRUCTURAL PLAN AND SCHEDULES AND DETAILS CITY DRAWING NUMBER 1-0601Y-A-S0150-001-010		