

DOOR SCHEDULE													
NO.	WIDTHxHEIGHTxTHICKNESS	DOOR				FRAME					HARDWARE GROUP	RATING (HR)	REMARKS
		TYPE	MAT.	FINISH	GLASS	MAT.	FINISH	TYPE	JAMB	HEAD			
101A	3000x3000	D3	-	GALV	-	STL	PNT	-	J3	H3	-	-	
101B	900x2150x45	D1	HM	PNT	-	HM	PNT	F1	J2	H2	2	-	
101C	2-900x2150x45	D2	HM	PNT	GWG	HM	PNT	F2	J1	H1	1	3/4H FR	
101D	900x2150x45	D1	HM	PNT	-	HM	PNT	F1	J2	H2	3	-	
101E	900x2150x45	D1	HM	PNT	-	HM	PNT	F1	J4	H4	2	-	
101F	900x2150x45	D1	HM	PNT	-	HM	PNT	F1	J4	H4	2	-	
101G	900x2150x45	D1	HM	PNT	-	HM	PNT	F1	J4	H4	2	-	
102A	900x2150x45	D1	HM	PNT	-	HM	PNT	F1	J2	H2	2	-	
102B	900x2150x45	D1	HM	PNT	-	HM	PNT	F1	J2	H2	3	-	

ABBREVIATIONS:

ALUM= ALUMINUM
 FR = FIRE RATING
 GYP BD = GYPSUM BOARD
 GWG = GEORGIAN WIRED GLASS
 HM = HOLLOW METAL
 MTL = METAL
 N/A = NOT APPLICABLE
 PNT = PAINTED
 PREFIN = PREFINISHED
 STL = STEEL
 TSG = TEMPERED SAFETY GLASS

HARDWARE SCHEDULE

GROUP 1 D101C (DOUBLE DOOR) (RATED)			
6 BUTT HINGES	TA 314 115x100mm NRP	McKINNEY	26D
1 LOCKSET	AU5407 x ASA	YALE (W/CONST CYL)	26D
2 FLUSH BOLTS	F65	STANDARD METAL	26D
2 ACOUSTIC WEATHERSTRIP	W29 1/6 + 2/7	KN CROWDER	CA
2 DOOR SWEEP	W245 - 900 & 600mm	KN CROWDER	CA
1 THRESHOLD	CT11 - 1800	KN CROWDER	CA
1 ASTRAGAL	W40P - 2100	KN CROWDER	CA
2 KICK PLATE	K10C	STANDARD METAL	26D
GROUP 2 D101B, D102A, D101E, D101F, D101G			
3 BUTT HINGES	TA 314 115x100mm NRP	McKINNEY	26D
1 LOCKSET	AU5402 x ASA	YALE (W/CONST CYLINDER)	26D
1 WEATHERSTRIP	W29 1/3 + 2/7	KN CROWDER	CA
1 DOOR SWEEP	W245 - 900mm	KN CROWDER	CA
1 THRESHOLD	CT11 - 900mm	KN CROWDER	CA
1 CLOSER	4040	LON	689
1 WALL STOP	S123	STANDARD METAL	26D
1 KICK PLATE	K10C	STANDARD METAL	26D
GROUP 3 D101D, D102B			
3 BUTT HINGES	TA 314 115x100mm NRP	McKINNEY	26D
1 LOCKSET	AU5402 x ASA	YALE (W/CONST CYLINDER)	26D
1 WALL STOP	S122	STANDARD METAL	26D
1 CLOSER	1461	LON	689
1 KICK PLATE	K10C	STANDARD METAL	26D
1 ACOUSTIC WEATHERSTRIP	W29 1/3 + 2/7	KN CROWDER	CA
1 DOOR SWEEP	W245 - 900mm	KN CROWDER	CA
1 THRESHOLD	CT11 - 900mm	KN CROWDER	CA
BLANK (NO HARDWARE) ON EXTERIOR			

ALL KICKPLATES TO BE MOUNTED ON PUSH SIDE

BUILDING CODE ANALYSIS

**Winnipeg Water Treatment Plant
 Standby Power Generator Building
 Winnipeg, Manitoba**

Building Code Analysis

1.0 Description

- ◆ Building Area: 729.70 m2 (7,850.4 sf)
- ◆ Sprinklered: No
- ◆ Occupancy Type: Group F, Division 3
- ◆ Occupant Load 4 (intermittent)
- ◆ Streets (0)

2.0 Regulation

.1 This project may be regulated under **3.2.2.80., Group F, Division 3, One Storey**

.2 Classification

- .1 Requirements:
- ◆ 5,600 m2 (60,256 sf) Building Area (Conforms @ 729.70 m2)
 - ◆ (1) Stories (Conforms)
 - ◆ Unsprinklered (Conforms)
 - ◆ Type "F-3" Occupancy (Conforms)
 - ◆ (1) Street (Conforms)

.2 Stipulations:

- ◆ May be Combustible or Non-combustible construction
- ◆ Floor Assemblies - 45 minutes FRR. (Conforms)
- ◆ Load bearing Elements - 45 minutes FRR. (Conforms)

3.0 General Conformance

.1 3.4.2.4 - Travel Distance

.1 Maximum travel distance to an exit is 30 m (98') - Conforms (maximum travel of 20.5 m (67')).

.2 3.4.2.1 - Number of Exits

.1 Conforms (two (2) required - five (5) provided).

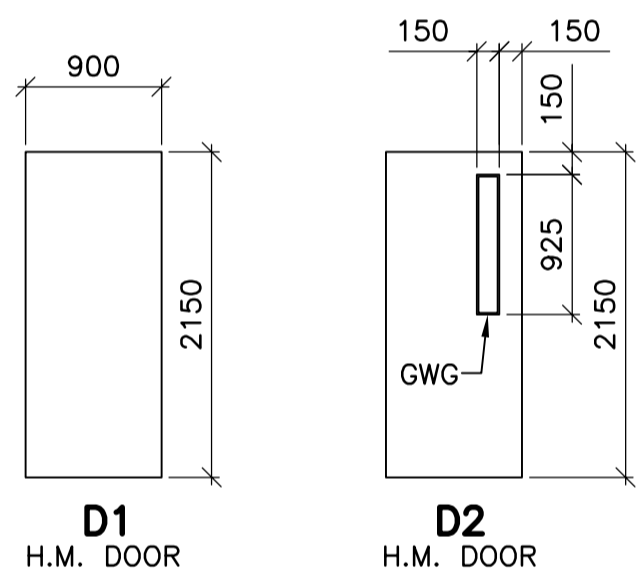
.3 3.2.3.1 - Limiting Distance

.1 No issues

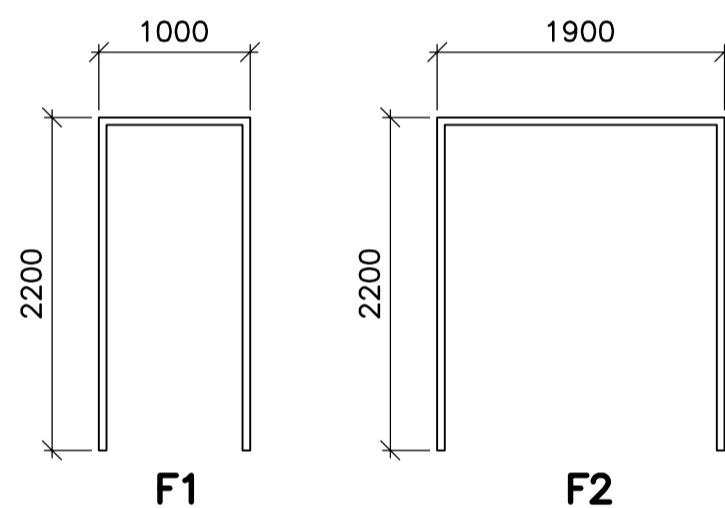
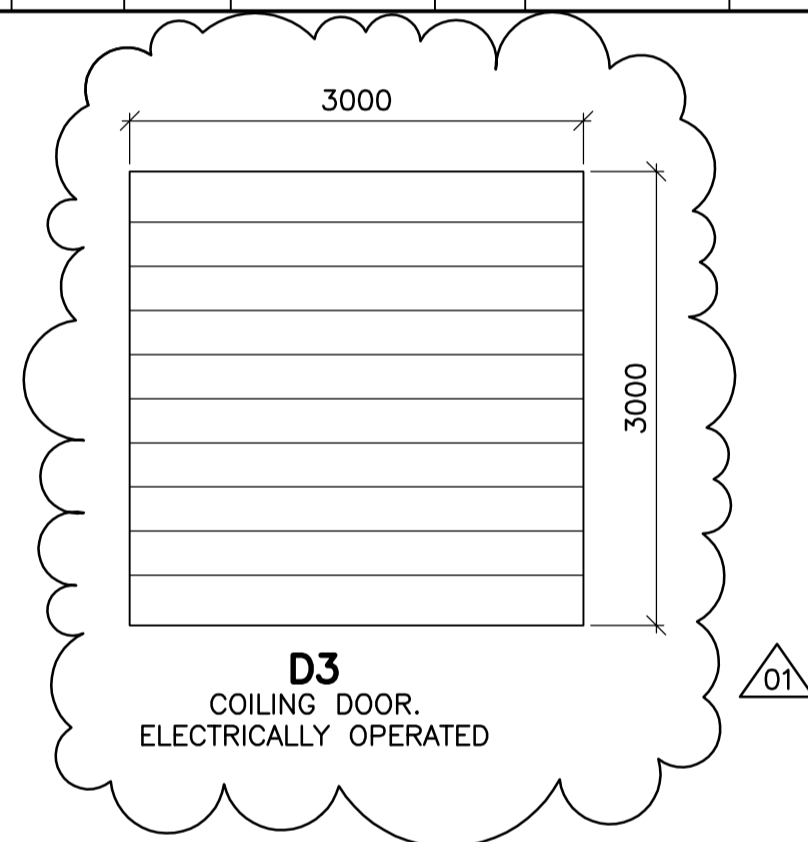
.4 Fire Rating Separations

.1 1 HR FRR separation required between Electrical and Generator rooms
 (Generator Room contains fuel-fired appliances - diesel stand-by generators)

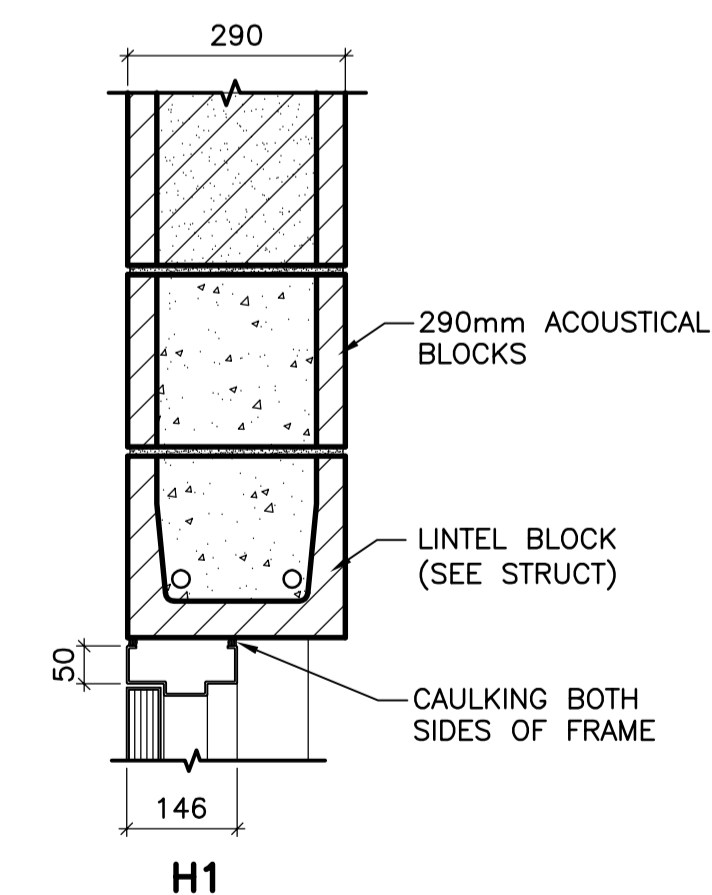
ROOM FINISH SCHEDULE															
ROOM No.	ROOM NAME	FLOOR			NORTH WALL		SOUTH WALL		EAST WALL		WEST WALL		CEILING		REMARKS
		MAT.	FIN.	BASE	MAT.	FIN.	MAT.	FIN.	MAT.	FIN.	MAT.	FIN.	MAT.	FIN.	
GROUND FLOOR															
101	GENERATOR ROOM	CONC	SEAL	SEAL	CONC BLK	PNT	CONC BLK	PNT	CONC BLK	PNT	CONC BLK	PNT	CONC	PNT	8326
102	ELECTRICAL ROOM	CONC	SEAL	SEAL	CONC BLK	PNT	CONC BLK	PNT	CONC BLK	PNT	CONC BLK	PNT	CONC	PNT	8326



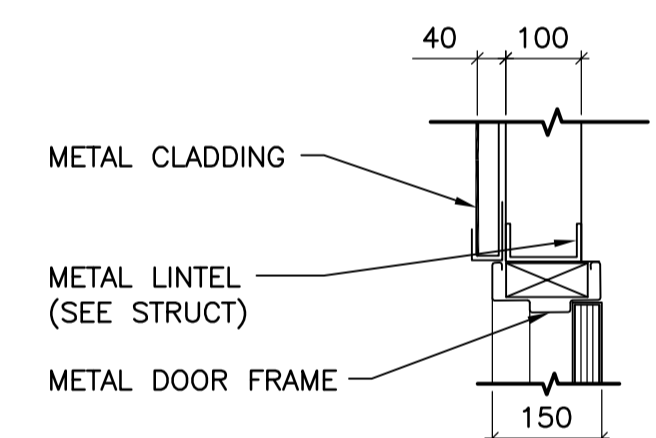
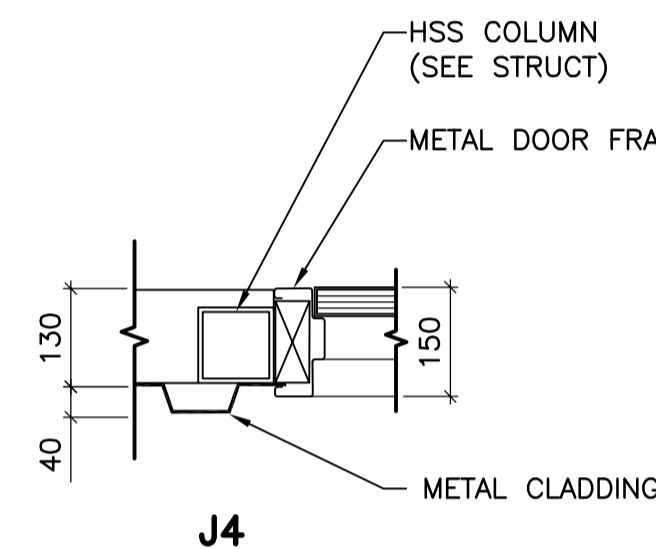
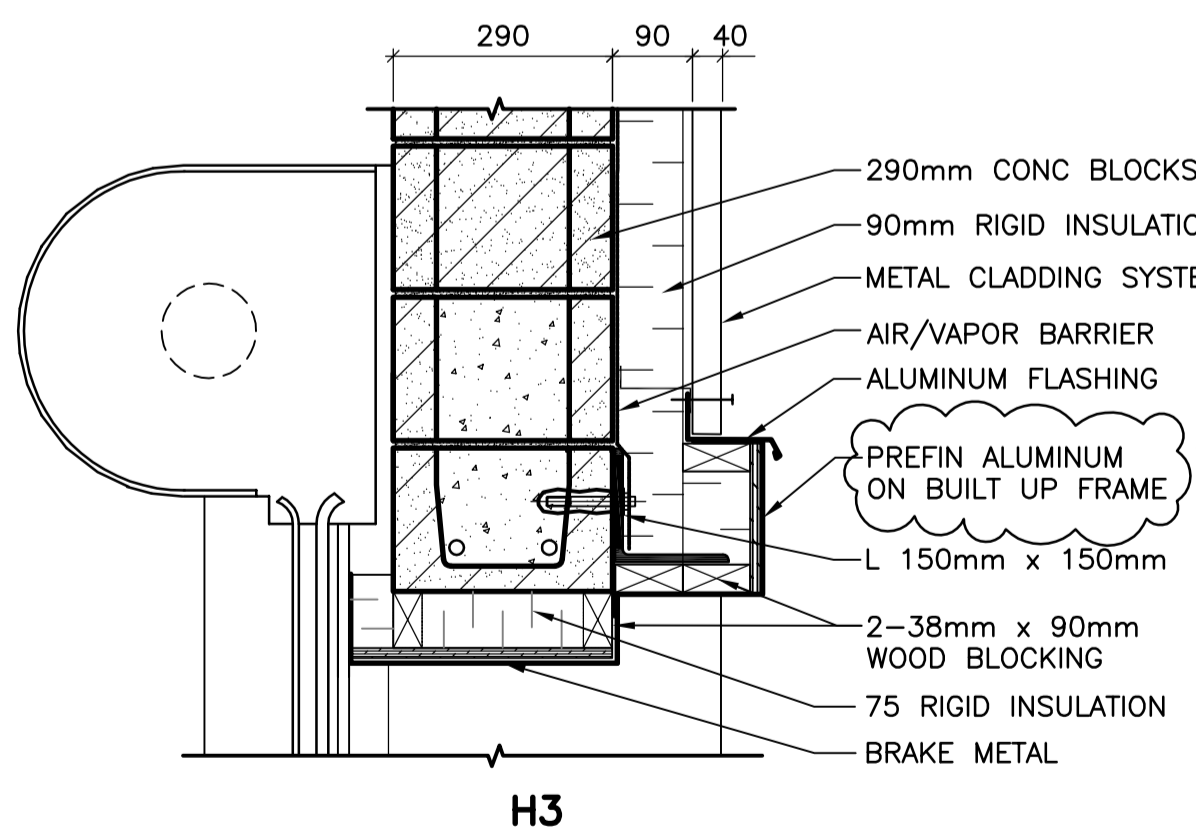
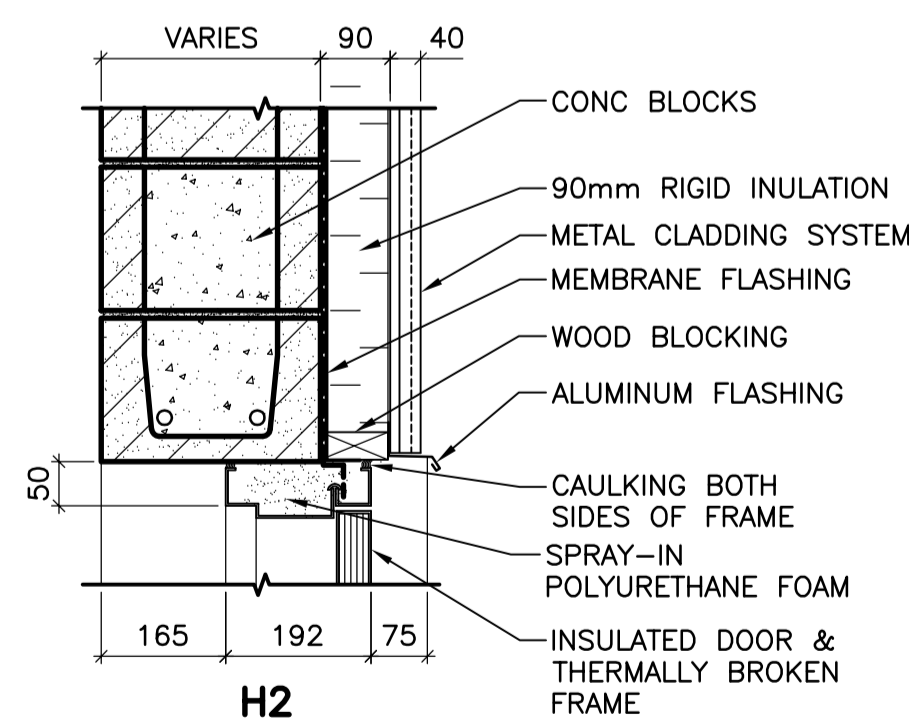
DOOR TYPES
SCALE 1:50



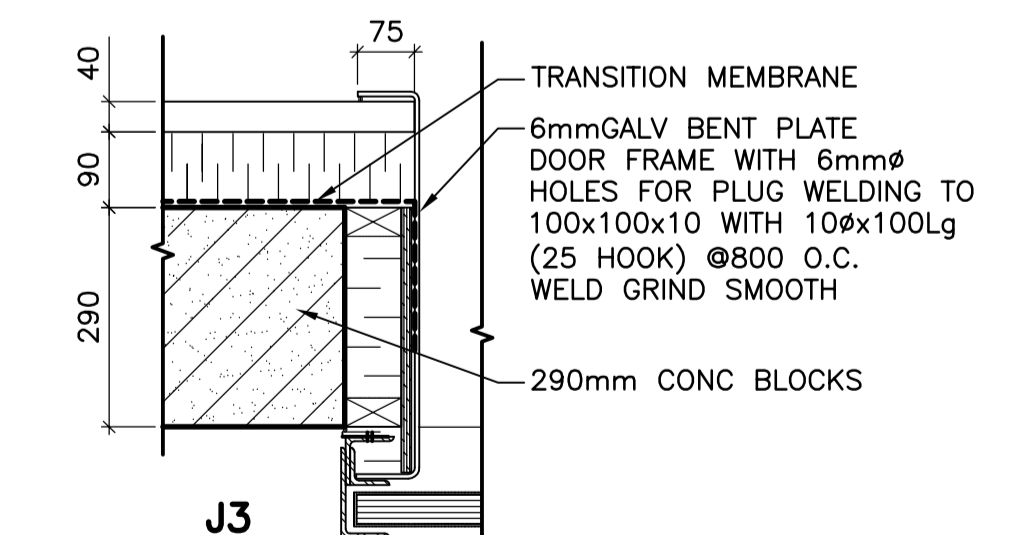
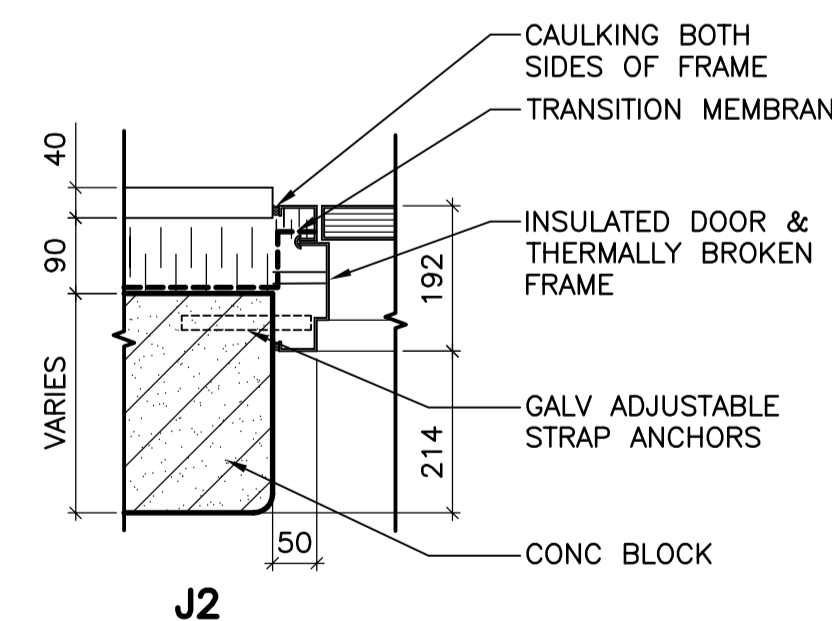
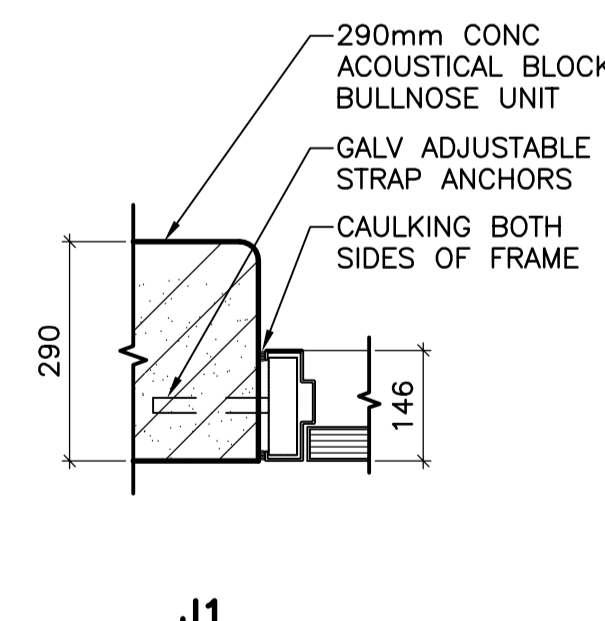
FRAME TYPES
SCALE 1:50



HEAD TYPES
SCALE 1:10



JAMB TYPES
SCALE 1:10



B.M. ELEV.	CH2MHILL Frederickson Cooper ARCHITECTS	EarthTech A Tyco International Ltd. Company	ENGINEER'S SEAL ORIGINAL SIGNED BY N. COOPER 2006/08/30	THE CITY OF WINNIPEG WATER AND WASTE DEPARTMENT Winnipeg ENGINEERING DIVISION
DESIGNED BY: NC	CHECKED BY: LK	DESIGNED BY: AL	APPROVED BY: AHL	WATER TREATMENT PLANT STANDBY POWER GENERATOR
DRAWN BY: AL	SCALE: AS SHOWN	RELEASED FOR CONSTRUCTION BY: R. SOROKOWSKI	CONSULTANT DRAWING NO. WG-B0501	CITY FILE NUMBER
NO. REVISIONS	DATE	DATE	DATE	SHEET OF
02 498-2006 ADDENDUM 10	06/10/24	AL		CITY DRAWING NUMBER
01 498-2006 ADDENDUM 4	06/10/06	LK		1-0601G-A-B0501-001-02D
00 ISSUED FOR TENDER	06/08/28	AL		