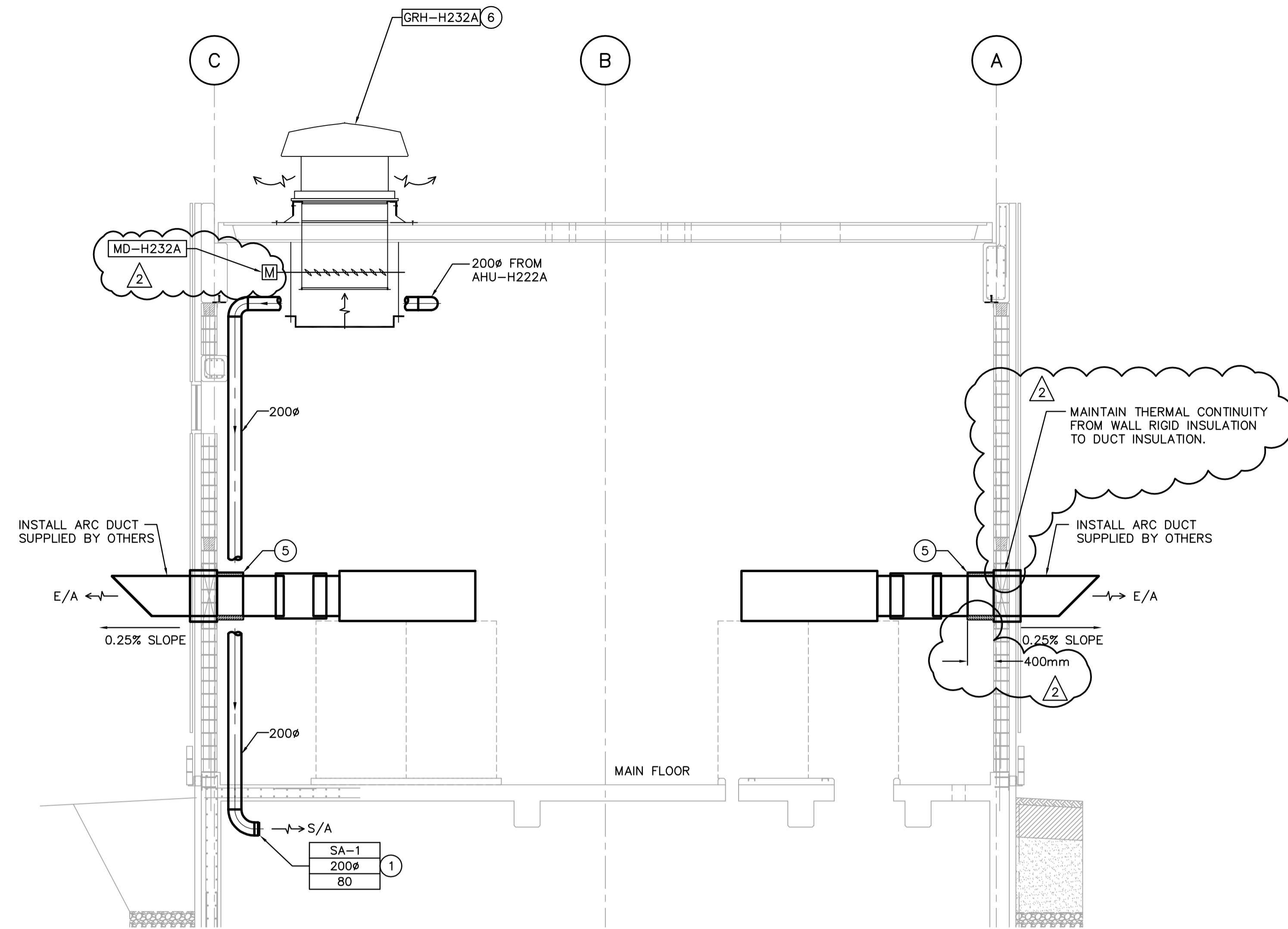


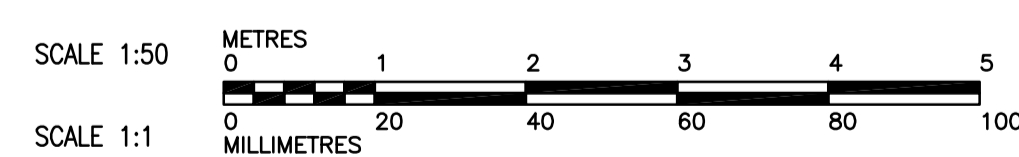
E SECTION
WG-H0120,140 1:50



F SECTION
WG-H0120 1:50

- DRAWING NOTES**
- 13mm SQUARE WIRE MESH WELDED TO END.
 - SEE DRAWING WG-H0401 DETAIL 3.
 - SEE DRAWING WG-H0401 DETAIL 5.
 - INSULATE ALL SUPPLY AIR DUCT WITH 25mm FOIL FACED INSULATION.
 - INSULATE ARC DUCT WITH 25mm FOIL FORCED INSULATION STARTING FROM RIGID WALL INSULATION. TERMINATE 400mm FROM INTERIOR WALL SURFACE.
 - 915x1220 RELIEF AIR HOOD ON ROOF c/w MOTORIZED DAMPER. TERMINATE INTAKE OPENING APPROX. 600mm BELOW ROOF DECK. SEE DRAWING WG-H402 DETAIL 5.
 - EXTEND REFRIGERANT SUCTION, LIQUID AND HOT GAS PIPING DOWN THROUGH A ROOF CURB & MOLDED CAP TYPE SYSTEM TO AHU-H222A. SEE WG-H401 DETAIL 6.

- GENERAL NOTES**
- COORDINATE WITH OTHER TRADES SO AS TO PREVENT CONFLICTS.
 - ALL DUCTWORK SHALL BE SUPPORTED AND SUSPENDED AS PER SPECIFICATIONS AND LOCAL CODES (SEE DETAILS).



B.M. ELEV.	 		ENGINEER'S SEAL
	DESIGNED BY: AB/LJW	CHECKED BY: AMA, PVL	ORIGINAL SIGNED BY: A. BURACHYNSKY
	DRAWN BY: LJW	APPROVED BY: AHL	2006/08/30
02 498-2006 ADDENDUM 4 06/10/10 DC	SCALE: AS NOTED	RELEASED FOR CONSTRUCTION BY: R. SOROKOWSKI	CONSULTANT DRAWING NO. WG-H0203
01 498-2006 ADDENDUM 3 06/09/28 DC	DATE: 2006/05/29	DATE: 2006/08/30	
00 ISSUED FOR TENDER 06/08/28 LJW			
NO. REVISIONS	DATE	BY	

 THE CITY OF WINNIPEG WATER AND WASTE DEPARTMENT ENGINEERING DIVISION		CITY FILE NUMBER
WATER TREATMENT PLANT STANDBY POWER GENERATOR		SHEET OF
MECHANICAL		CITY DRAWING NUMBER
VENTILATION SECTIONS		1-0601G-A-H0203-001-02D