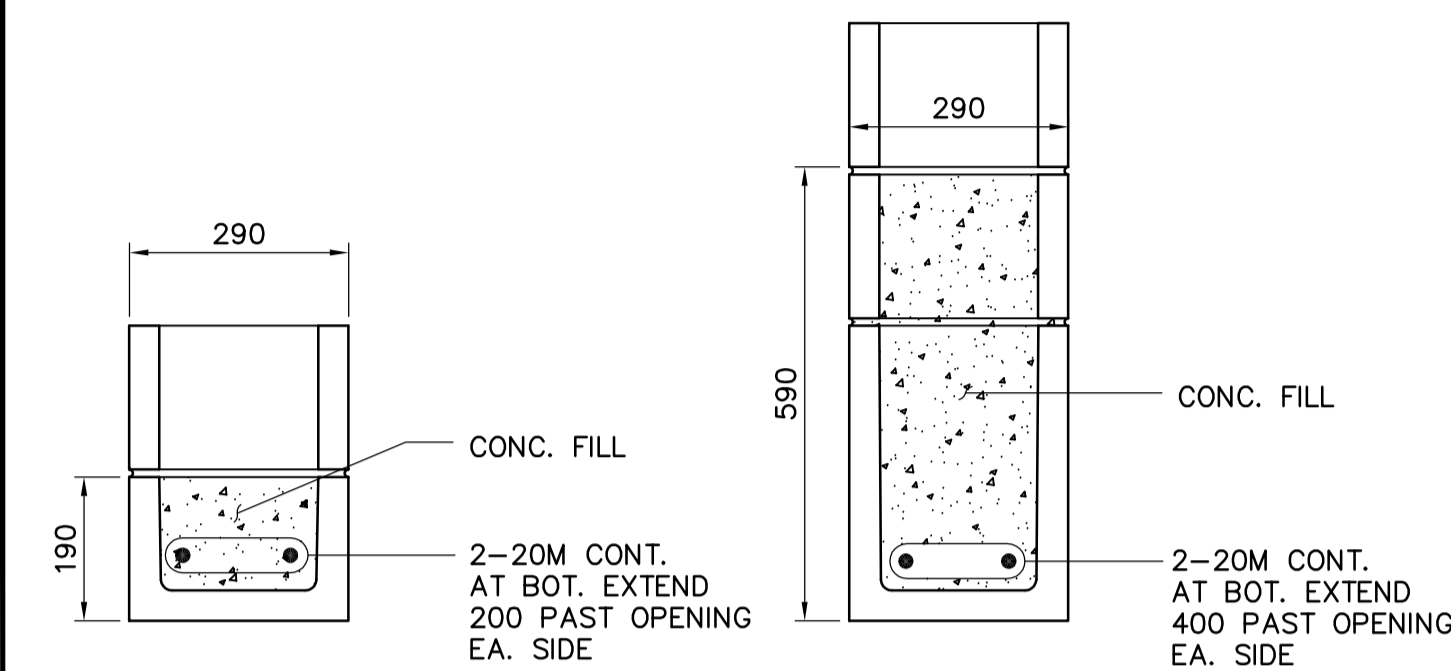
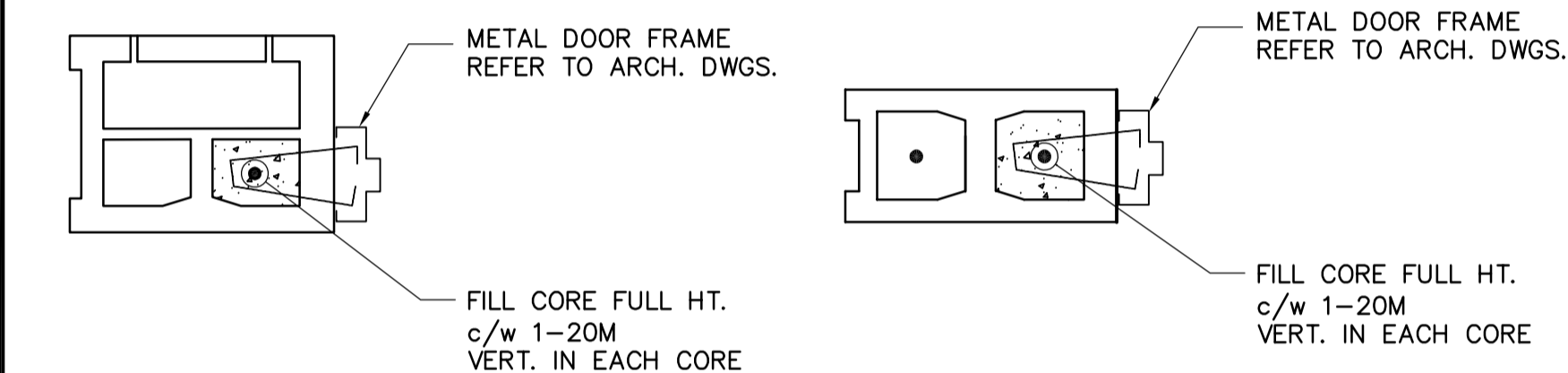


TYPICAL CONTROL JOINT DETAIL @ MID & TOP WALL
SCALE N.T.S.



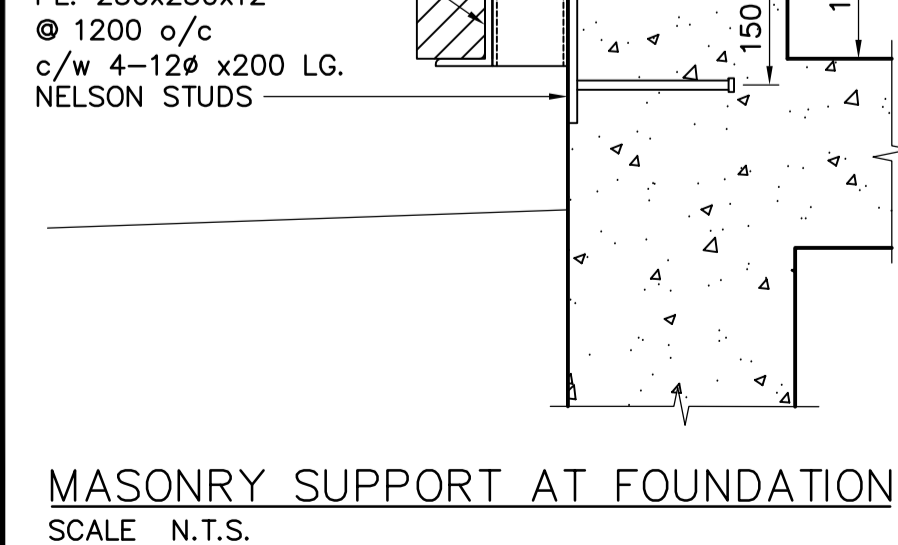
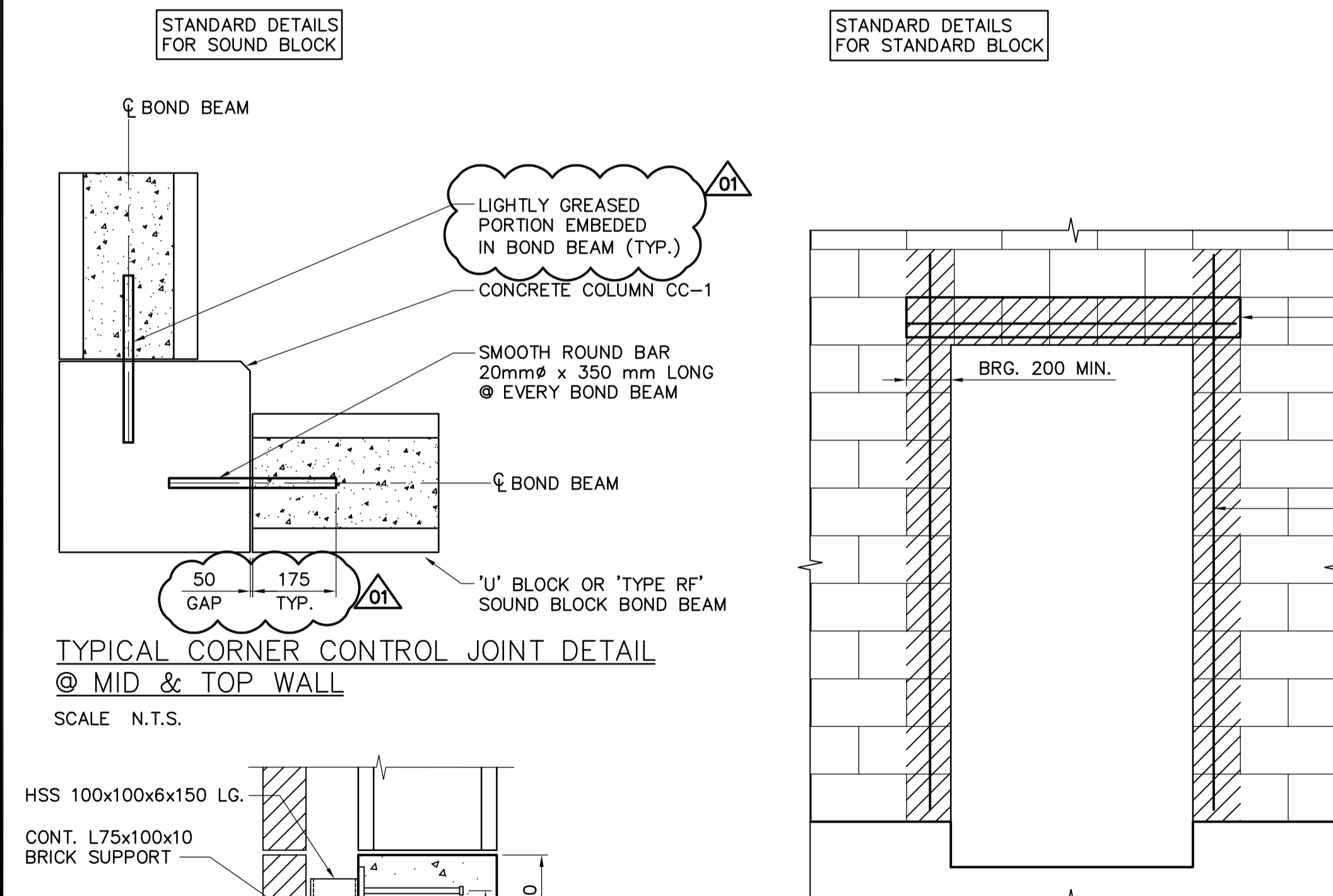
LINTEL TYPE ML-1
SCALE N.T.S.

LINTEL TYPE ML-2
SCALE N.T.S.

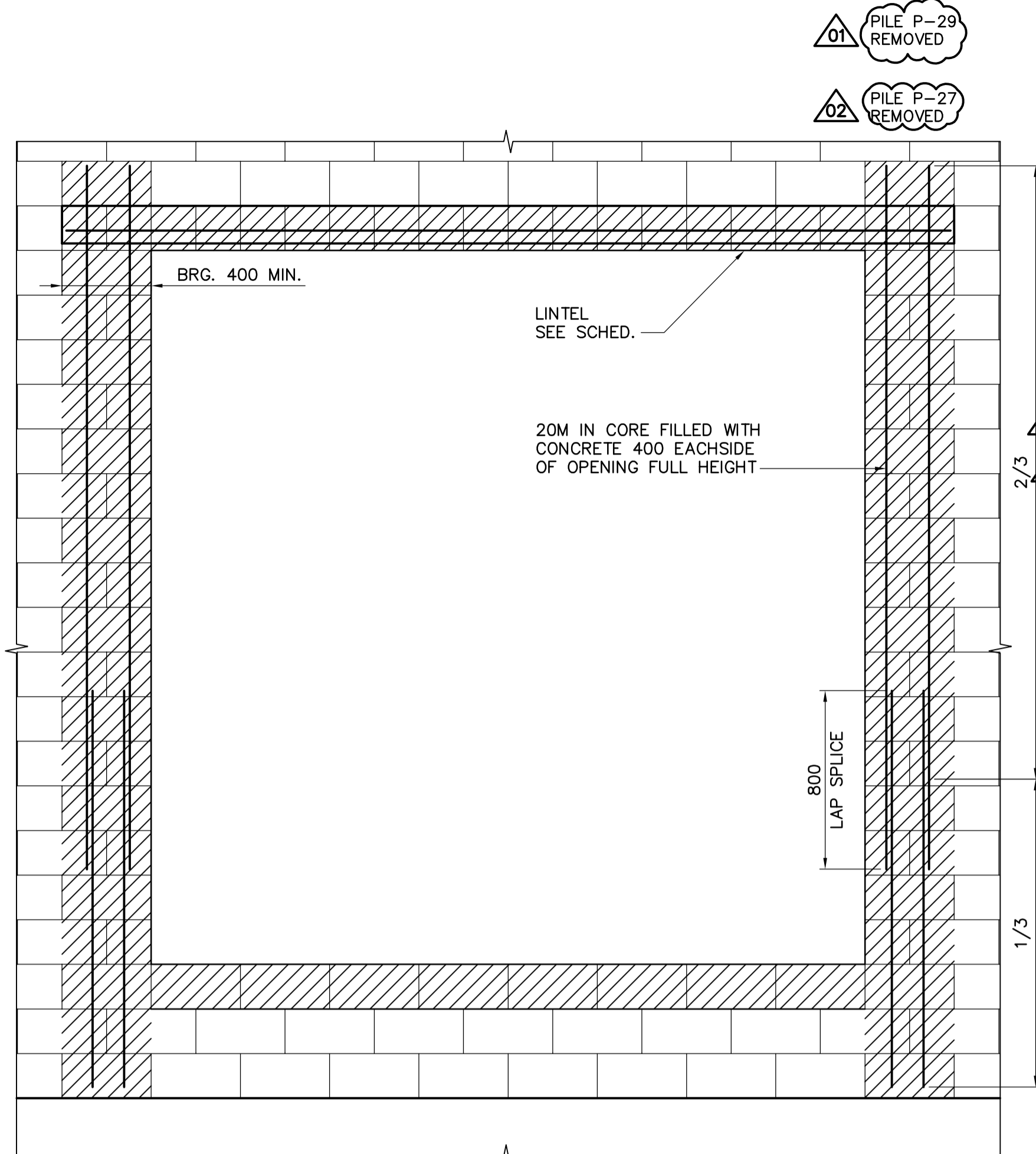


TYPICAL DOOR JAMB REINFORCING
SCALE N.T.S.

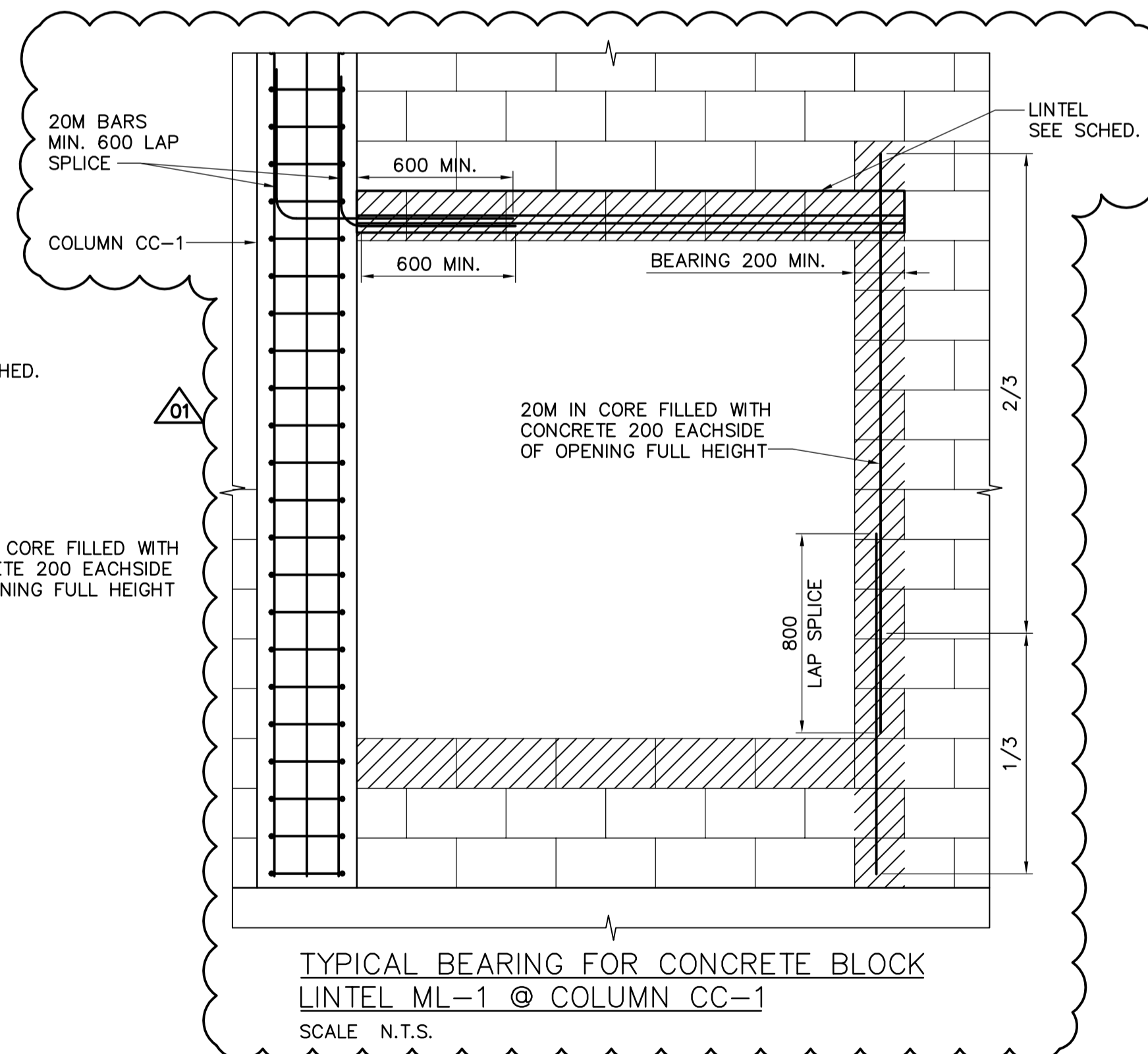
TYPICAL DOOR JAMB REINFORCING
SCALE N.T.S.



MASONRY SUPPORT AT FOUNDATION
SCALE N.T.S.



TYPICAL BEARING FOR CONCRETE BLOCK LINTELS FOR ML-2
SCALE N.T.S.



TYPICAL BEARING FOR CONCRETE BLOCK LINTEL ML-1 @ COLUMN CC-1
SCALE N.T.S.

01 PILE P-29 REMOVED
02 PILE P-27 REMOVED

| MARK | DIAMETER | CUT-OFF | REMARKS | COMMENT |
|--------------------|----------|---------|--------------------------|--|
| P-1 TO P-25 & P-30 | 400 | 234.825 | PRECAST PILE PRE-BORE 5M | |
| P-26 TO P-28 | 400 | 234.825 | PRECAST PILE PRE-BORE 5M | c/w 800x200x600 CONC. PILE CAP, PC-2 |
| P-31 TO P-53 | 400 | 235.975 | PRECAST PILE PRE-BORE 5M | c/w 600x600 CONC. PILE CAP, PC-1 |
| P-54 TO P-59 | 400 | 237.475 | PRECAST PILE PRE-BORE 5M | c/w 1000x1000x150 DROP PANEL |
| P-60 TO P-78 | 400 | 237.025 | PRECAST PILE PRE-BORE 5M | c/w 1000x9300x150 CONC. PILE CAP, PC-3 |
| P-79 TO P-96 | 400 | 236.725 | PRECAST PILE PRE-BORE 5M | |
| P-97 TO P-104 | 400 | 237.175 | PRECAST PILE PRE-BORE 5M | |
| P-106 TO P-111 | 400 | 237.175 | PRECAST PILE PRE-BORE 5M | |
| P-112 TO P-116 | 400 | 235.825 | PRECAST PILE PRE-BORE 5M | |

| MARK | WIDTH | DEPTH | REINFORCING | | | | REMARKS |
|------|-------|-------|-------------|------------|--------|---------------|---|
| | | | TOP | MIDDLE | BOTTOM | STIRRUPS | |
| GB-1 | 400 | 900 | 6-25M | 2-25M E.F. | 6-25M | 15M @ 200 o/c | 290Wx490H UPSTAND CURB R/W 15M HORIZ. @ 200 o/c E.F. & 15M VERT. @ 200 o/c E.F. |

| MARK | WIDTH | DEPTH | REINFORCING | | | | REMARKS |
|------|-------|-------|-------------|----------------|--------|---------------|--|
| | | | TOP | MIDDLE | BOTTOM | STIRRUPS | |
| CB-1 | 400 | 915 | 6-25M | 3-20M EA. FACE | 6-25M | 15M @ 200 o/c | 200Wx610H UPSTAND CURB R/W 15M @ 200 o/c VERT., AND 15M @ 200 o/c HORIZ. |
| CB-2 | 400 | 400 | 4-20M | | 4-20M | 15M @ 200 o/c | |
| CB-3 | 400 | 600 | 4-25M | | 4-25M | 15M @ 300 o/c | |
| CB-4 | 400 | 650 | 4-25M | | 6-25M | 15M @ 300 o/c | INTIGRATED INTO CONC. FLOOR SLAB |

| MARK | SIZE | REINFORCING | | | REMARKS |
|------------|---------|-------------|---------------|------------|------------|
| | | VERT. | STIRRUPS | ADDITIONAL | |
| CC-1, CP-1 | 400x400 | 8-25M | 15M @ 150 o/c | | SEE DETAIL |
| CC-2, CP-2 | 400x400 | 4-25M | 15M @ 150 o/c | | SEE DETAIL |

| MARK | SIZE | REINFORCING | TYPE | CORE FILL | REMARKS |
|------|------|--------------------|----------|------------------------------------|------------------------|
| MW-1 | 290 | 20M VERT @ 400 o/c | CONCRETE | FILL ALL REINF CORES w/ 25MPa CONC | STRUCTURAL SOUND BLOCK |
| MW-2 | 240 | 20M VERT @ 200 o/c | CONCRETE | FILL ALL REINF CORES w/ 25MPa CONC | STANDARD BLOCK |
| MW-3 | 190 | 20M VERT @ 400 o/c | CONCRETE | FILL ALL REINF CORES w/ 25MPa CONC | STRUCTURAL SOUND BLOCK |

| MARK | SIZE | REINFORCING | TYPE | CORE FILL | REMARKS |
|------|------|--------------|----------|------------------------------------|------------------------|
| ML-1 | 290 | 2-20M BOTTOM | CONCRETE | FILL ALL REINF CORES w/ 25MPa CONC | STRUCTURAL SOUND BLOCK |
| ML-2 | 290 | 2-20M BOTTOM | CONCRETE | FILL ALL REINF CORES w/ 25MPa CONC | STRUCTURAL SOUND BLOCK |

| MARK | DEPTH | HEIGHT | REINFORCING | | | REMARKS |
|------|-------|--------|--------------------|--------------------|-------------------|-------------------------|
| | | | VERTICAL | HORIZONTAL | ADDITIONAL | |
| CW-1 | 300 | 2490 | 20M @ 200 o/c E.F. | 20M @ 200 o/c E.F. | 20M DLS @ 200 o/c | 290 UPSTAND ABOVE FLOOR |

| MARK | DEPTH | REINFORCING | | | REMARKS |
|------|-------|--------------------|--------------------|------------|---------|
| | | TOP | BOTTOM | ADDITIONAL | |
| SL-1 | 250 | 20M @ 200 o/c E.W. | 20M @ 200 o/c E.W. | SEE PLAN | |
| SL-2 | 300 | 20M @ 200 o/c E.W. | 20M @ 200 o/c E.W. | NONE | |
| SL-3 | 300 | 20M @ 150 o/c E.W. | 20M @ 150 o/c E.W. | NONE | |

| MARK | SIZE | REINFORCING | | REMARKS |
|------|------------|---------------|---------------|--|
| | | TOP | BOTTOM | |
| EP-1 | 21035x2794 | 15M @ 300 o/c | | |
| EP-2 | 6405x2794 | 15M @ 300 o/c | | |
| EP-3 | 2650x7089 | 20M @ 150 o/c | 20M @ 150 o/c | 3-20M SIDES w/ 20M BENT BARS @ 100 PERIMETER |



| | | | |
|---------------|---------------------|-------------------------------|---------------|
| B.M. ELEV. | | | |
| DESIGNED BY | AP | CHECKED BY | MK |
| DRAWN BY | KK | APPROVED BY | AHL |
| SCALE: | AS SHOWN | RELEASED FOR CONSTRUCTION BY: | R. SOROKOWSKI |
| NO. REVISIONS | DATE | DATE | DATE |
| 02 | 468-2006 ADDENDUM 6 | 06/10/16 | KK |
| 01 | 498-2006 ADDENDUM 2 | 06/09/22 | KK |
| 00 | ISSUED FOR TENDER | 06/08/28 | KK |
| DATE | 2006/06/16 | DATE | 2006/08/30 |

CH2MHILL
Frederickson Cooper ARCHITECTS

EarthTech
A Tyco International Ltd. Company

ENGINEER'S SEAL
ORIGINAL SIGNED BY
A. POCHANART
2006/08/30

CONSULTANT DRAWING NO.
WG-S0002

THE CITY OF WINNIPEG
WATER AND WASTE DEPARTMENT
ENGINEERING DIVISION

WATER TREATMENT PLANT
STANDBY POWER GENERATOR

CITY FILE NUMBER
SHEET OF

STRUCTURAL SCHEDULES
STANDARD DETAILS

CITY DRAWING NUMBER
1-0601G-A-S0002-001-02D