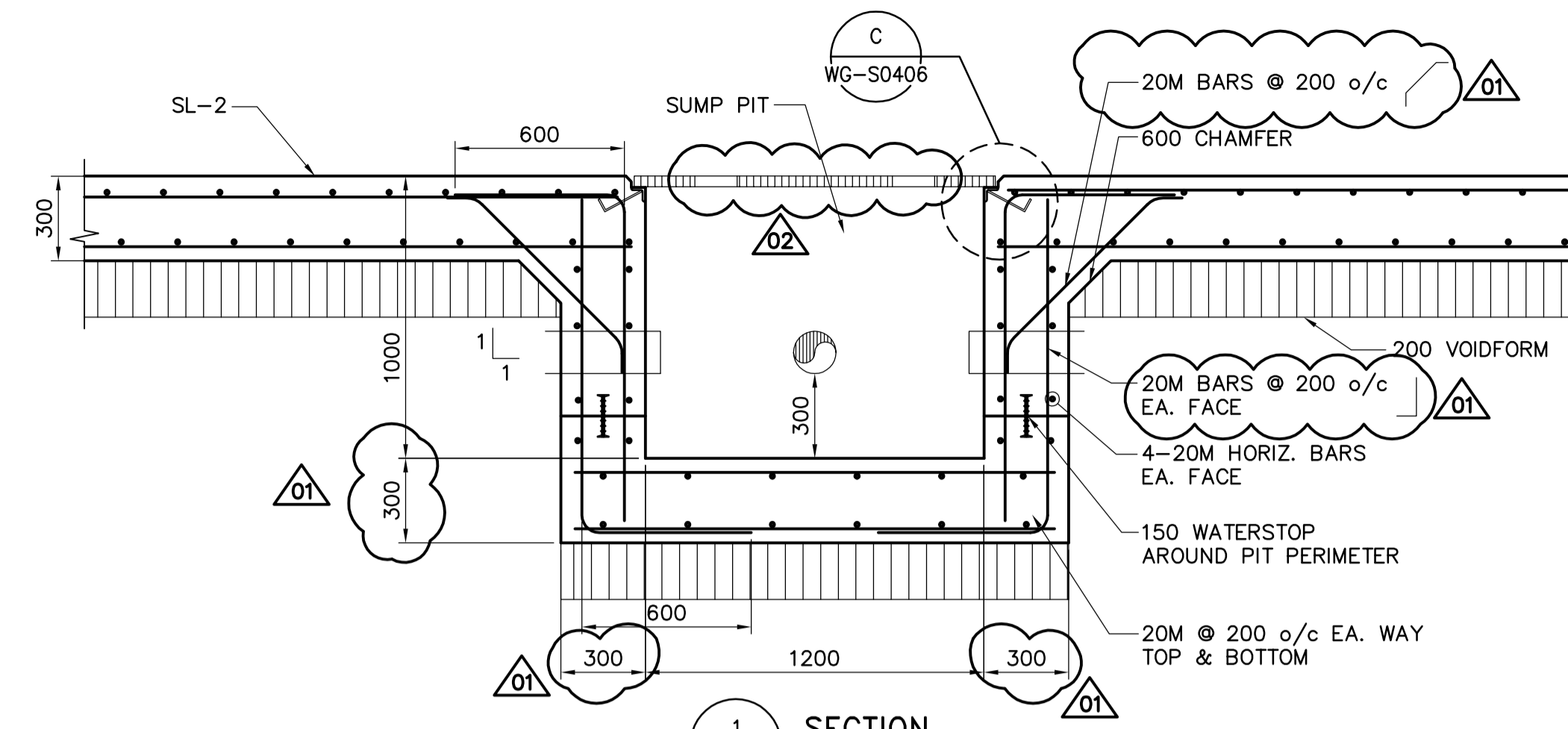
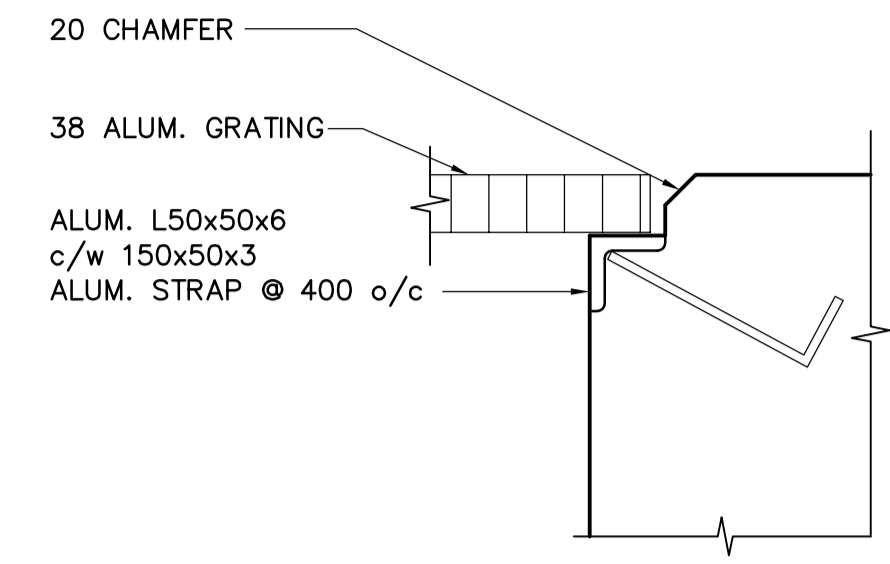


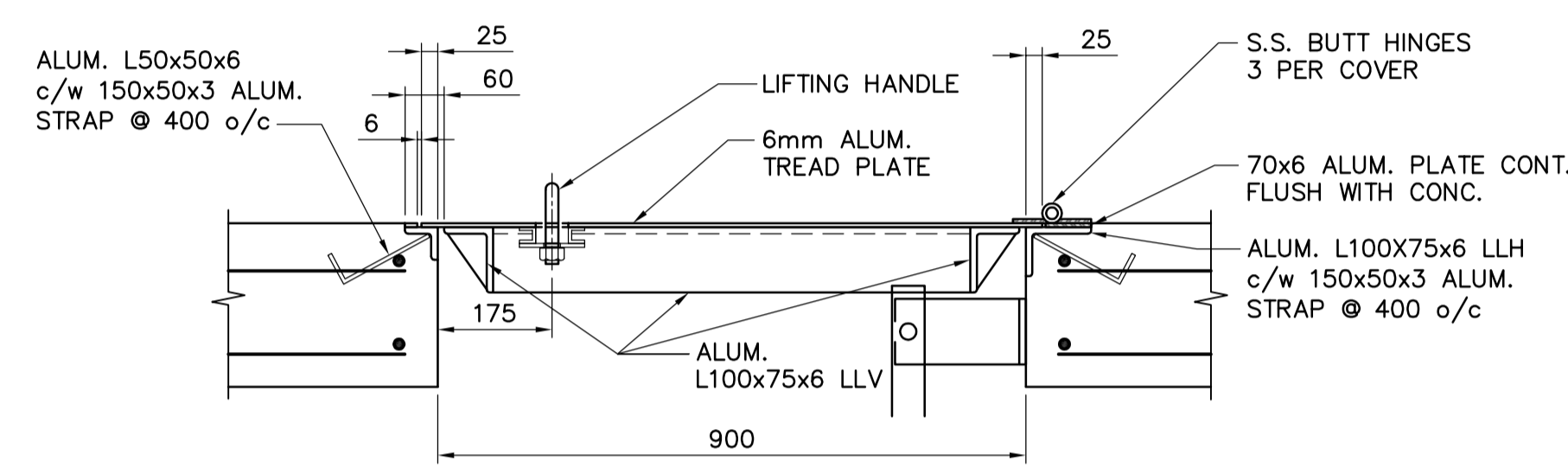
**A PLAN DETAIL**  
WG-S0100 1:10



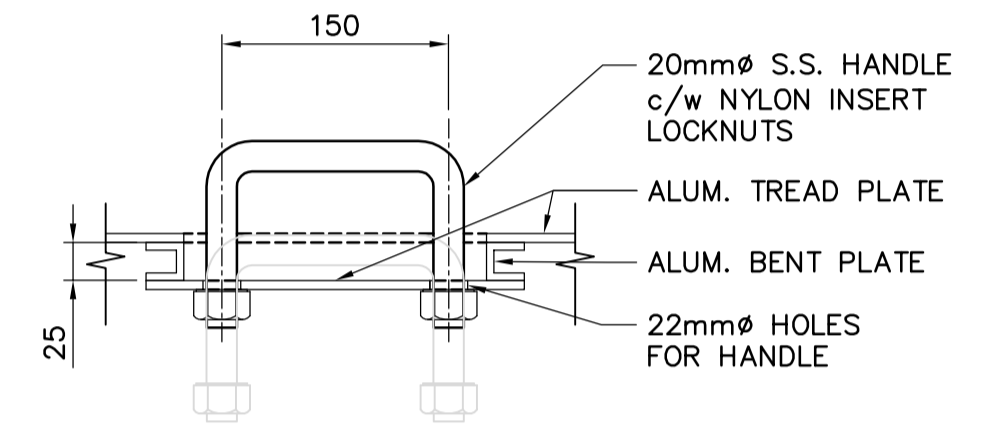
**1 SECTION**  
WG-S0406 1:20



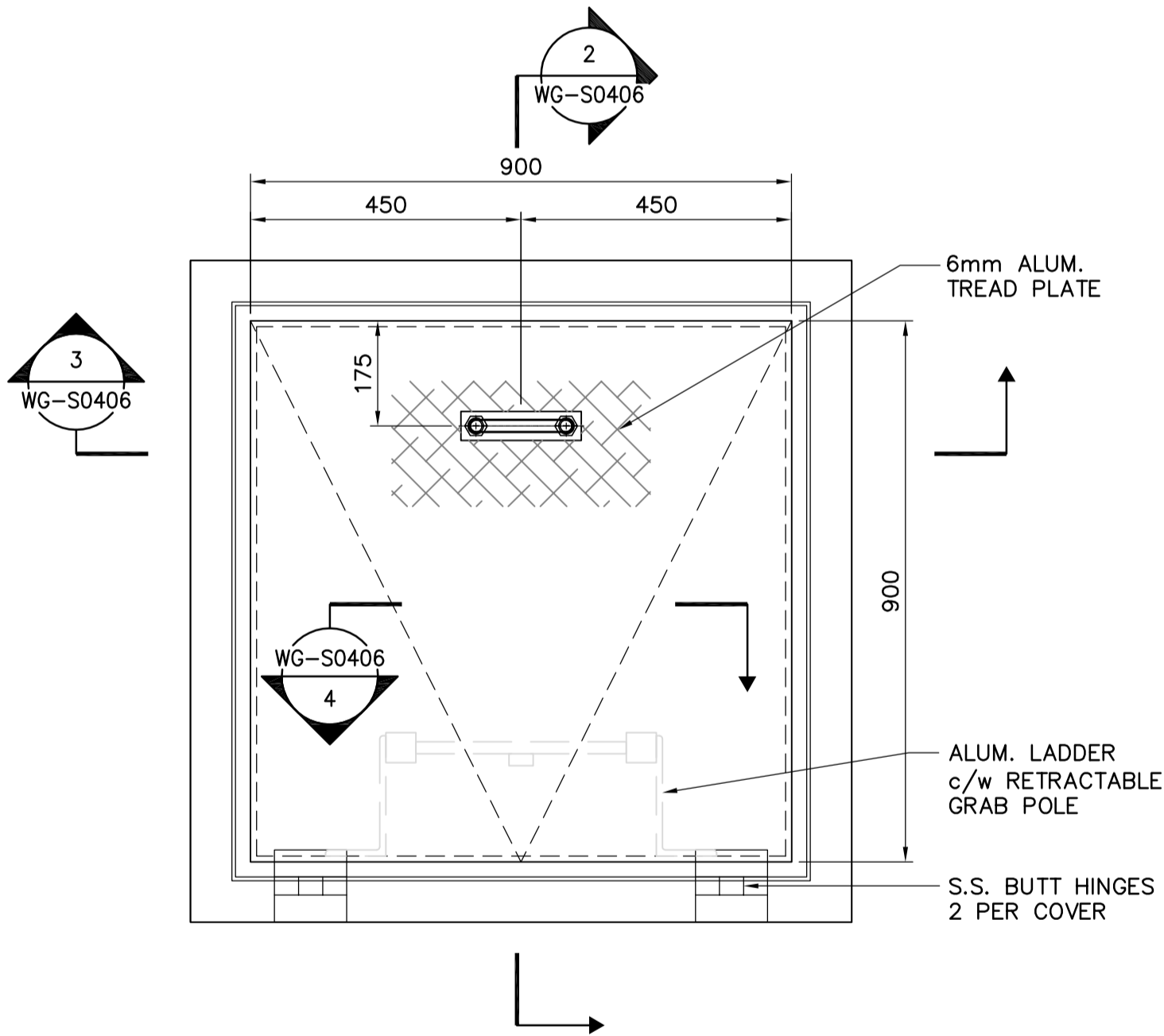
**C DETAIL**  
WG-S0406 1:5



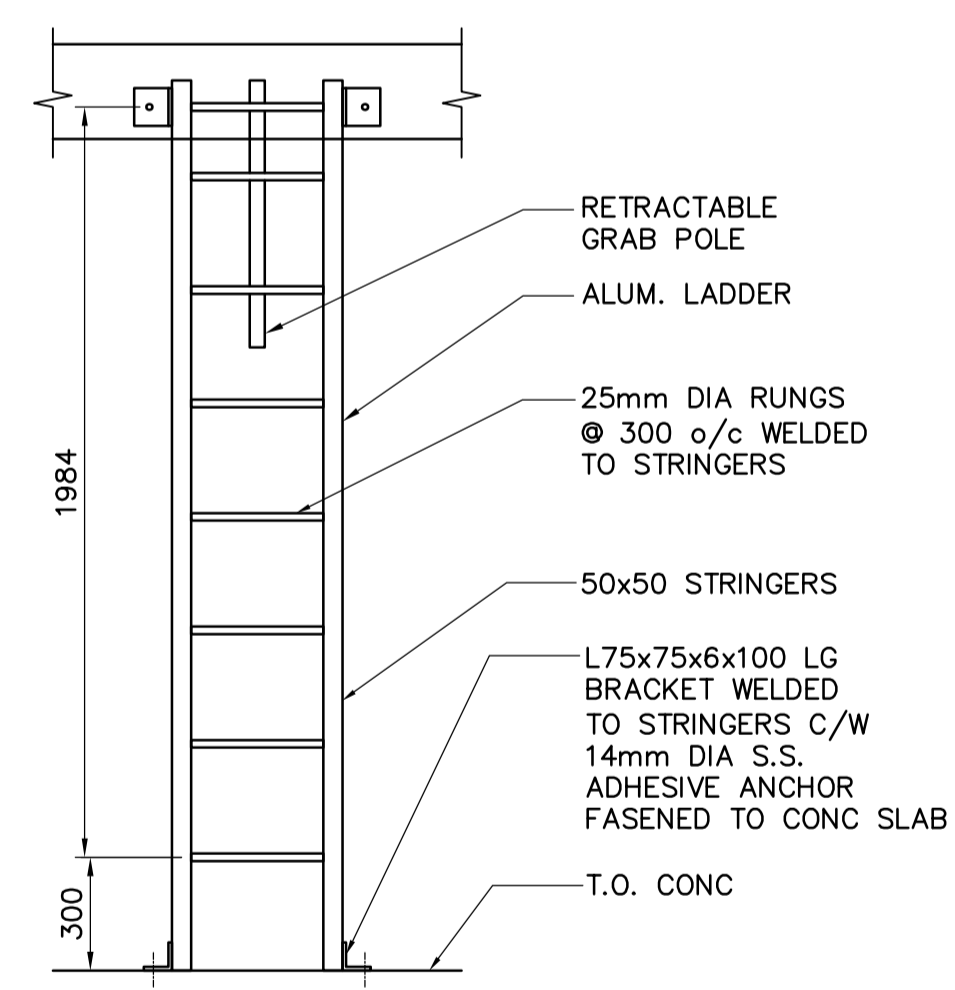
**2 SECTION**  
WG-S0406 1:10



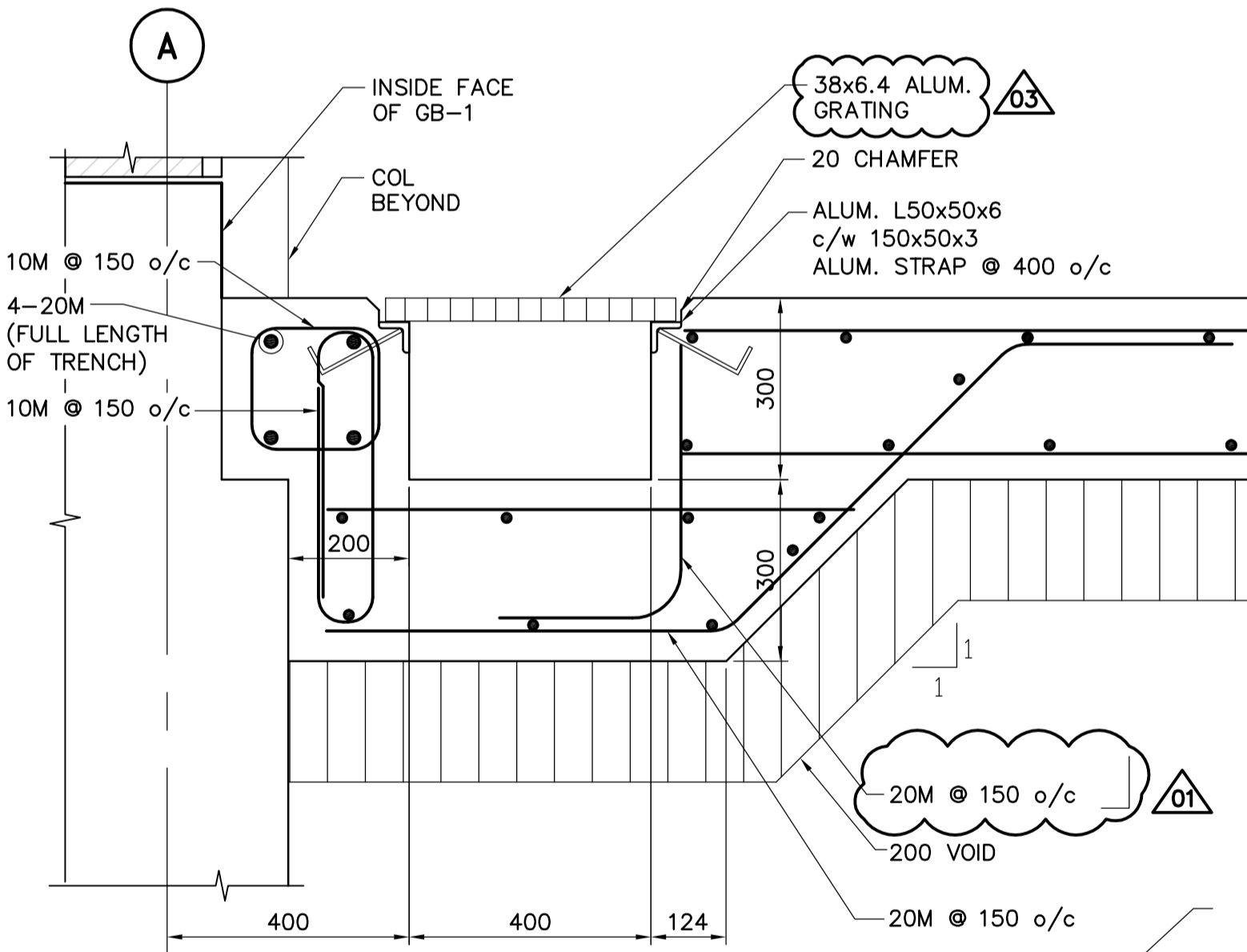
**3 SECTION**  
WG-S0406 1:5



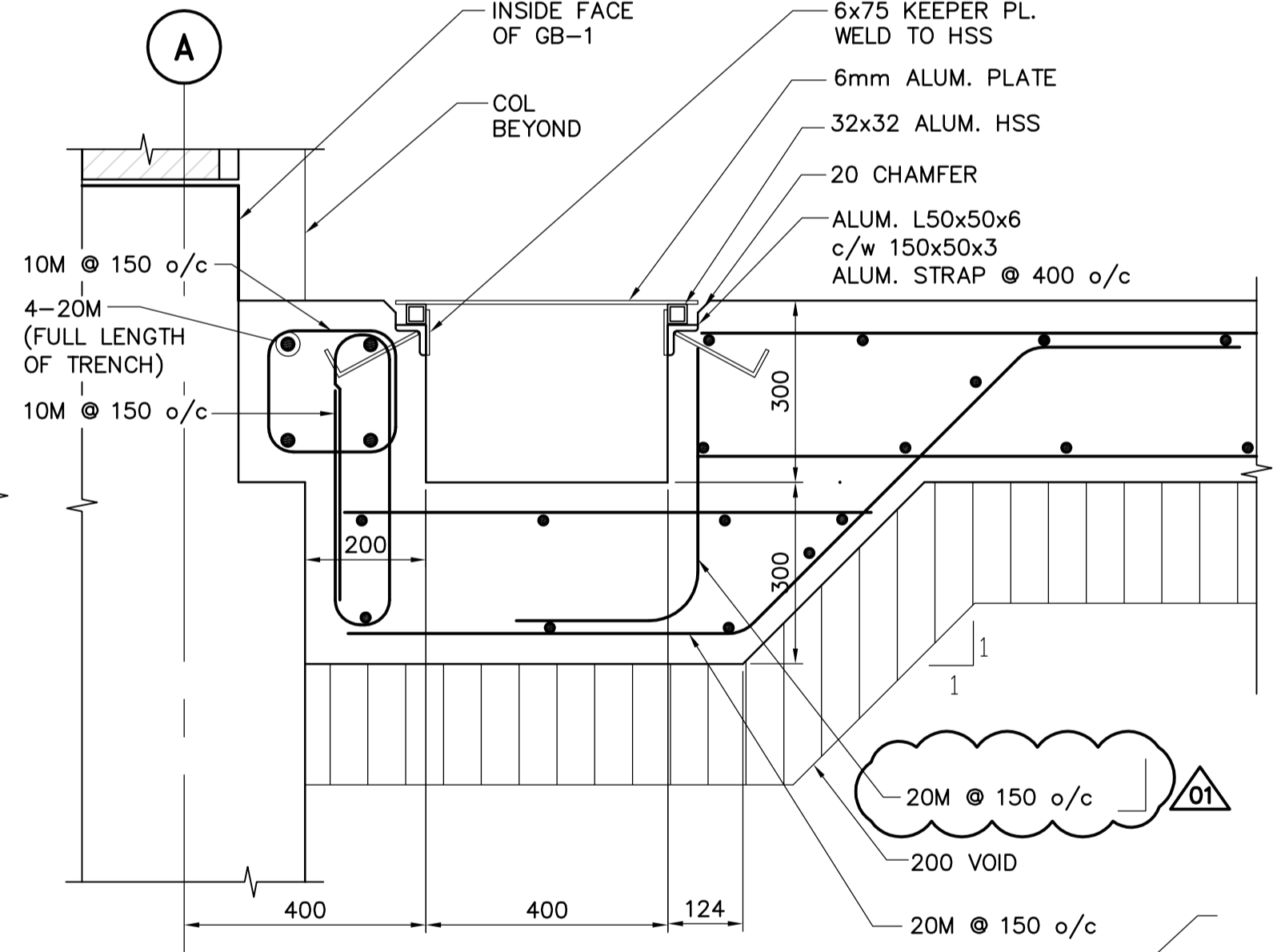
**B PLAN DETAIL**  
WG-S0110 1:10



**4 SECTION**  
WG-S0406 1:20



**5 SECTION**  
WG-S0110 1:10



**6 SECTION**  
WG-S0110 1:10



NO.	REVISIONS	DATE	BY
03	198-2006 ADDENDUM 6	06/10/16	KK
02	498-2006 ADDENDUM 4	06/10/10	KK
01	498-2006 ADDENDUM 2	06/08/22	KK
00	ISSUED FOR TENDER	06/08/28	KK

DESIGNED BY: AP/GGP DRAWN BY: KK		CHECKED BY: MK APPROVED BY: AHL	
SCALE: AS SHOWN		RELEASED FOR CONSTRUCTION BY: R. SOROKOWSKI	
DATE: 2006/06/16		DATE: 2006/08/30	

ENGINEER'S SEAL  
ORIGINAL SIGNED BY  
A. POCHANART  
2006/08/30  
CONSULTANT DRAWING NO.  
WG-S0406

**THE CITY OF WINNIPEG**  
 WATER AND WASTE DEPARTMENT  
 ENGINEERING DIVISION  
 WATER TREATMENT PLANT  
 STANDBY POWER GENERATOR  
 STRUCTURAL  
 SECTIONS & DETAILS

CITY FILE NUMBER	
SHEET OF	
CITY DRAWING NUMBER	1-0601G-A-S0406-001-03D