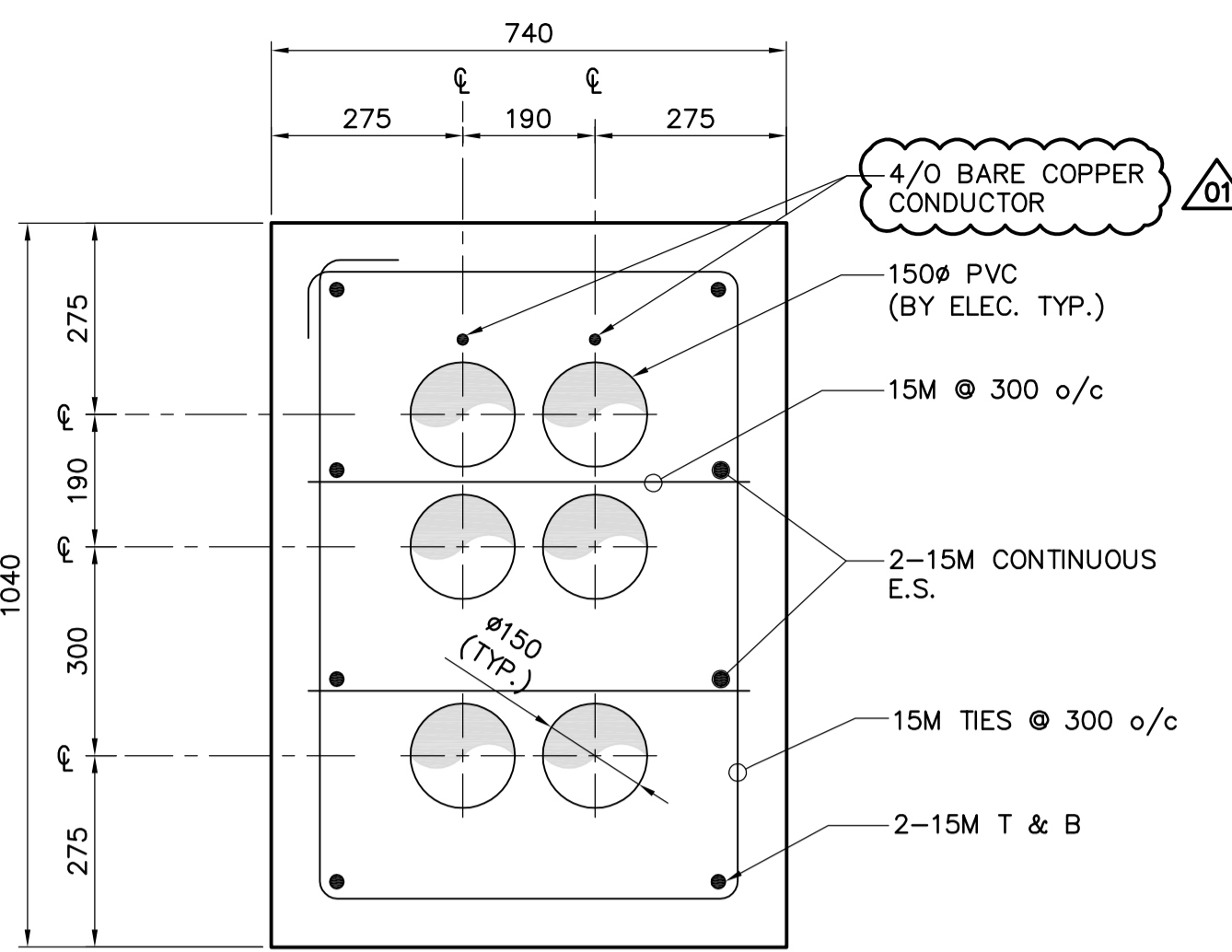
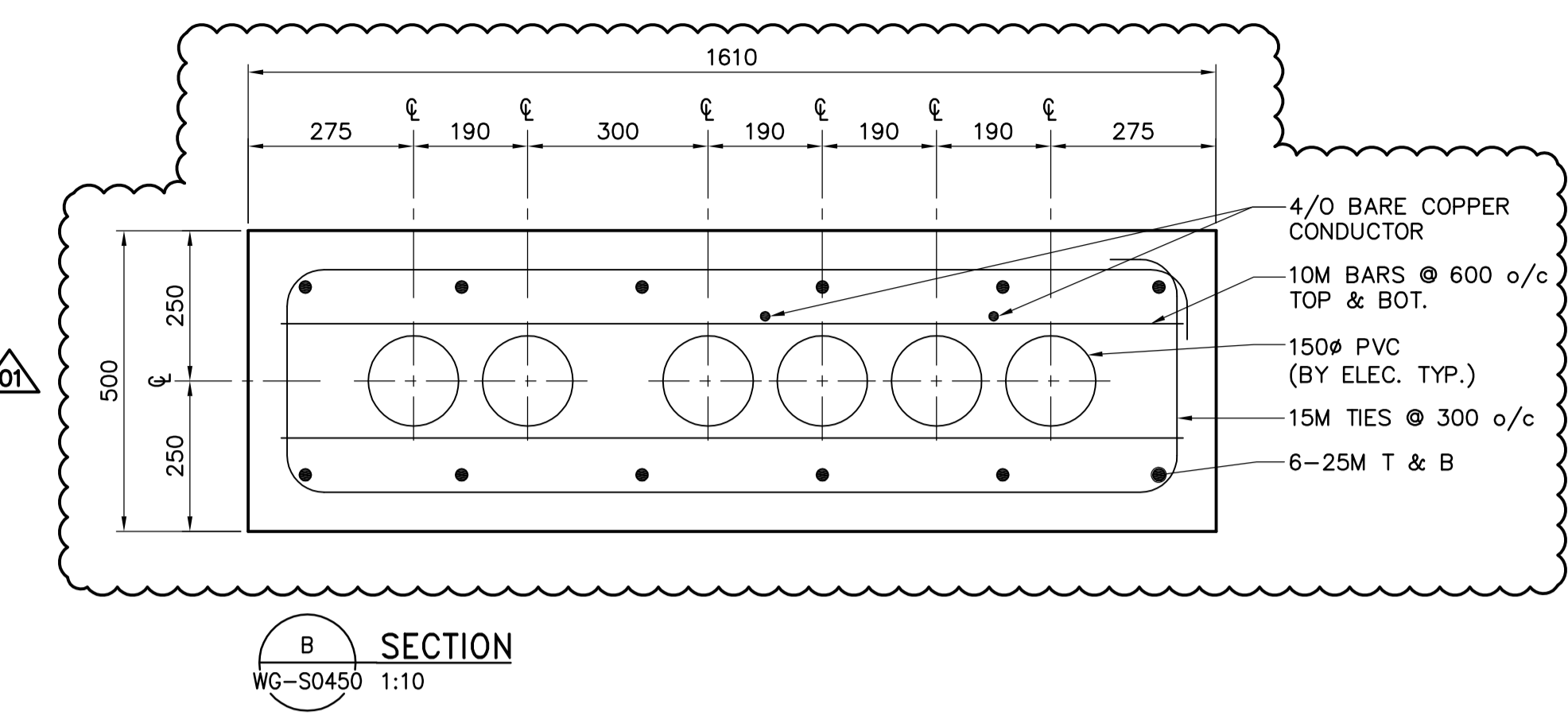


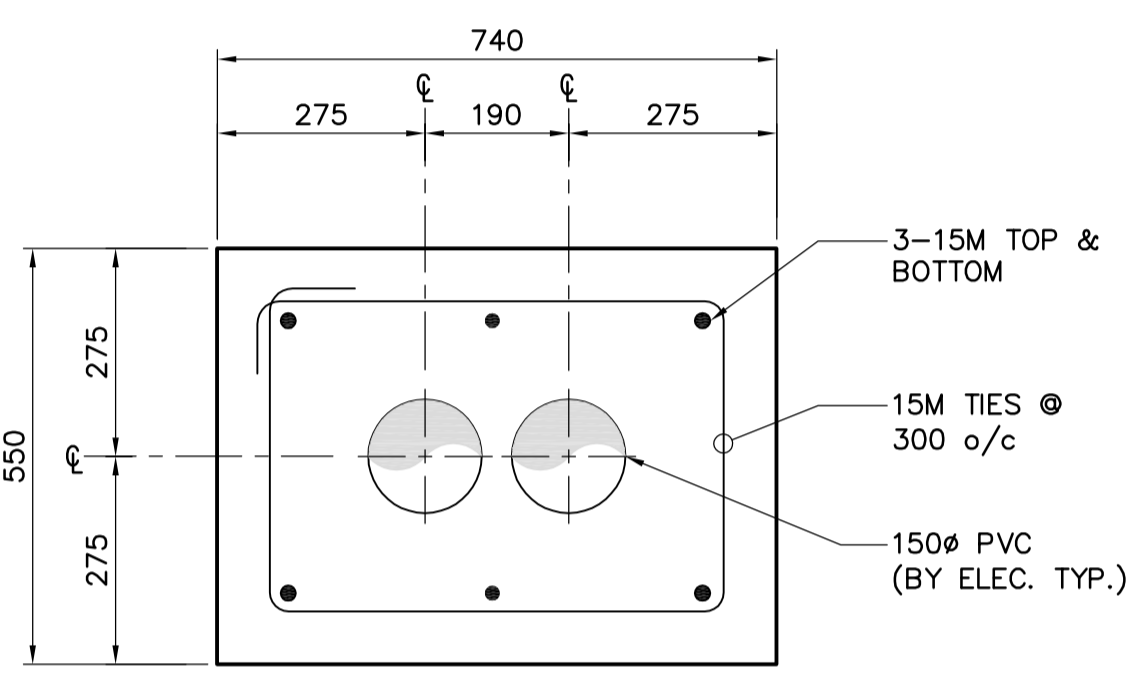
A SECTION
WG-S0450 1:10



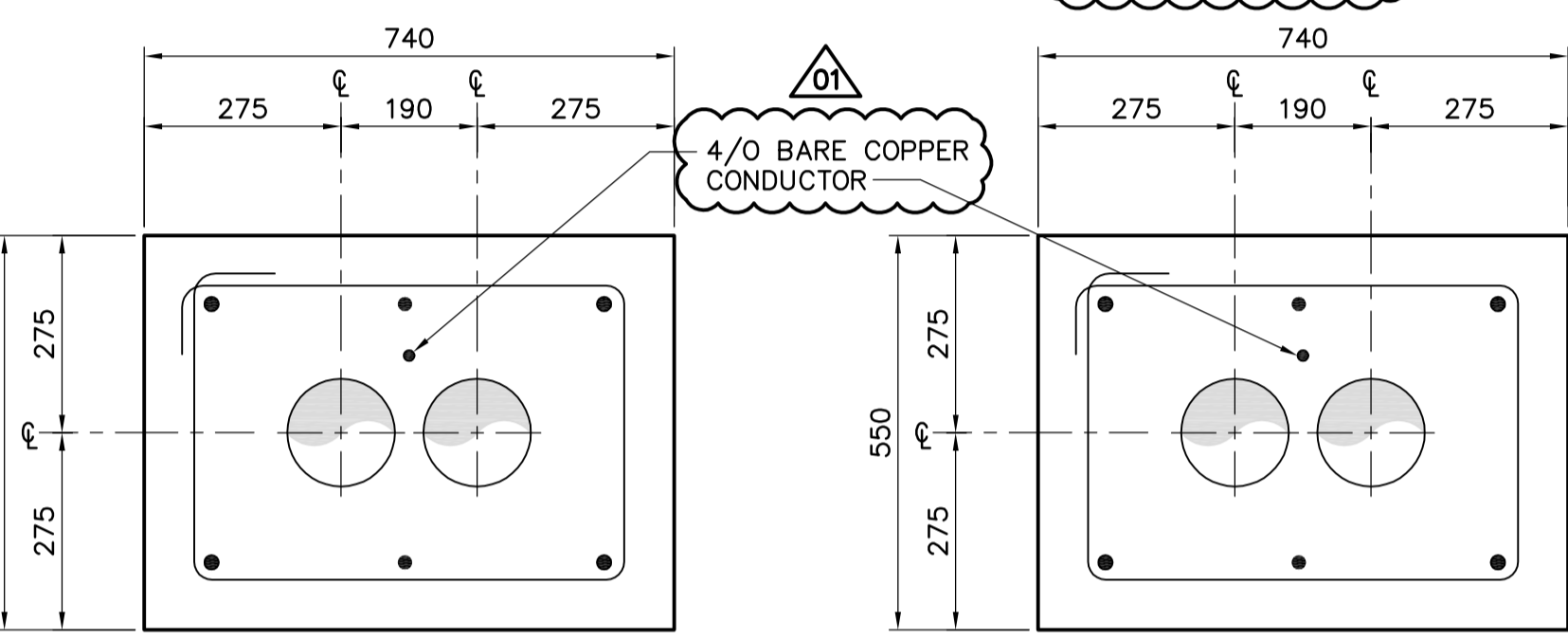
E SECTION
WG-S0450 1:10



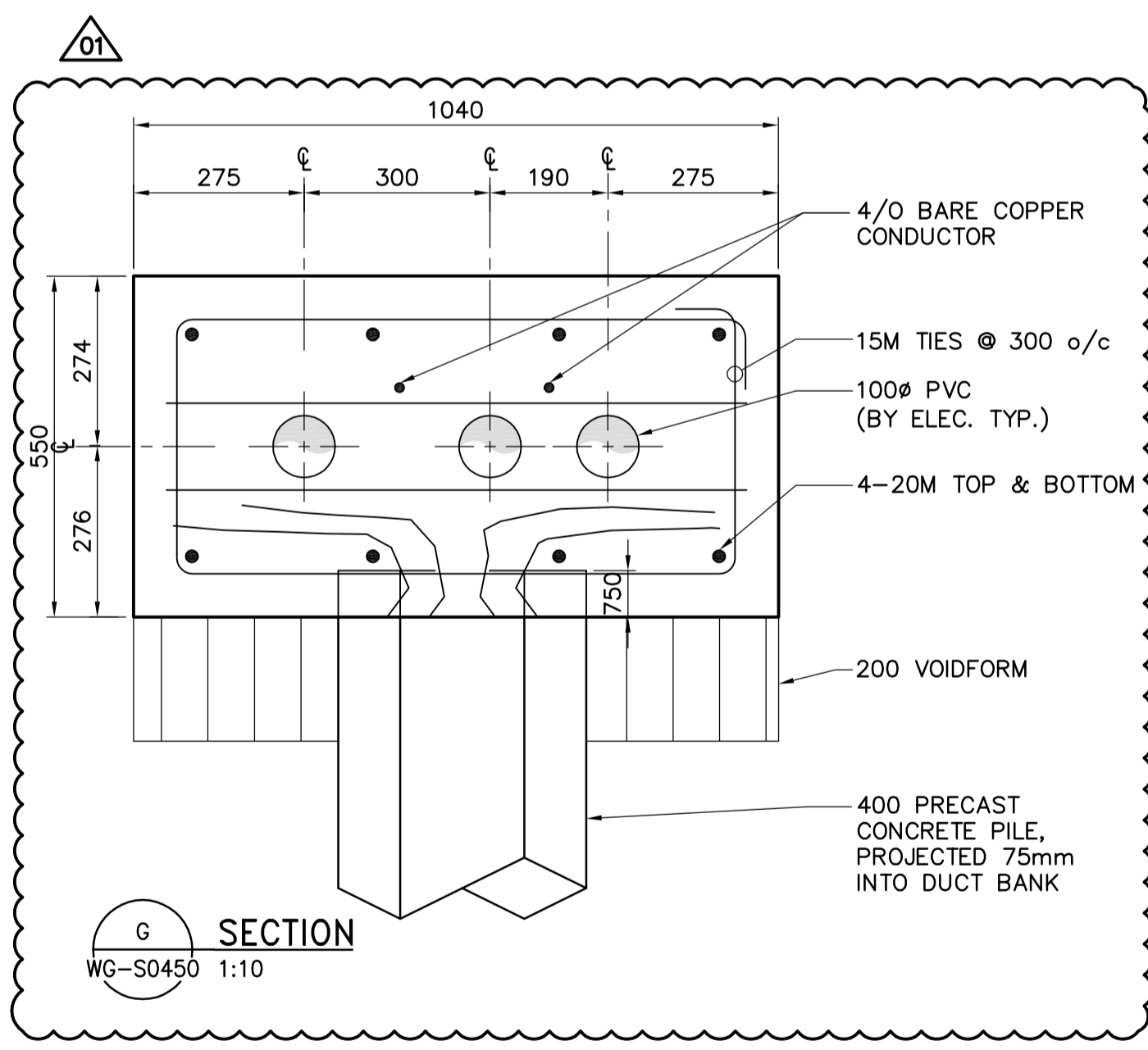
B SECTION
WG-S0450 1:10



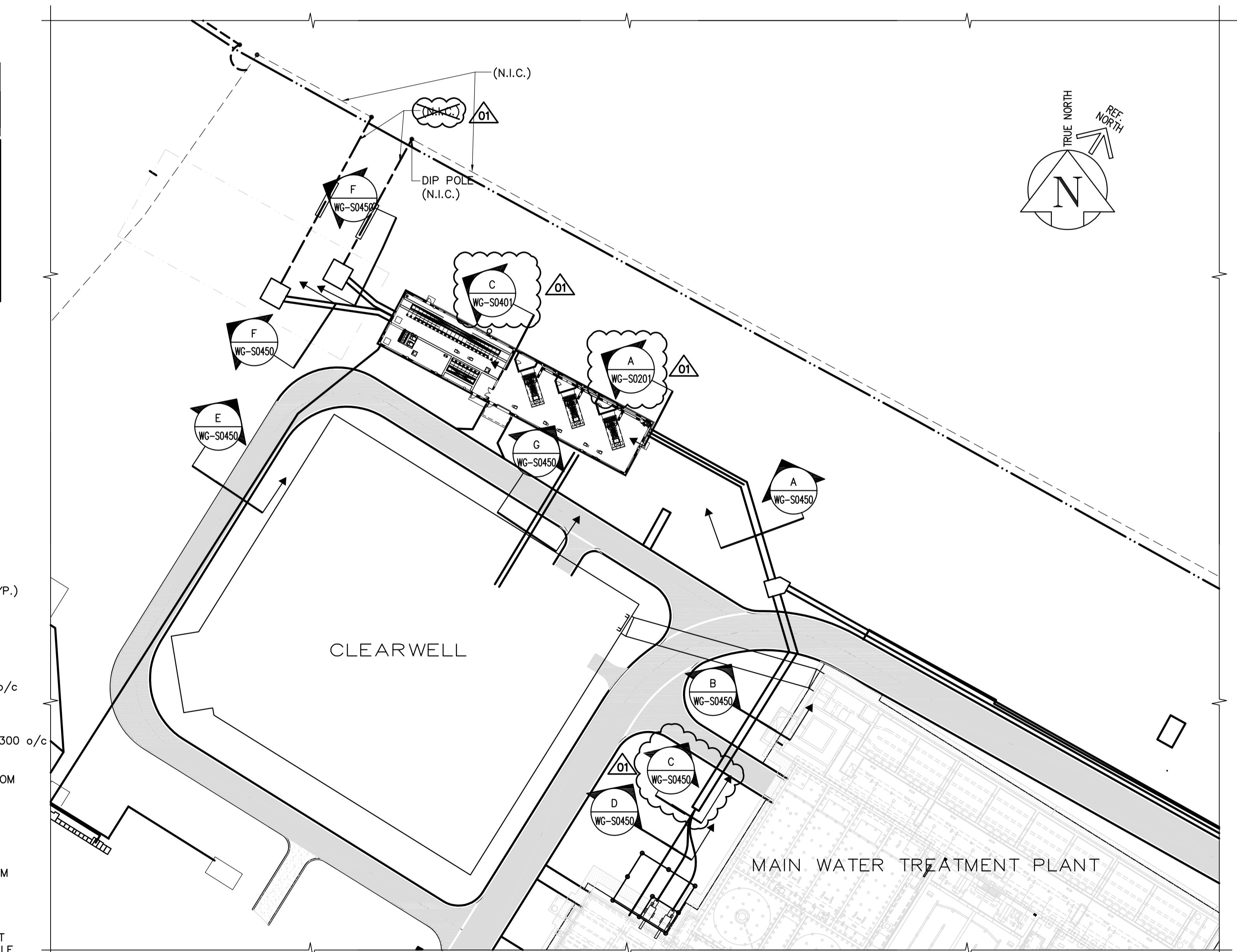
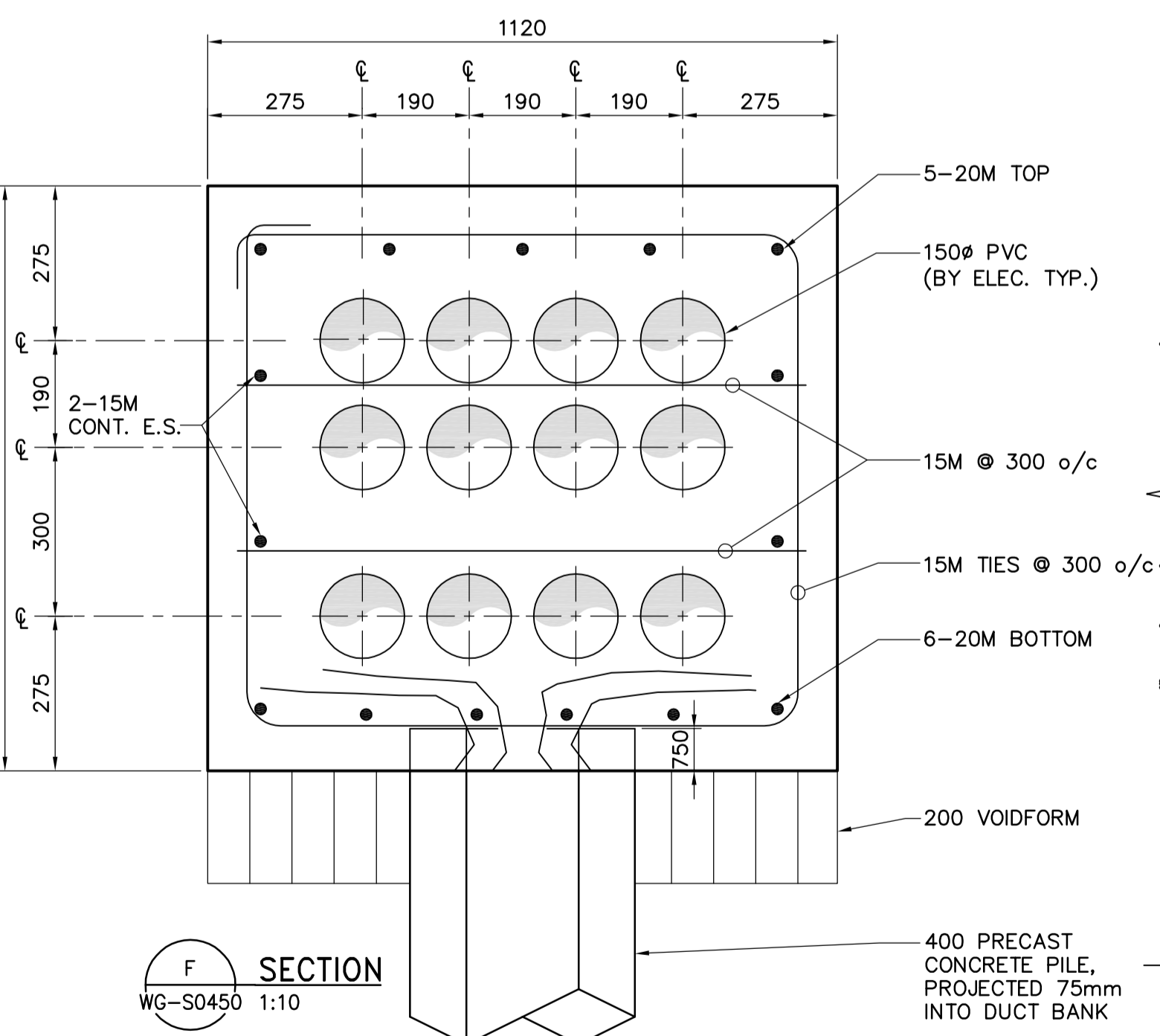
D SECTION
WG-S0450 1:10



F SECTION
WG-S0450 1:10



G SECTION
WG-S0450 1:10



PLAN VIEW
SCALE: N.T.S.



B.M. ELEV.				CH2M HILL	EarthTech A Tyco International Ltd. Company	ENGINEER'S SEAL
				Frederickson Cooper ARCHITECTS		ORIGINAL SIGNED BY
				DESIGNED BY: AP/GGP	CHECKED BY: MK	A. POCHANART
				DRAWN BY: CMF	APPROVED BY: AHL	2006/08/30
				SCALE: AS SHOWN	RELEASED FOR CONSTRUCTION BY: R. SOROKOWSKI	CONSULTANT DRAWING NO. WG-S0450
01	498-2006 ADDENDUM 6	06/10/16	KK	DATE: 2006/06/16	DATE: 2006/08/30	
00	ISSUED FOR TENDER	06/08/28	CMF			
NO.	REVISIONS	DATE	BY			

THE CITY OF WINNIPEG
WATER AND WASTE DEPARTMENT
ENGINEERING DIVISION

**WATER TREATMENT PLANT
STANDBY POWER GENERATOR**

STRUCTURAL
DUCT BANK PLAN & SECTIONS

CITY FILE NUMBER
SHEET OF
CITY DRAWING NUMBER
1-0601G-A-S0450-001-01D