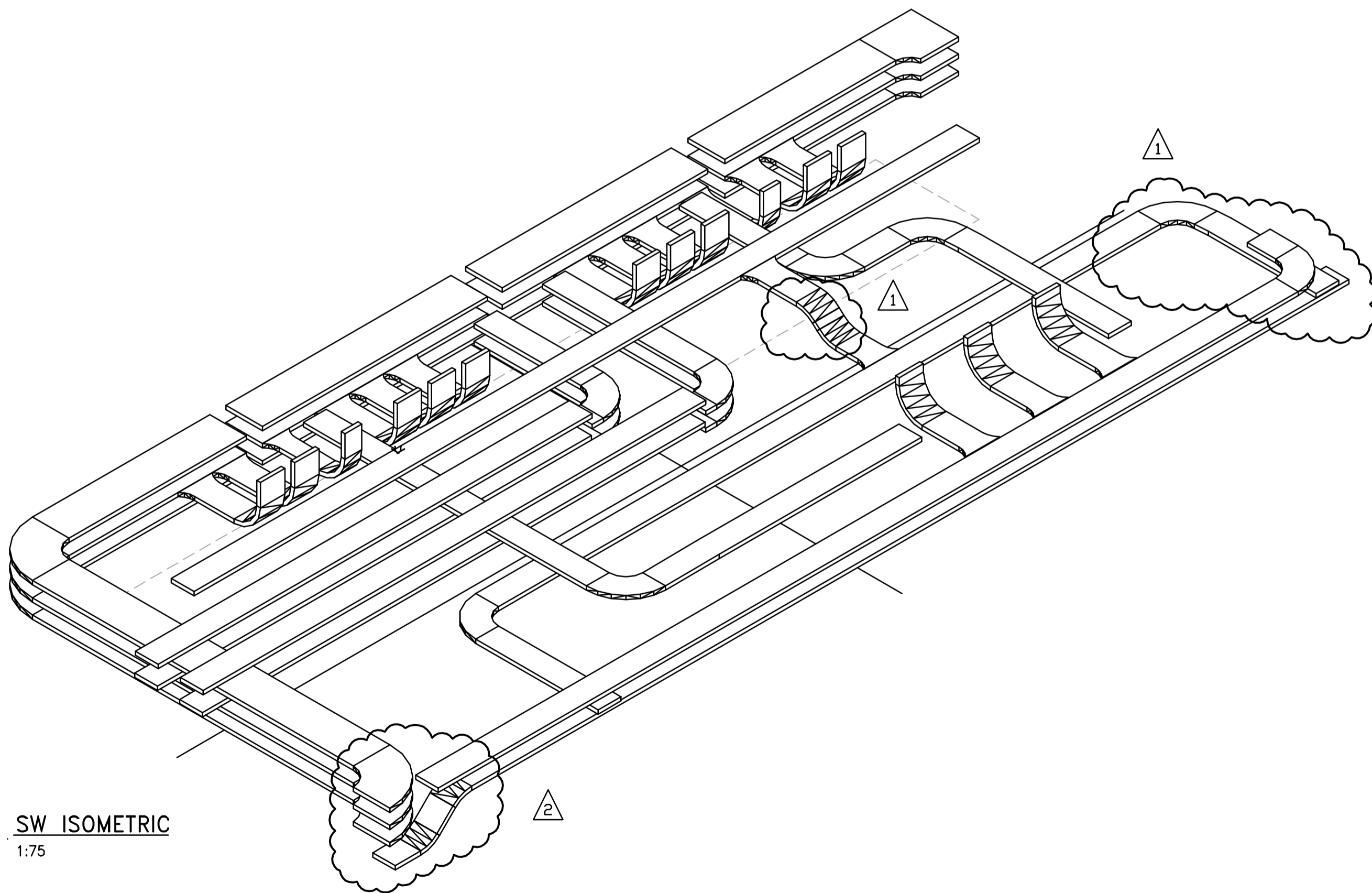


SE ISOMETRIC
1:100



SW ISOMETRIC
1:75

APEGM
Certificate of Authorization
Earth Tech Canada Inc.
No. 730 Expiry: April 30, 2007

NO.	REVISIONS	DATE	BY
02	498-2006 ADDENDUM 7	06/10/19	ERC
01	498-2006 ADDENDUM 3	06/09/29	ERC
00	ISSUED FOR TENDER	06/08/30	ERC

CH2MHILL
Frederickson Cooper
ARCHITECTS

EarthTech
A Tech International Ltd. Company

DESIGNED BY	BLM	CHECKED BY	PS
DRAWN BY	ERC	APPROVED BY	AHL
SCALE:	AS SHOWN	RELEASED FOR CONSTRUCTION BY:	R. SOROKOWSKI
DATE	2006/06/13	DATE	2006/08/30

ENGINEER'S SEAL

ORIGINAL SIGNED BY
B.L. MOORE
2006/08/30

CONSULTANT DRAWING NO.
WG-E0404

THE CITY OF WINNIPEG
WATER AND WASTE DEPARTMENT
ENGINEERING DIVISION

WATER TREATMENT PLANT
STANDBY POWER GENERATOR
GENERATOR BUILDING

ELECTRICAL
CRAWLSPACE CABLE TRAY DETAILS

CITY FILE NUMBER
SHEET OF
CITY DRAWING NUMBER
1-0601G-A-E0404-001-02D