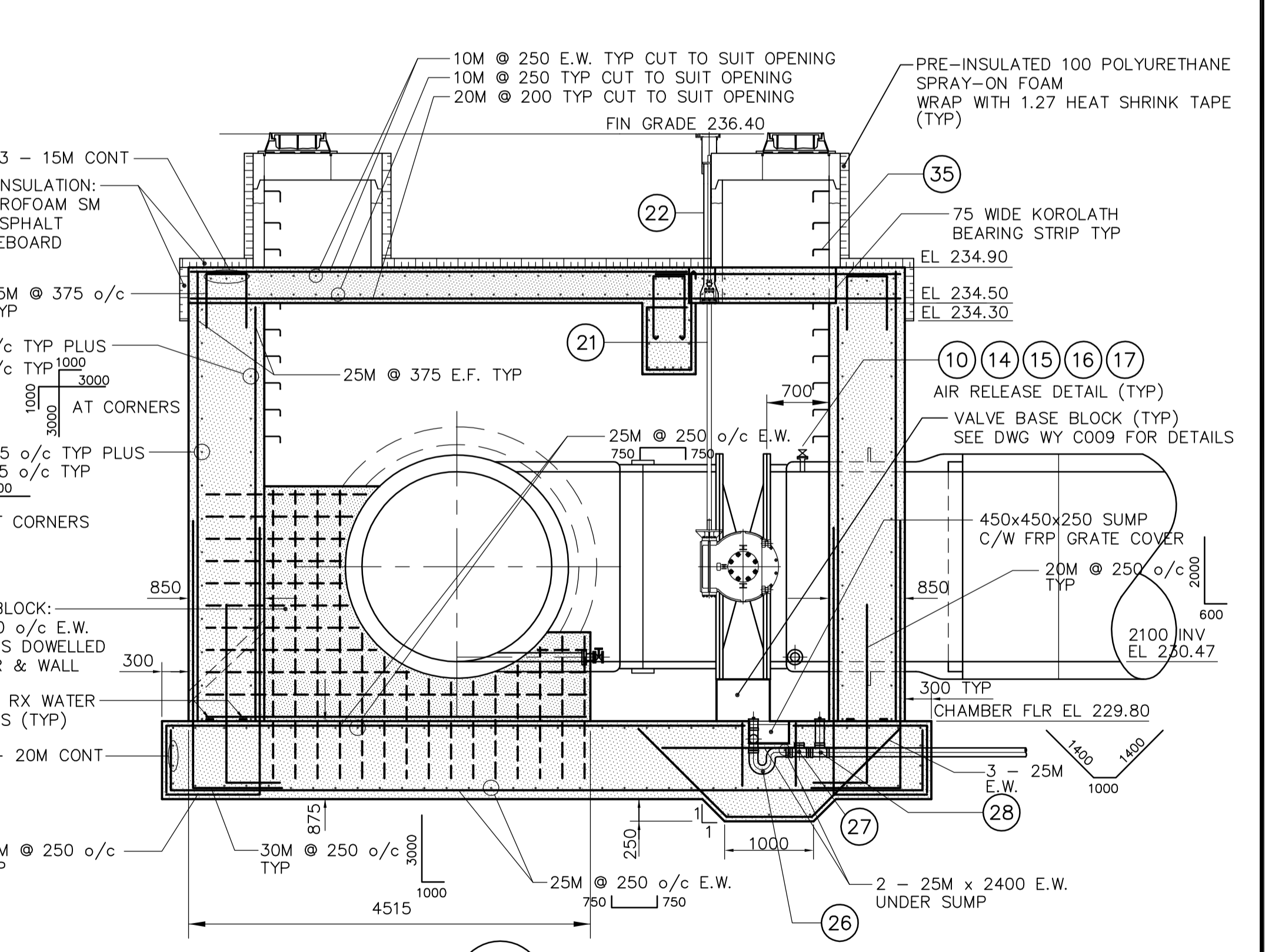
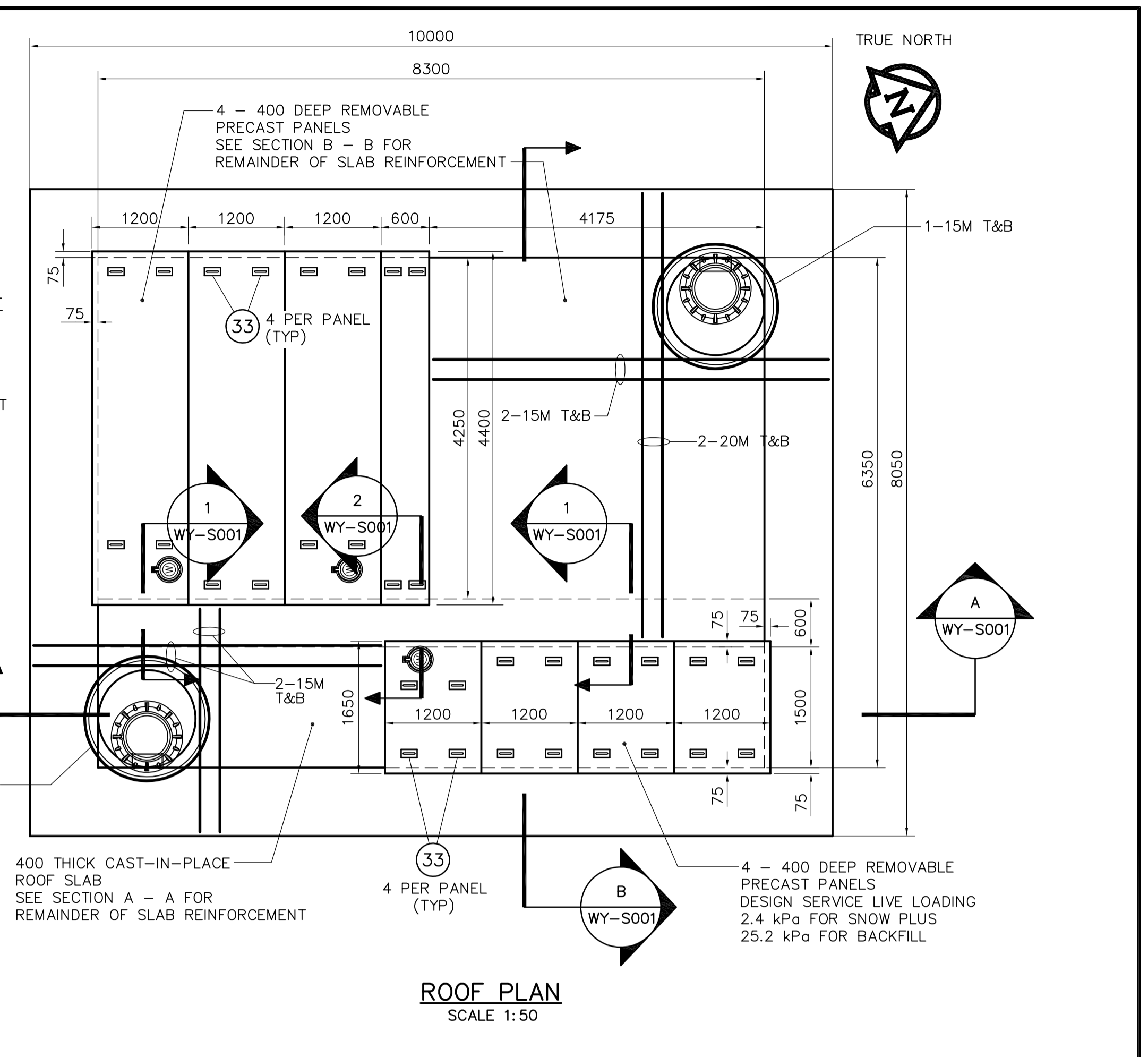
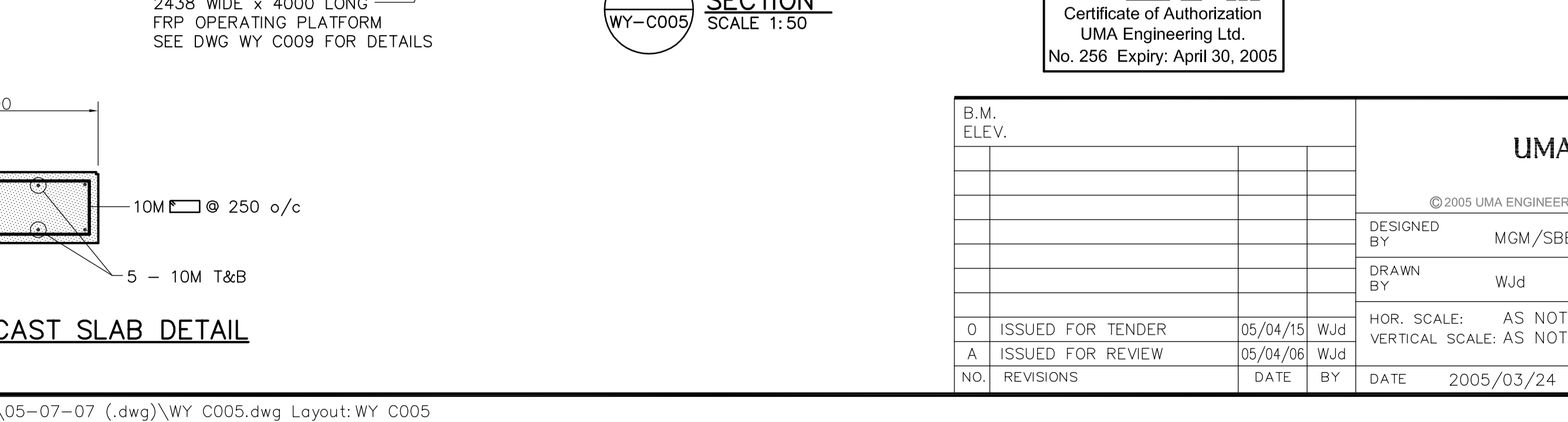
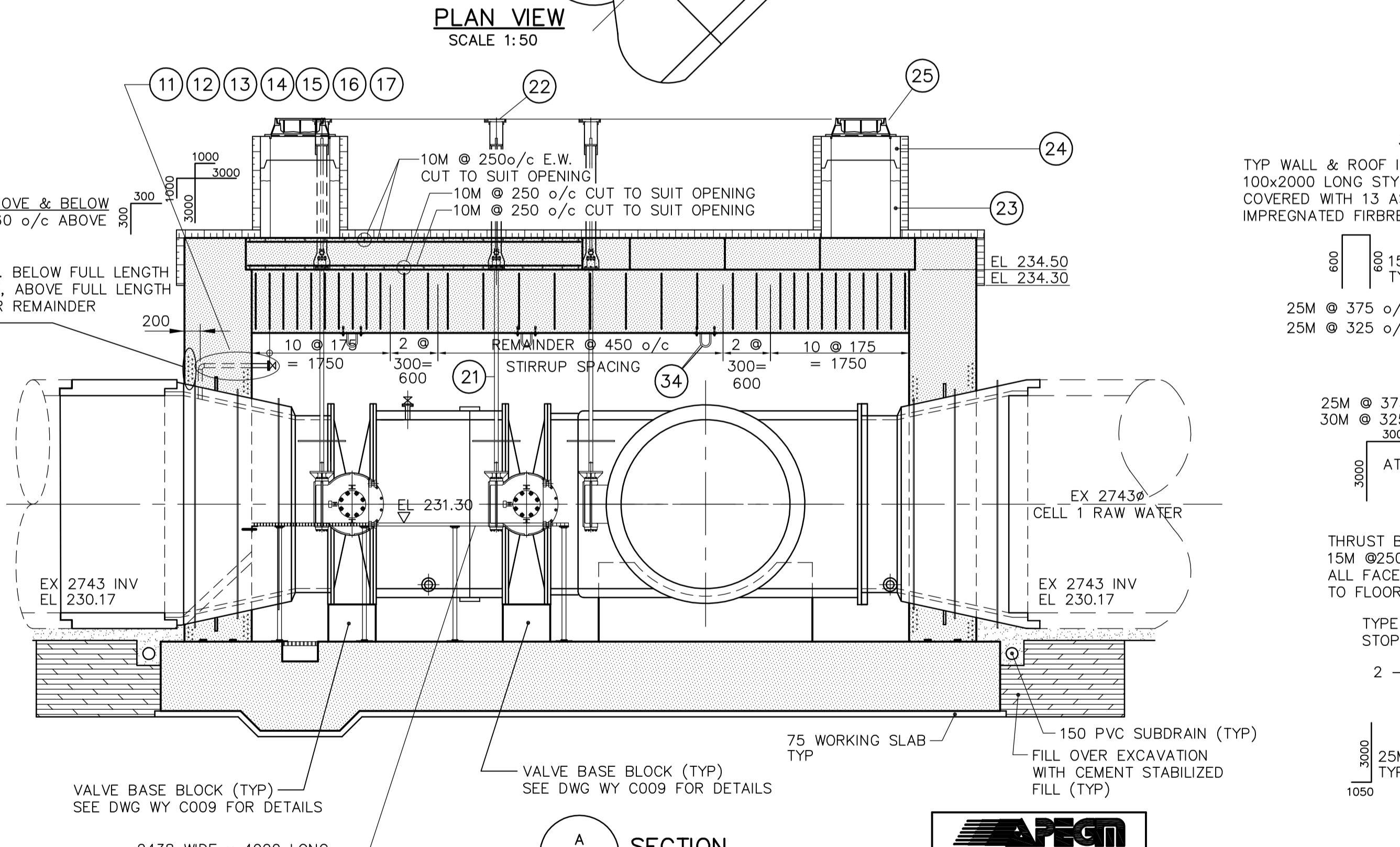
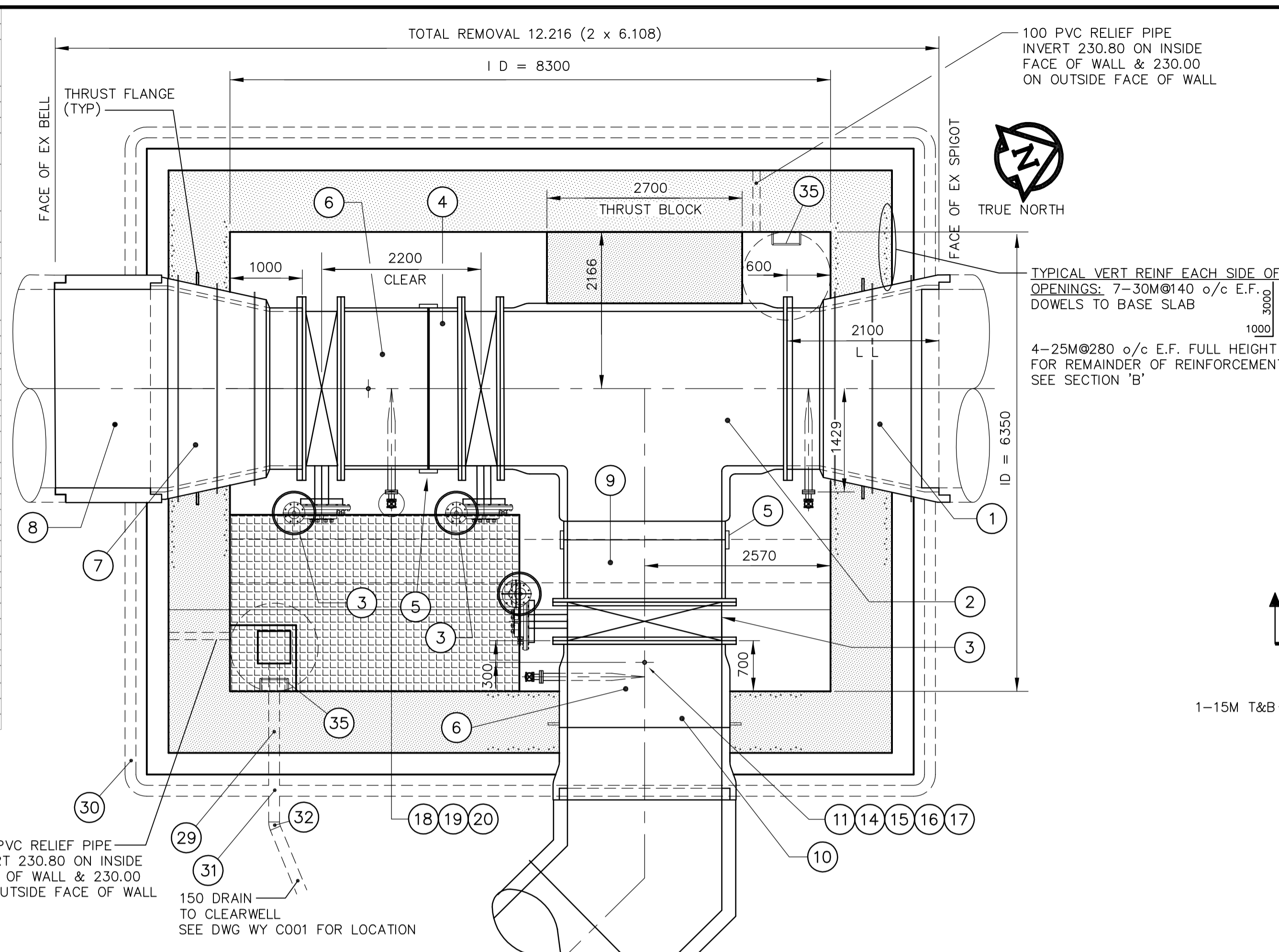
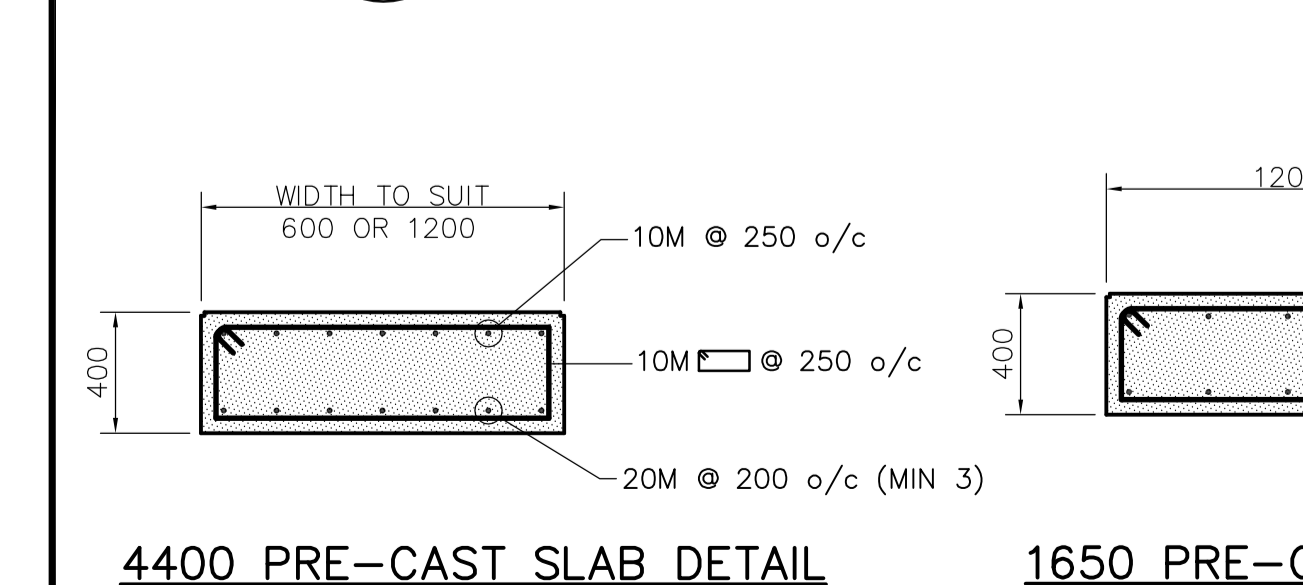
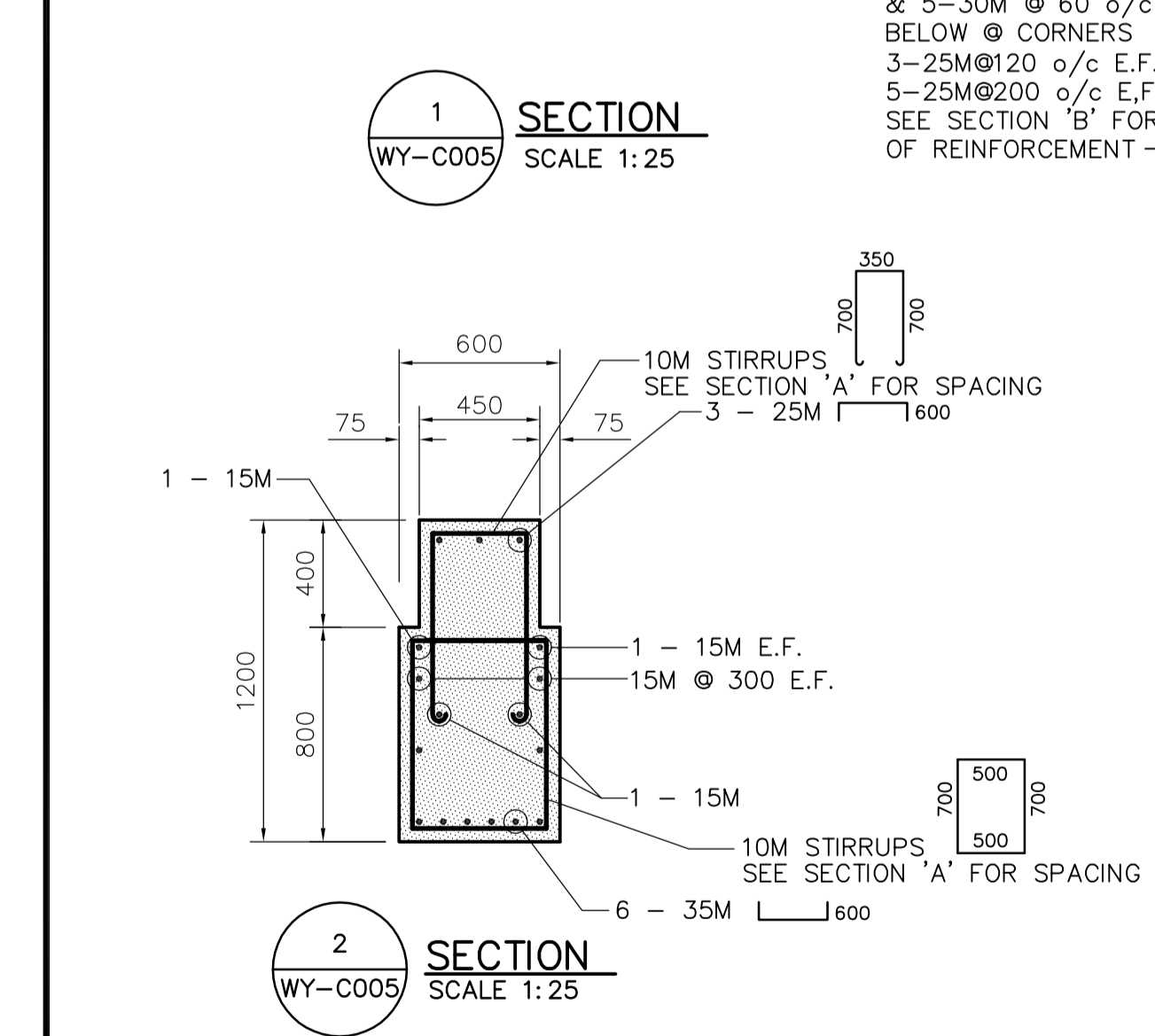
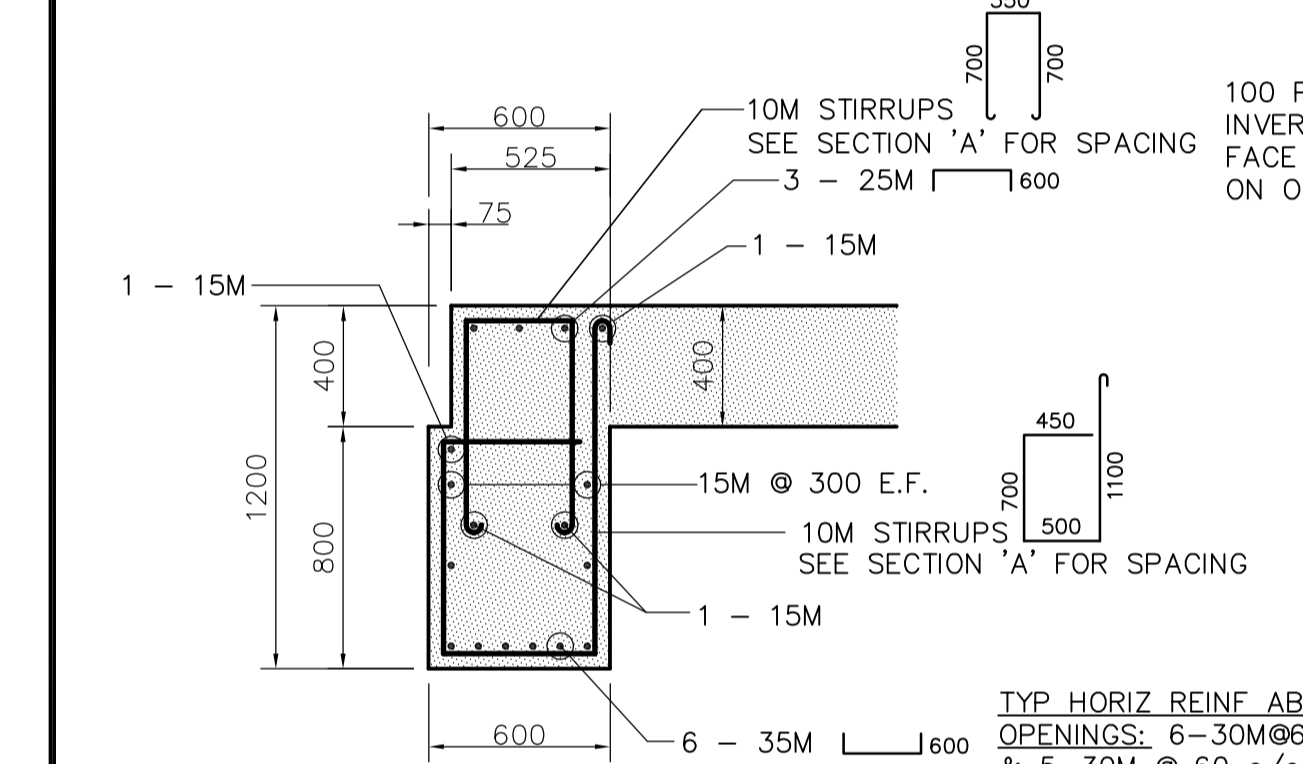


ITEM	DESCRIPTION	LENGTH	NUMBER
1	2743 X 2133 AWWA C301 CONCENTRIC REDUCER, SXF, C/W THRUST FLANGE, 100 BOTTOM TANGENT FLANGED OUTLET (300 FROM FACE OF FLANGE), AND 50 THREADED OUTLET (TOP)	2100	1
2	2133 AWWA C301 TEE F/FX PE	3938	1
3	2133 AWWA C504 BUTTERFLY VALVE (BY OTHERS)	533	3
4	2133 SPOOL PIECE F X PE + 300 TRIM ALLOWANCE	450	1
5	2133 AWWA C219 BOLTED SLEEVE COUPLER (250 I X 12 THICK SLEEVE)	-	2
6	2133 SPOOL PIECE F X PE, C/W 100 BOTTOM TANGENT FLANGED OUTLET (500 FROM FACE OF FLANGE) AND 50 THREADED OUTLET (TOP)	1200	1
7	2743 X 2133 AWWA C301 CONCENTRIC REDUCER, BXF, C/W THRUST FLANGE, AND 50 THREADED OUTLET (TOP)	2100	1
8	2743 AWWA C301 PIPE SHORT SXB	To Suit	1
9	2133 SPOOL PIECE F X PE, + 300 TRIM ALLOWANCE	860	1
10	2133 WALL PIECE F X B, C/W THRUST FLANGE, 100 BOTTOM TANGENT FLANGED OUTLET (300 FROM FACE OF FLANGE), AND 50 THREADED OUTLET (TOP)	2200	1
11	50 SCHEDULE 80 STEEL NIPPLE (THREADED)	200	3
12	50 STEEL 90° ELBOW (THREADED)	-	1
13	50 SCHEDULE 80 STEEL NIPPLE (THREADED)	800	1
14	50 STEEL FLANGE CL 125 (THREADED) C/W ISOLATION KIT	-	3
15	50 CAST BRONZE OR BRASS FLANGE (THREADED)	-	3
16	50 CAST BRONZE OR BRASS NIPPLE (THREADED)	125	3
17	50 BRONZE GATE VALVE (THREADED)	-	3
18	100 X 75 CAST BRONZE OR BRASS REDUCING FLANGE C/W INSULATING KIT	-	3
19	75 CAST BRONZE OR BRASS NIPPLE (THREADED)	125	3
20	75 BRONZE GATE VALVE (THREADED)	-	3
21	50 VALVE STEM EXTENSION	TO SUIT	3
22	STD CITY OF WINNIPEG VALVE BOX C/W PVC RISER	-	2
23	1200 PRECAST MANHOLE RISER	TO SUIT	2
24	1200X750 PRECAST MH FLATTOP REDUCER	-	2
25	STD CITY OF WINNIPEG MANHOLE FRAME AND SOLID COVER	-	2
26	100 PVC DWV P' TRAP AND DRAIN C/W TEE & 250X100 PVC DRAIN	-	1
27	100 BACKWATER VALVE	-	1
28	100 PVC CLEANOUT	-	1
29	100 DRAIN	-	1
30	150 SUBDRAIN	40 m	1
31	150 DOUBLE Y' C/W 150 TO 100 REDUCER	-	1
32	150 22.5° PVC BEND	-	1
33	REMOVABLE SLAB LIFTING LUG	-	32
34	U-BOLT LIFTING HOOKS	-	3
35	STANDARD CITY OF WINNIPEG DRIVE IN ALUMINUM STEPS	-	44

NOTE: REDUCER 7 & PIPE SHORT 8 MAY BE COMBINED INTO A SINGLE PIPE



<p>UMA AECOM</p> <p>© 2005 UMA ENGINEERING LTD. ALL RIGHTS RESERVED.</p> <p>DESIGNED BY: MGM/SBB CHECKED BY: SBB</p> <p>DRAWN BY: WJd APPROVED BY: Bryan Weber</p> <p>HOR. SCALE: AS NOTED VERTICAL SCALE: AS NOTED</p> <p>RELEASED FOR CONSTRUCTION BY: R. A. Sorokowski</p> <p>NO. REVISIONS: 0 DATE: 05/04/15 BY: WJd</p> <p>DATE: 2005/03/24 DATE: April 17, 2005</p>		<p>ENGINEER'S SEAL</p> <p>ORIGINAL SIGNED BY: S. B. BISWANGER 2005/04/15</p> <p>CONSULTANT DRAWING NO. WY C005</p>	<p>THE CITY OF WINNIPEG WATER AND WASTE DEPARTMENT ENGINEERING DIVISION</p> <p>WINNIPEG WATER TREATMENT PROGRAM CONSTRUCTION OF YARD PIPING AND VALVE CHAMBERS</p> <p>YARD PIPING - CELL 1 RAW WATER VALVE CHAMBER SECTIONS & DETAILS</p> <p>CITY FILE NUMBER: - SHEET 1 OF 1 CITY DRAWING NUMBER: I-0601-C-C0005-001-00D</p>
---	--	--	---