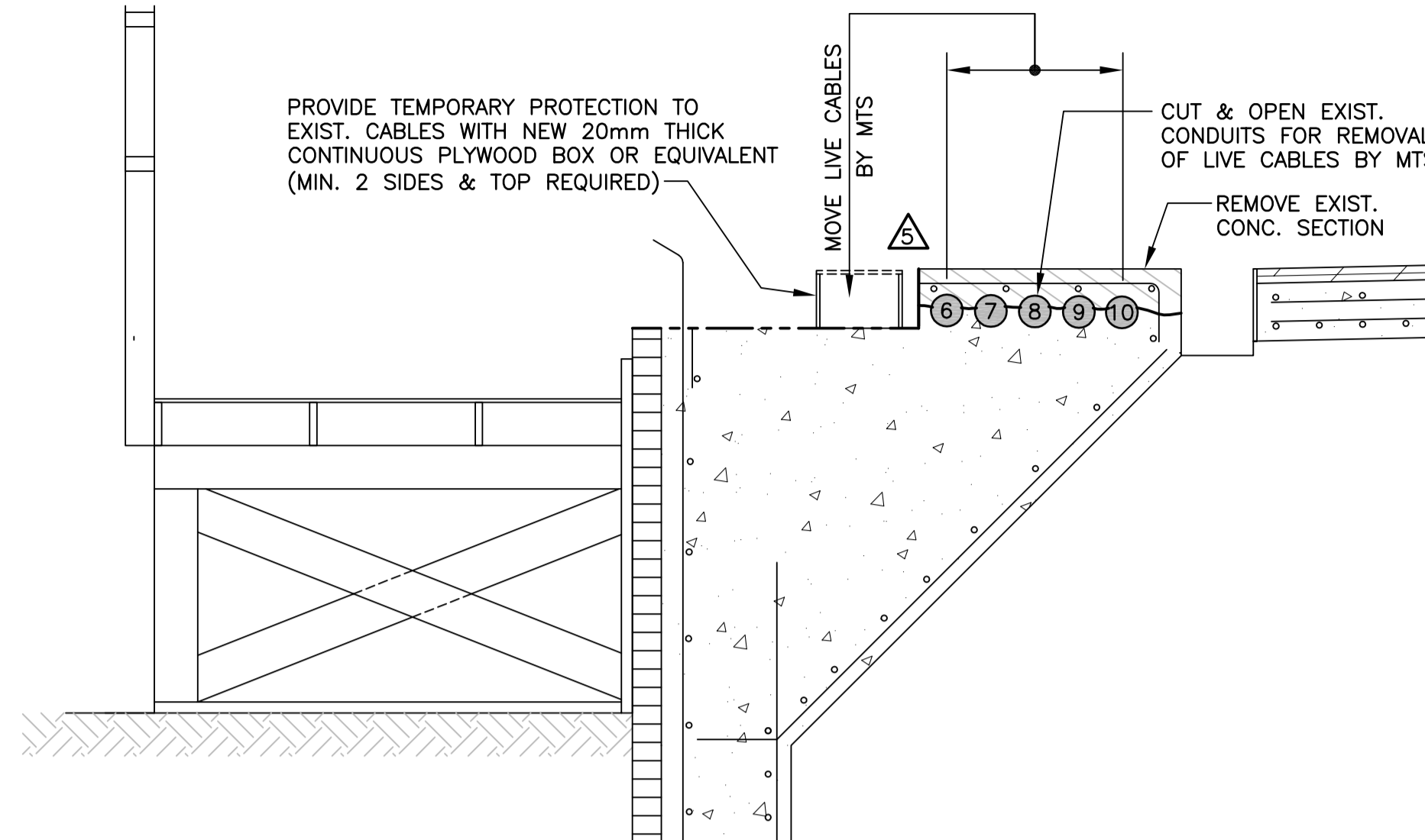


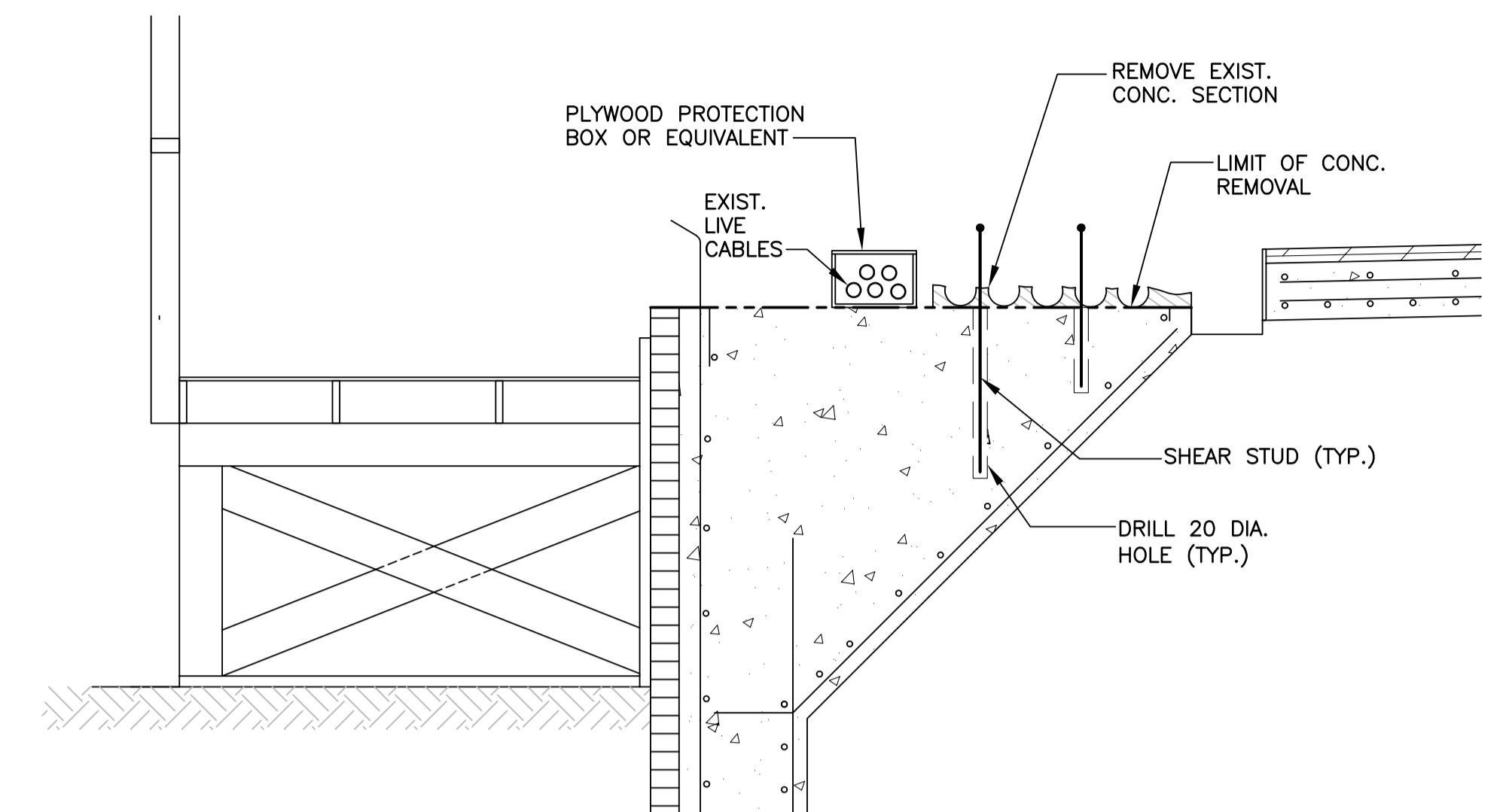
STAGE 1

- A. INSTALL FALSEWORK PLATFORM. FALSEWORK SHOWN IS CONCEPTUAL ONLY AND IS TO BE DESIGNED BY THE CONTRACTOR.
- B. REMOVE CONCRETE AND CONDUITS 1 TO 5.
- C. DO NOT DAMAGE EXISTING REINFORCING STEEL SHOWN IN NEXT STAGE TO REMAIN.



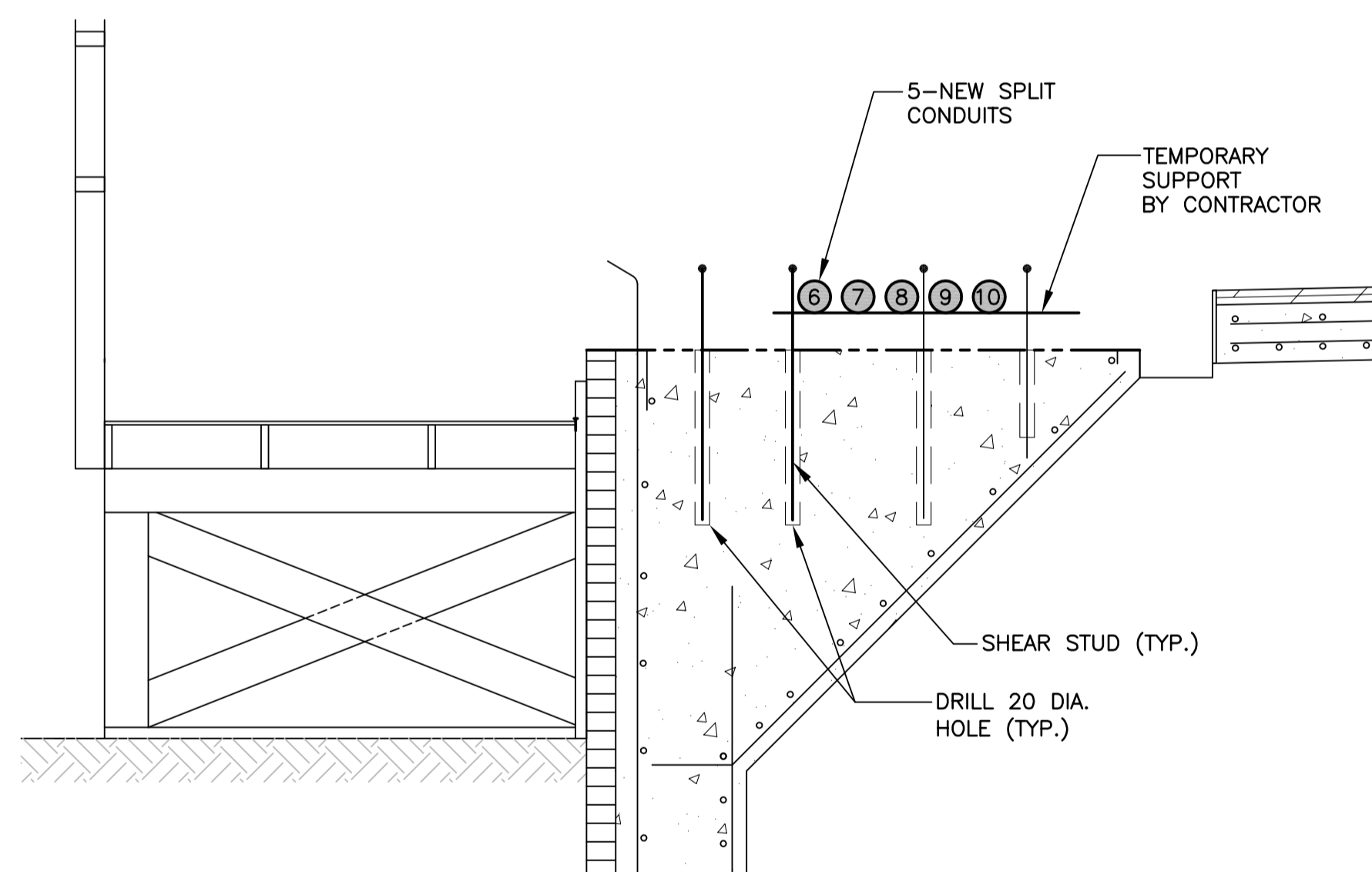
STAGE 2

- A. REMOVE CONCRETE AND OPEN TOP OF EXIST. CONDUITS 6 TO 10.
- B. MTS TO MOVE CABLES FROM OPENED CONDUITS TO TEMPORARY LOCATION.
- C. CONSTRUCT TEMPORARY PROTECTION BOX OVER CABLES. SAME DAY



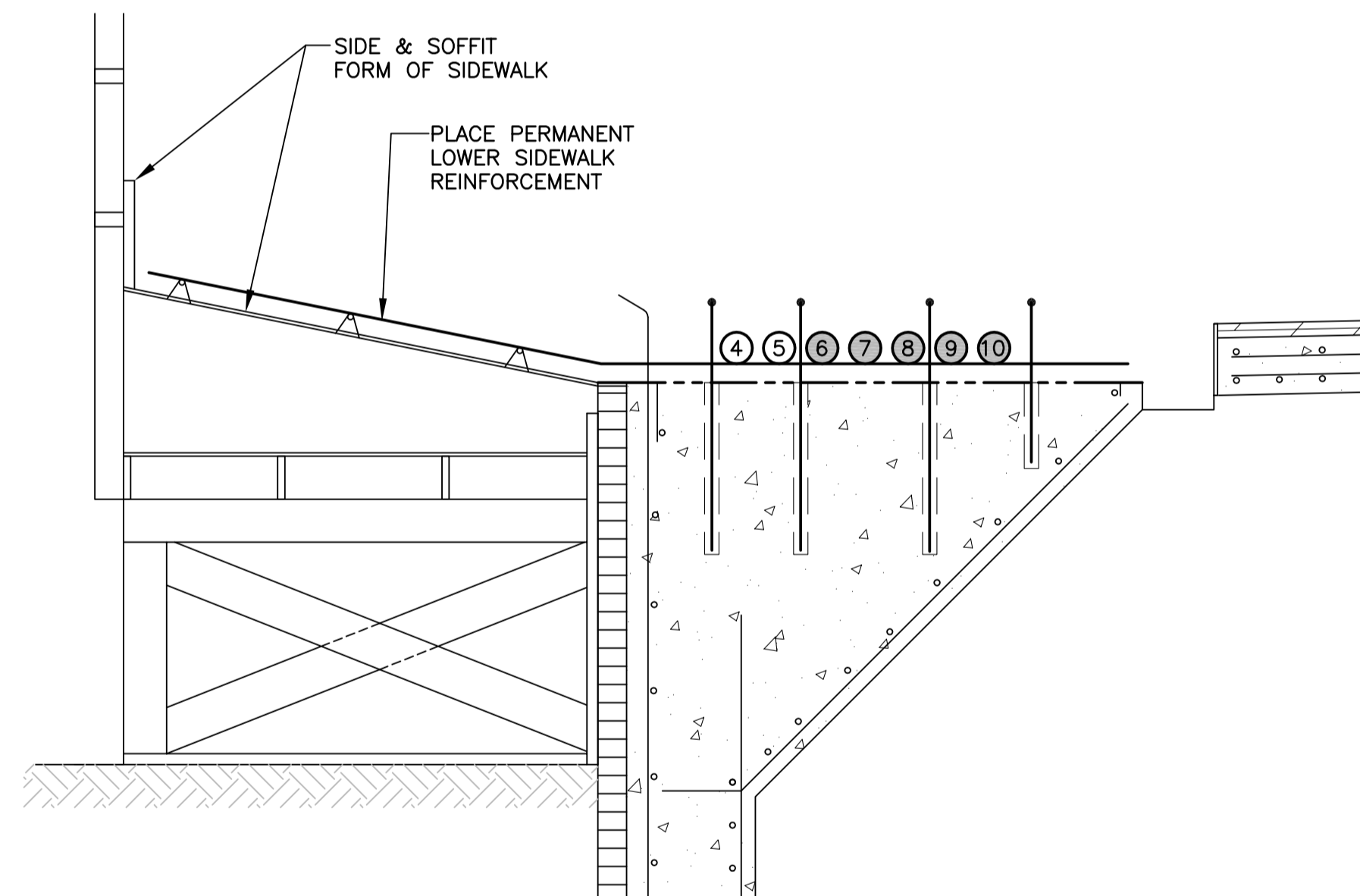
STAGE 3

- A. REMOVE REMAINING CONCRETE.
- B. DRILL HOLES AND INSTALL SHEAR STUDS.



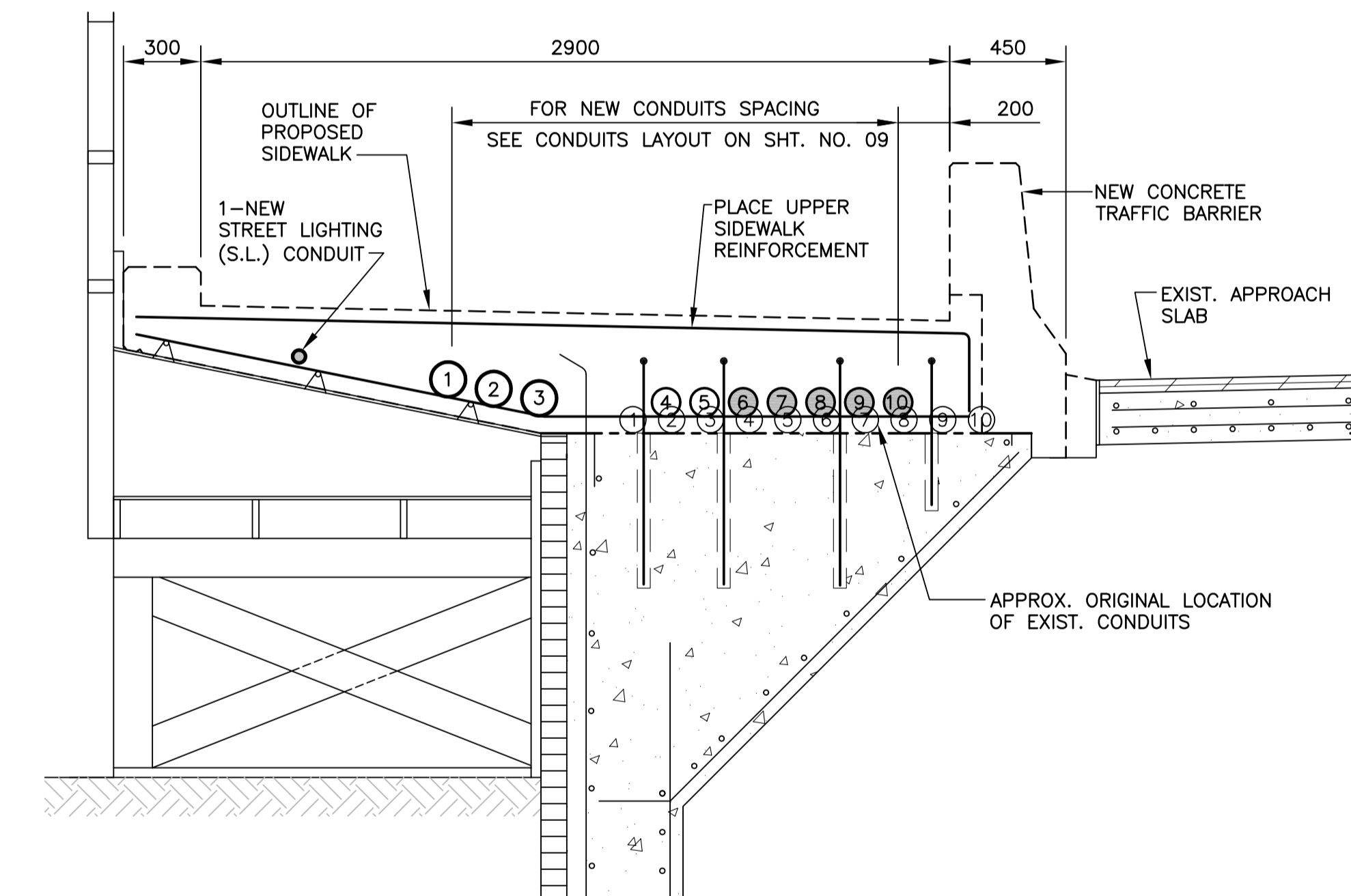
STAGE 4

- A. PLACE BOTTOM OF SPLIT CONDUIT 6 TO 10.
- B. MTS TO MOVE CABLES FROM TEMPORARY LOCATION TO SPLIT CONDUITS.
- C. CLOSE CONDUITS 6 TO 10.
- D. DRILL HOLES AND INSTALL REMAINING SHEAR STUDS.



STAGE 5

- A. CONSTRUCT SIDE AND SOFFIT FORM OF SIDEWALK.
- B. PLACE PERMANENT LOWER SIDEWALK REINFORCING.
- C. PLACE PERMANENT REINFORCEMENT SUPPORTING CONDUITS.
- D. PLACE NEW EMPTY CONDUITS 4 & 5.



STAGE 6

- A. PLACE NEW EMPTY CONDUITS 1 TO 3 AND NEW STREET LIGHTING (S.L.) CONDUIT.
- B. PLACE UPPER SIDEWALK REINFORCEMENT AND CONCRETE.

LEGEND

- EXIST. CONC. REMOVAL
- LIMIT OF CONC. REMOVAL
- OCCUPIED CONDUIT
- EMPTY CONDUIT

NOTES:

- 1. MTS CABLES EXIST IN CONDUIT NUMBERS 6 TO 10 AND ARE LIVE AND NOT TO BE DAMAGED DURING CONSTRUCTION. EXISTING CONDUITS 1 TO 5 ARE EMPTY AND ARE TO BE REMOVED WITHOUT SALVAGING.
- 2. SHOWN ON THIS DRAWING ARE STAGES OF REMOVAL AND PLACEMENT OF CONDUITS ON APPROACH SIDEWALK INTEGRAL WITH THE WINGWALLS.
- 3. THE FINAL METHOD OF PLACING AND HOLDING DOWN UTILITY CONDUITS IS TO BE DESIGNED AND SUPPLIED BY THE CONTRACTOR.

B.M. ELEV.	DESIGNED BY R.A.W.	ENGINEER'S SEAL	ENGINEER'S SEAL
	DRAWN BY N.B.G.		
	CHECKED BY R.A.W.		
	REVIEWED BY R.A.W.	RELEASED FOR CONSTRUCTION ORIGINAL SIGNED BY B. EBENSPANGER	CONSULTANT PROJECT NO. 05-5069-1000
5 DIMENSION DELETED 02/22/06 N.B.G.	HOR. SCALE AS NOTED	DATE DEC. 2005	
4 ISSUED FOR TENDER 02/02/06 N.B.G.	VERTICAL		
3 ISSUED FOR CITY REVIEW 12/14/05 N.B.G.			
2 FOR MTS & HYDRO REVIEW 11/23/05 N.B.G.			
1 FOR MTS REVIEW 11/08/05 N.B.G.			
NO. REVISIONS	DATE	BY	DATE

CONSULTANT PROJECT NO. 05-5069-1000	

THE CITY OF WINNIPEG PUBLIC WORKS DEPARTMENT

Winnipeg

MARYLAND TWIN BRIDGES REHABILITATION PROJECT
 EAST BRIDGE REHABILITATION

TYPICAL UTILITY CONDUITS AT WINGWALLS PLACING ARRANGEMENT AND LAYOUT
 2 OF 3

CITY DRAWING NUMBER B108-06-08
 SHEET 08 OF 38