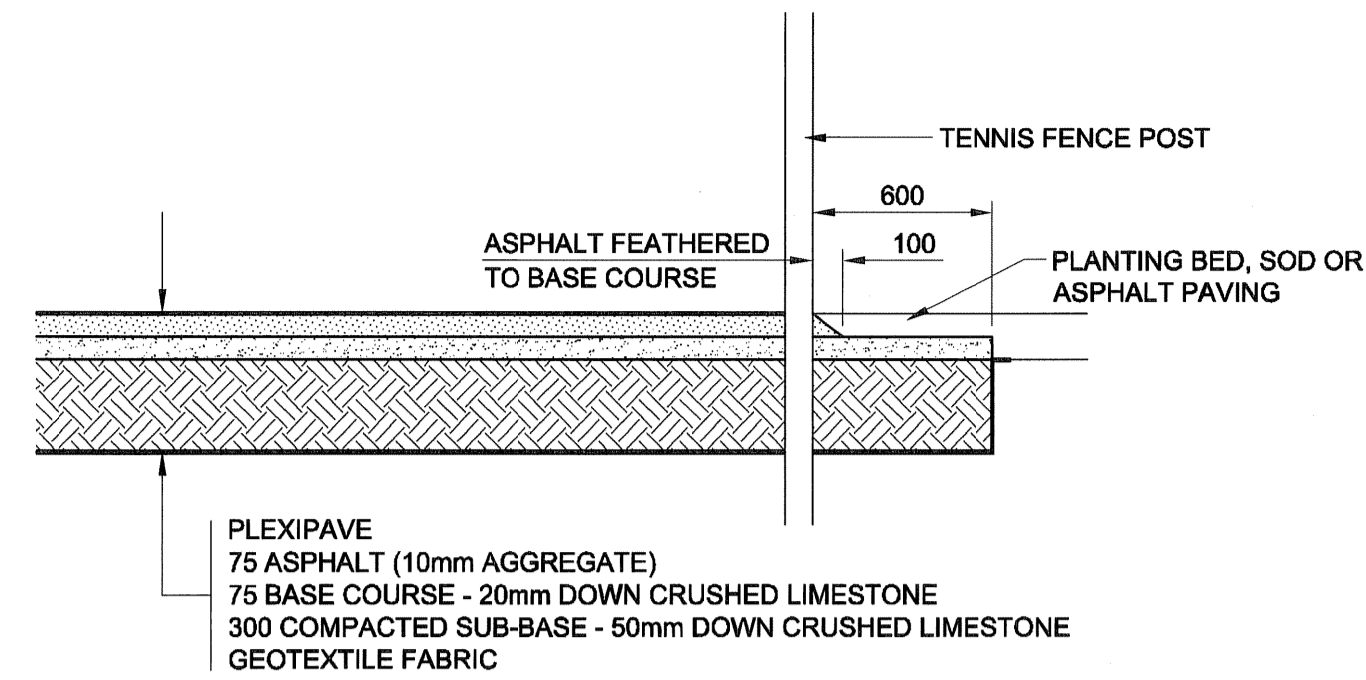
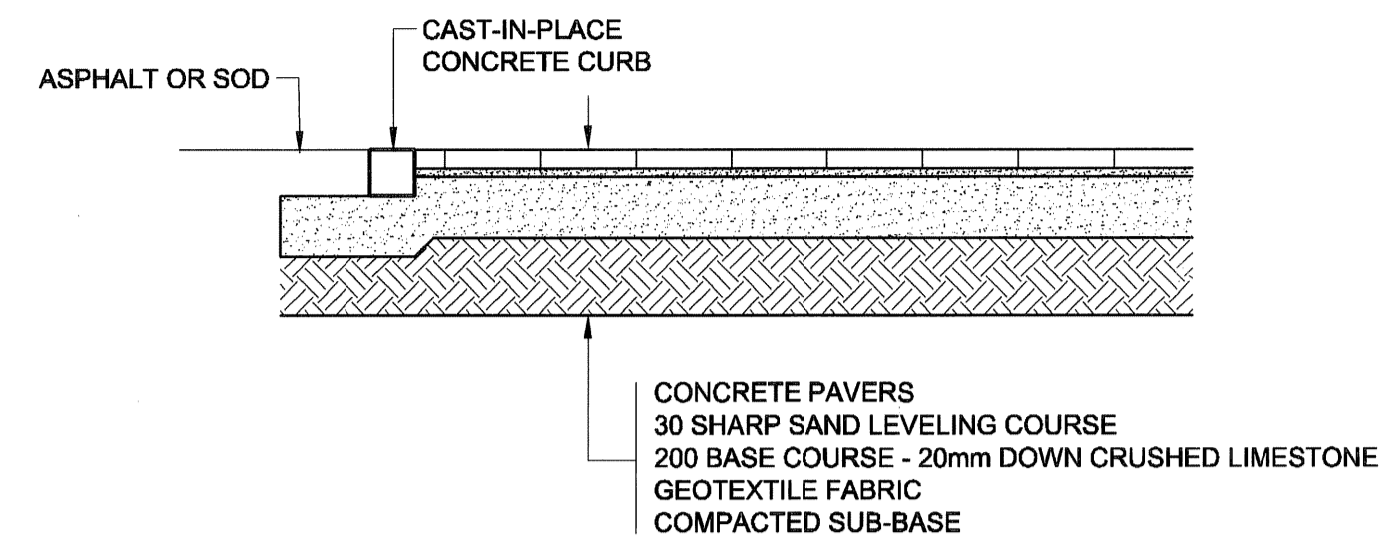


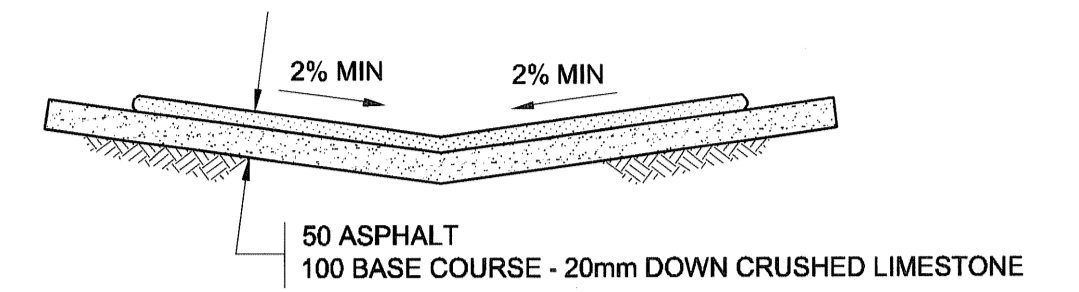
SECTION 8
PARKING LOT
SCALE 1:25



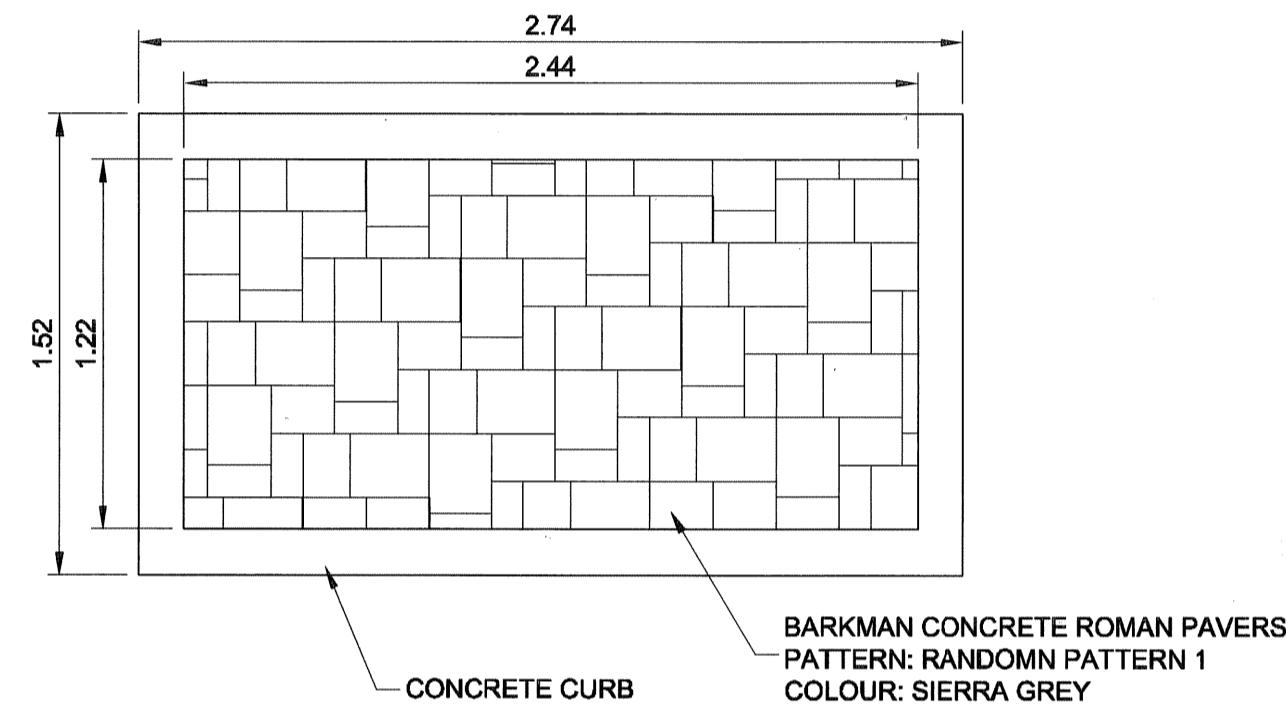
SECTION 9
TENNIS COURT PAVEMENT
SCALE 1:25



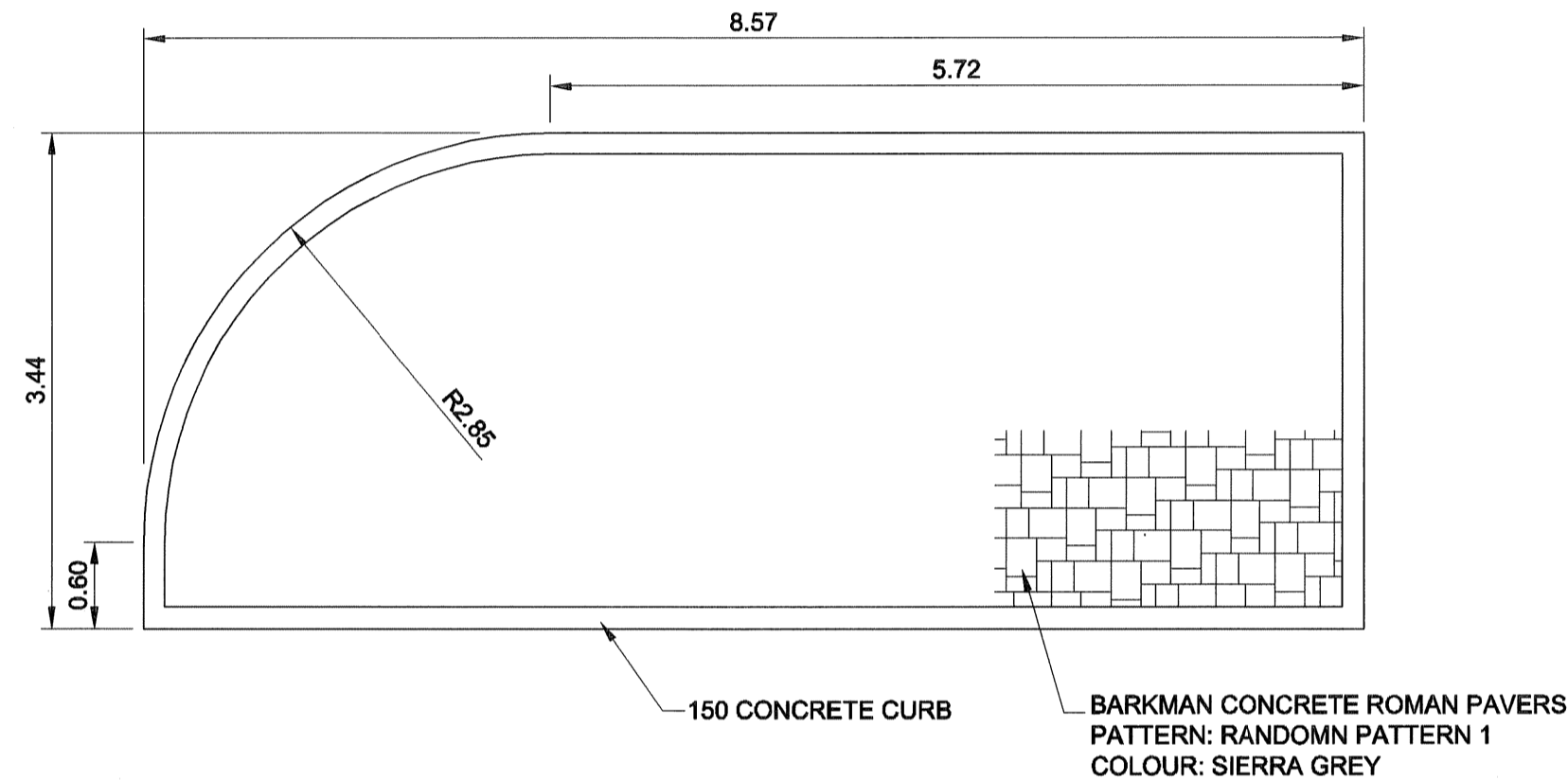
SECTION 10
CONCRETE PAVER AND CURB
SCALE 1:25



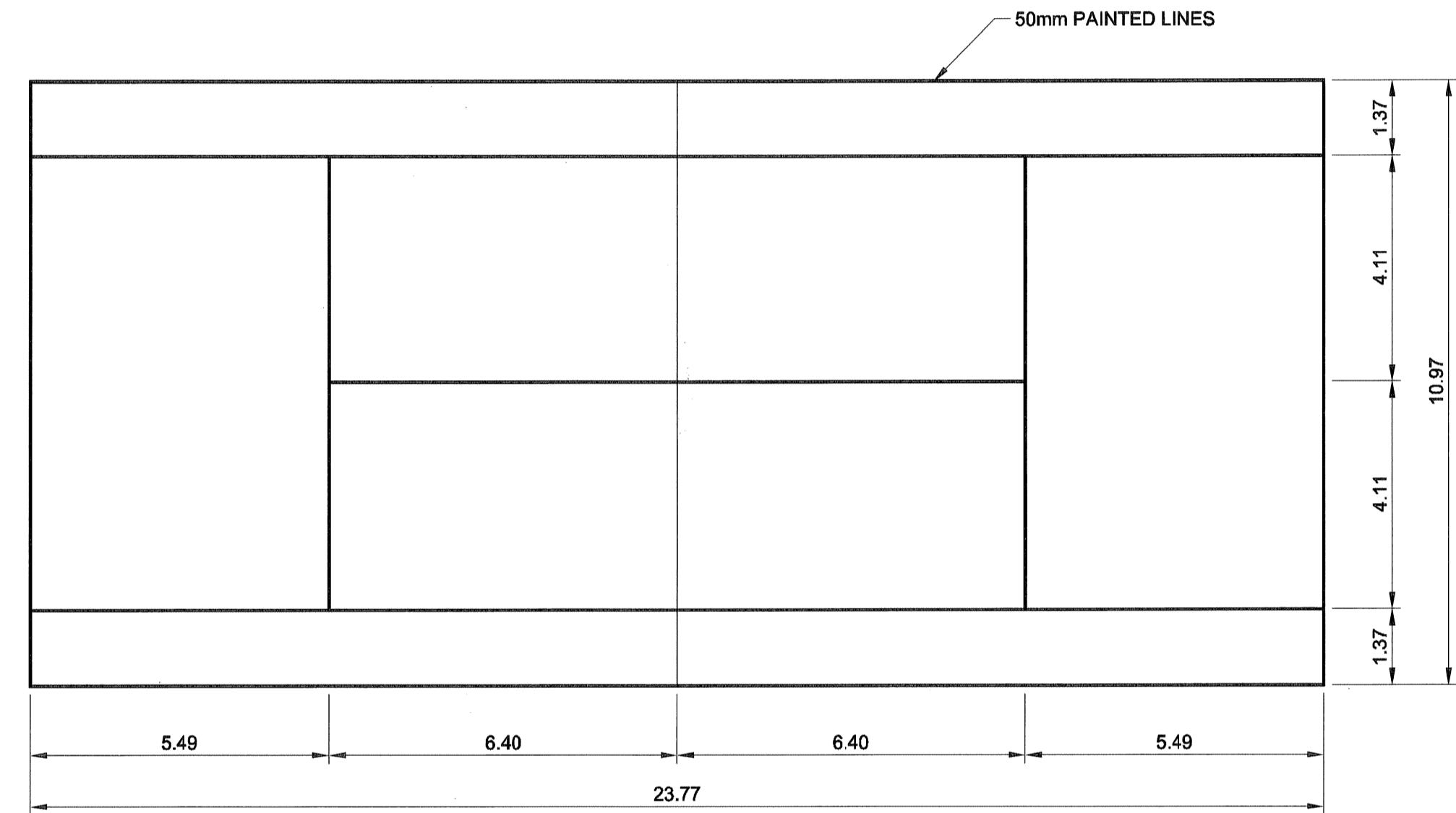
SECTION 11
SWALE DETAIL (SOUTH SIDE)
SCALE 1:25



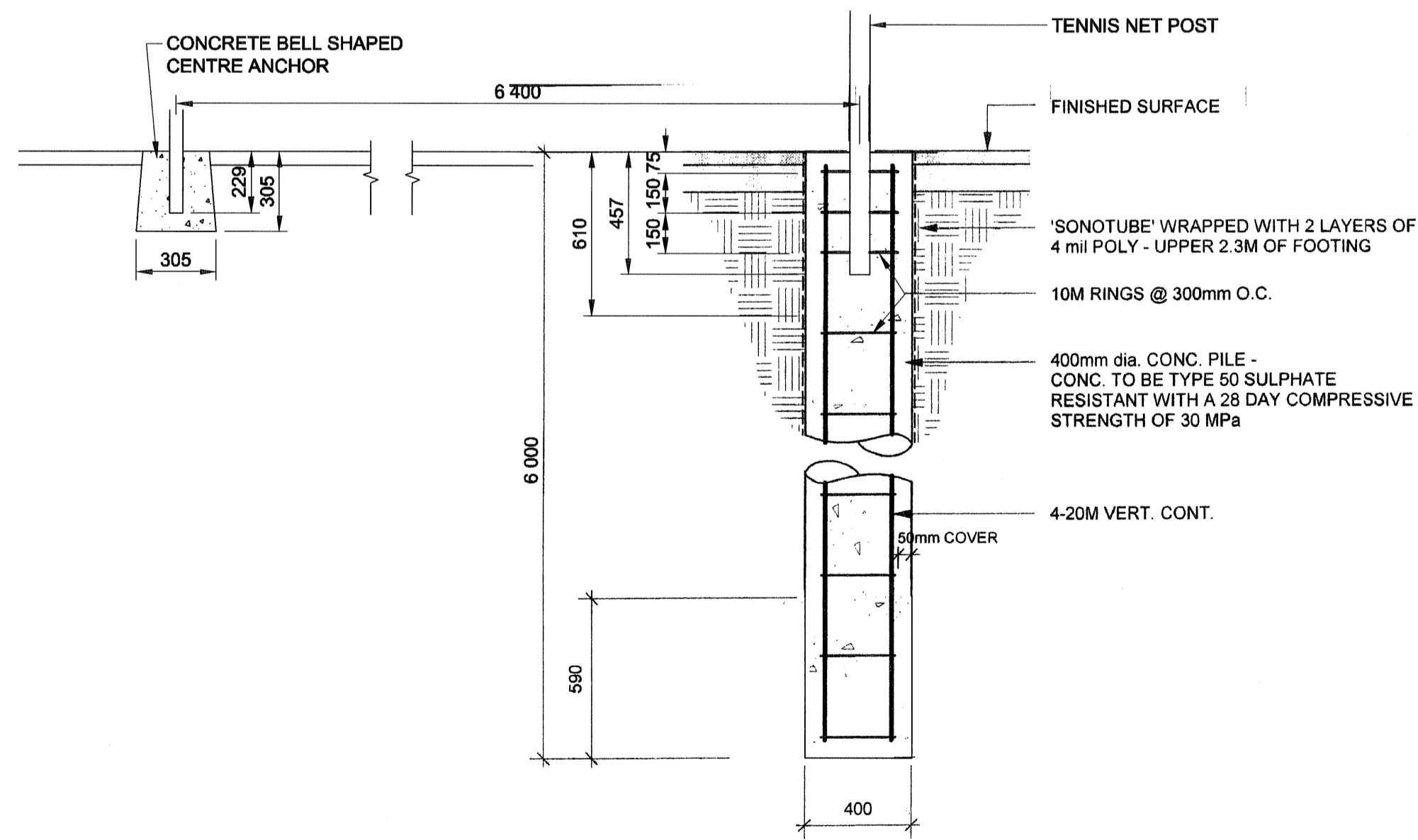
DETAIL 12
CONCRETE PAVING STONE LAYOUT
SCALE 1:25



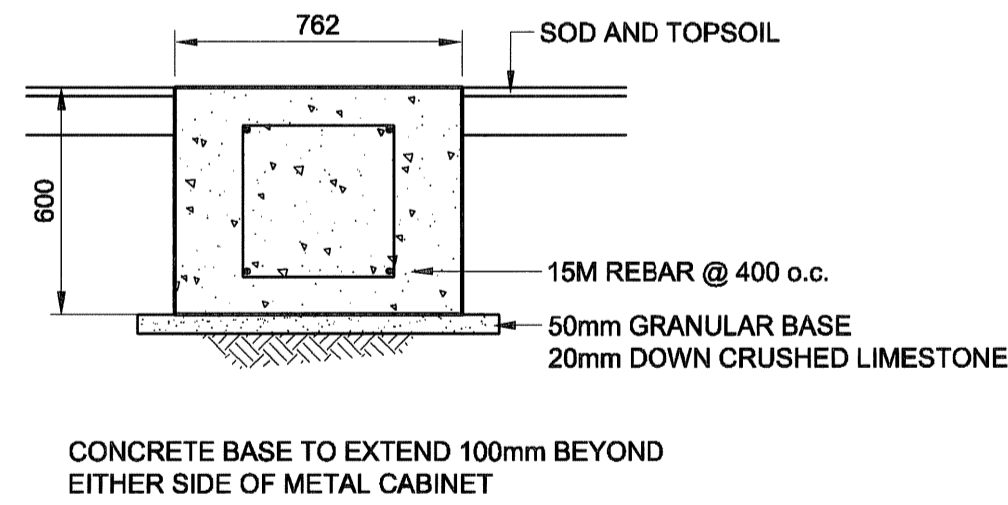
DETAIL 13
CONCRETE PAVING STONE LAYOUT
SCALE 1:50



DETAIL 14
TENNIS COURT LAYOUT
SCALE 1:100



DETAIL 15
TENNIS NET POST FOOTING AND CENTRE ANCHOR FOOTING
SCALE 1:20



DETAIL 16
ELECTRICAL CABINET BASE
SCALE 1:20

LOCATION APPROVED UNDERGROUND STRUCTURES

SUPR. U/G STRUCTURES	DATE

NOTE:
LOCATION OF UNDERGROUND STRUCTURES AS SHOWN ARE BASED ON THE BEST INFORMATION AVAILABLE. BUT NO GUARANTEE IS GIVEN THAT ALL EXISTING UTILITIES ARE SHOWN OR THAT THE GIVEN LOCATIONS ARE EXACT. CONFIRMATION OF EXISTENCE AND EXACT LOCATION OF ALL SERVICES MUST BE OBTAINED FROM THE INDIVIDUAL UTILITIES BEFORE PROCEEDING WITH CONSTRUCTION.

NO.	REVISIONS	YYMMDD	BY
1	ISSUED FOR ADDENDUM No 1	06/09/11	LJV
0	ISSUED FOR CONSTRUCTION	06/09/11	LJV
A	ISSUED FOR REVIEW	06/09/08	LJV

UMA AECOM <small>© 2006 UMA ENGINEERING LTD. ALL RIGHTS RESERVED.</small>	
DESIGNED BY: DH/LJV	CHECKED BY:
DRAWN BY: LJV	APPROVED BY:
HOR. SCALE: AS NOTED	RELEASED FOR CONSTRUCTION:
VERT. SCALE:	DATE: 06/09/11

PEGM
Certificate of Authorization
UMA Engineering Ltd.
No. 256 Expiry: April 30, 2007

PROFESSIONAL'S SEAL
W. T. JACKSON
Member
20782
REGISTERED PROFESSIONAL ENGINEER

CONSULTANT DRAWING NO. 005
0265-388-00

THE CITY OF WINNIPEG
PUBLIC WORKS DEPARTMENT

CINDY KLASSEN RECREATION COMPLEX
TENNIS COURTS REDEVELOPMENT

PAVEMENT DETAILS

CITY DRAWING NUMBER
SHEET 5 OF 7
REV 1

L5