

**ROOM FINISH SCHEDULE**

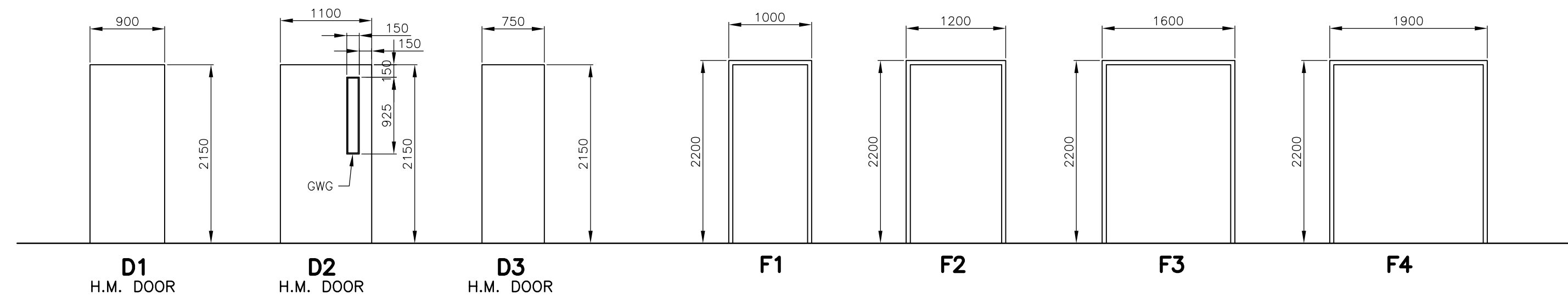
ROOM No.	ROOM NAME	FLOOR			NORTH WALL		SOUTH WALL		EAST WALL		WEST WALL		CEILING		HGT. AFF	REMARKS
		MAT.	FIN.	BASE	MAT.	FIN.	MAT.	FIN.	MAT.	FIN.	MAT.	FIN.	MAT.	FIN.		
101	HYPOCHLORITE-BRINE STORAGE	CONC	SEAL	SEAL	CONC BLK/ DRY WALL	PNT	CONC BLK/ DRY WALL	PNT	CONC BLK/ DRY WALL	PNT	CONC BLK/ DRY WALL	PNT	ST. DECK	PNT	11.750/ 7.300	
102	ELECTRICAL ROOM	CONC	SEAL	SEAL	CONC BLK	PNT	CONC BLK	PNT	CONC BLK	PNT	CONC BLK	PNT	CONC	PNT	3.795	
103	GENERATOR ROOM	CONC	SEAL	SEAL	CONC BLK	PNT	CONC BLK	PNT	CONC BLK	PNT	CONC BLK	PNT	CONC	PNT	3.795	
201	MEZZANINE FLR	CONC	SEAL	SEAL	CONC BLK	PNT	-	-	-	-	CONC BLK	PNT	ST. DECK	PNT	3.200	

**DOOR SCHEDULE**

MARK	WIDTHxHEIGHTxTHICKNESS	DOOR				FRAME					HARDWARE GROUP	RATING (HR)	REMARKS
		TYPE	MAT.	FINISH	GLASS	MAT.	FINISH	TYPE	JAMB	HEAD			
DR101A	2-900x2150x45	D1	HM	PNT	-	HM	PNT	F4	J1	H1	1	-	
DR101B	2-900x2150x45	D1	HM	PNT	-	HM	PNT	F4	J1	H1	1	-	
DR101C	1100x2150x45	D2	HM	PNT	GWG	HM	PNT	F2	J1	H1	3	0.75 FRR	NO THERMAL BREAK
DR102A	2-900x2150x45	D1	HM	PNT	-	HM	PNT	F4	J1	H1	1	-	
DR102B	900x2150x45	D1	HM	PNT	-	HM	PNT	F1	J2	H2	2	1.5 FRR	
DR103	2-750x2150x45	D3	HM	PNT	-	HM	PNT	F3	J2	H2	1	1.5 FRR	

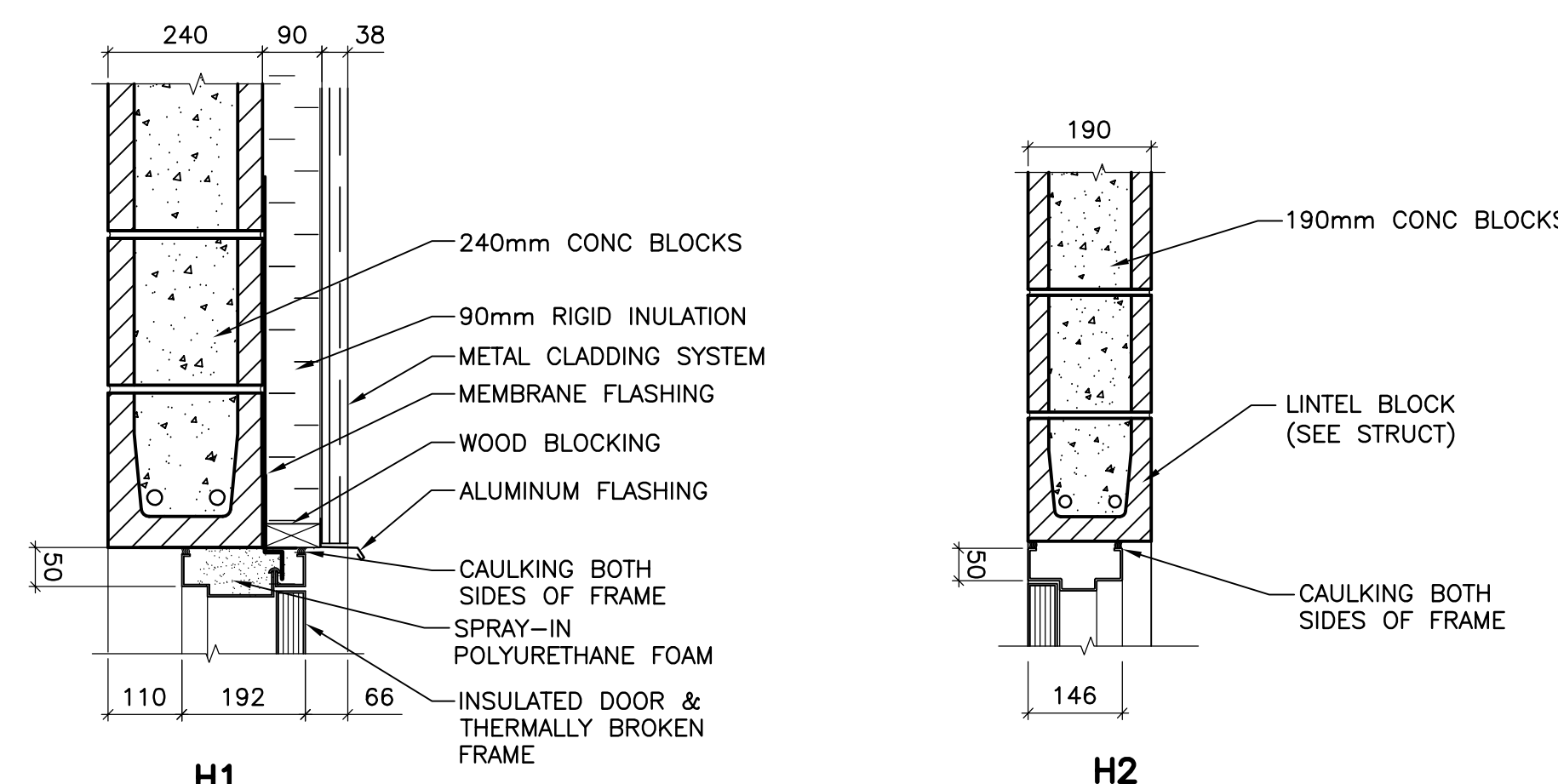
**ABBREVIATIONS:**

ALUM = ALUMINIUM  
 FR = FIRE RATING  
 GYP BD = GYPSUM BOARD  
 GWG = GEORGIAN WIRED GLASS  
 HM = HOLLOW METAL  
 MTL = METAL  
 N/A = NOT APPLICABLE  
 PNT = PAINTED  
 PREFIN = PREFINISHED  
 STL = STEEL  
 TSG = TEMPERED SAFETY GLASS



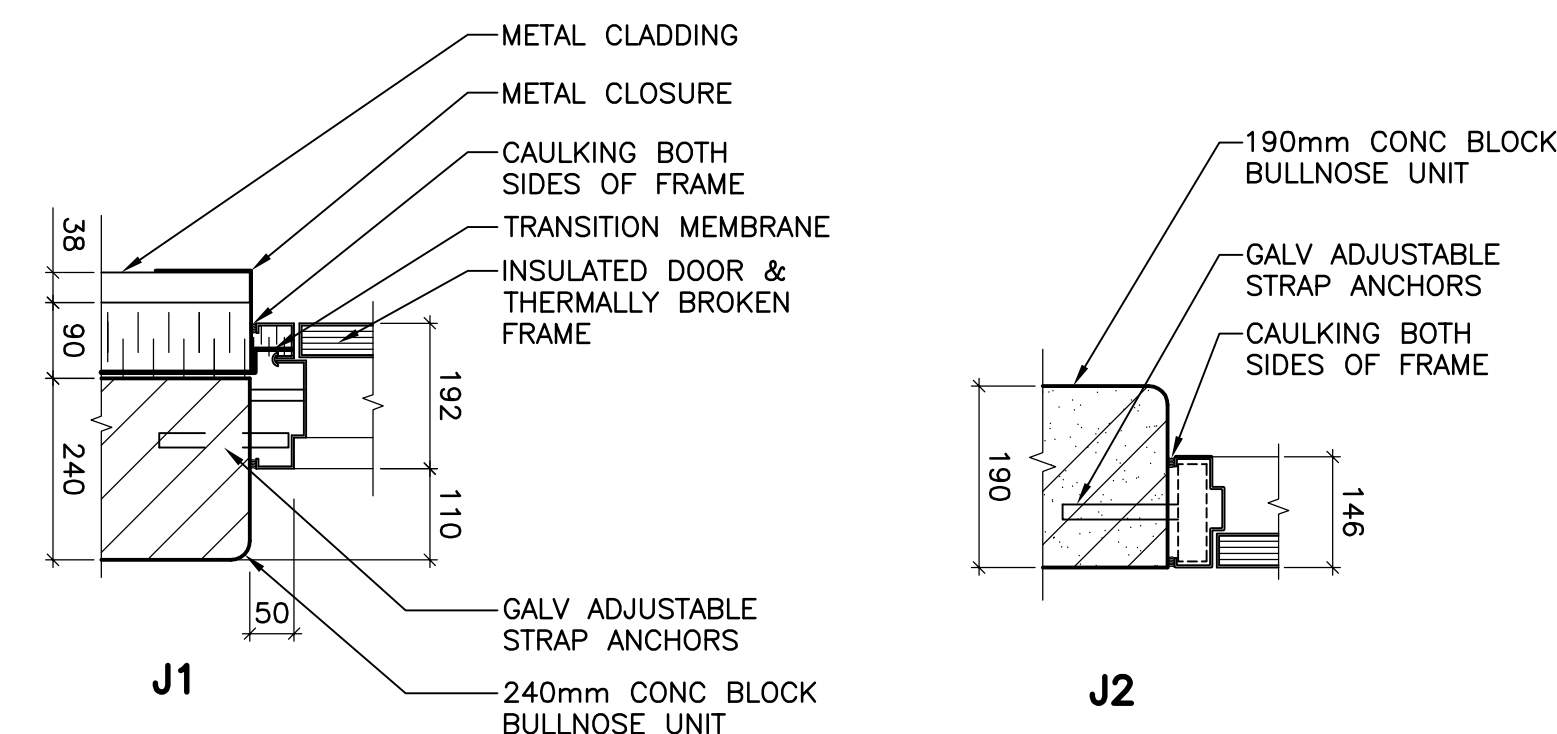
**2 DOOR/FRAME DETAILS**

WJ-80501 1:10



**1 JAMB/HEAD DETAILS**

WJ-80501 1:10



**HARDWARE SCHEDULE**

GROUP	DESCRIPTION	QUANTITY	UNIT	MANUFACTURER	
GROUP_1	D101A, D101B, D102A & D103 (DOUBLE DOORS)				
	6 BUTT HINGES	TA 314	115x100mm	NRP	
	1 LOCKSET	AU5407	x ASA	McKINNEY	
	2 FLUSH BOLTS	F65		YALE (W/CONST CYL)	
	1 WEATHERSTRIP	W29	1/6 + 2/7	STANDARD METAL	
	2 DOOR SWEEP	W245	- 900 & 600mm	KN CROWDER	
	1 THRESHOLD	CT11	- 1800	KN CROWDER	
	1 ASTRAGAL	W40P	- 2100	KN CROWDER	
	1 KICK PLATE	K10C		SSTEEL	
	26D				
GROUP_2	D102B & D103 (RATED)				
	3 BUTT HINGES	TA 314	115x100mm	NRP	
	1 DOOR SWEEP	W24S	- 900mm	KN CROWDER	
	1 THRESHOLD	CT11	- 900mm	KN CROWDER	
	1 CLOSER	4040		LCN	
	1 WALL STOP	S123		STANDARD METAL	
	1 KICK PLATE	K10C		SSTEEL	
	26D				
	GROUP_3	D101C (RATED WITH PASSAGE SET)			
		3 BUTT HINGES	TA 314	115x100mm	NRP
1 DOOR SWEEP		W24S	- 900mm	KN CROWDER	
1 THRESHOLD		CT11	- 900mm	KN CROWDER	
1 CLOSER		4040		LCN	
1 WALL STOP		S123		STANDARD METAL	
1 KICK PLATE		K10C		SSTEEL	
1 PASSAGE SET					
26D					

**BUILDING CODE ANALYSIS**

Winnipeg Water Treatment Plant  
 Hypochlorite Building  
 Winnipeg, Manitoba

**Building Code Analysis**

**1.0 General**

.1 The building is a One (1) Storey (with mezzanine), non-combustible building utilized for the storage of non-combustible chemicals (which are for use in the nearby treatment plant). The building is located north of the main water treatment plant. The building is joined to the "Bulk Chemical Building" to the east by means of a bridge which include a one-hour separation at each end.

**2.0 Description**

- ◆ Storeys: One (1) with mezzanine
- ◆ Building Area: 551.7 m2 (5,936.3 sf)
- ◆ Sprinklered: No
- ◆ Occupancy Type: Group F, Division 3
- ◆ Occupant Load: None (0) (intermittent use only)
- ◆ Streets: One (1)

**3.0 Regulation**

.1 This project may be regulated under **3.2.2.80., Group F, Division 3, One Storey**

**.2 Classification**

- .1 Requirements:
- ◆ ≤ 5,600 m2 (60,256 sf) Building Area (Conforms @ 551.7 m2)
  - ◆ One (1) Stories (Conforms)
  - ◆ Unsprinklered (Conforms)
  - ◆ Type "F-3" Occupancy (Conforms)
  - ◆ One (1) Street (Conforms)

.2 Stipulations:

- ◆ May be Combustible or Non-combustible construction
- ◆ Floor Assemblies - 45 minutes FRR. (Conforms)
- ◆ Load bearing Elements - 45 minutes FRR. (Conforms)

**4.0 General Conformance**

**.1 3.4.2.4 - Travel Distance**

.1 Maximum travel distance to an exit is 30 m (98') - Conforms (maximum travel of 20.5 m (67')).

**.2 3.4.2.1 - Number of Exits**

.1 Conforms (two (2) required - four (4) provided).

**.3 3.2.3.1 - Limiting Distance**

.1 To the east, building has a 0.0m limiting distance to a virtual property line at the east face of the adjacent Hypochlorite building. As such, the west face of the Hypochlorite building is required to be rated with a 1 HR fire resistance rating (conforms).

**.4 Fire Rating Separations**

.1 Generator Room (RN 103) is rated with a 1 HR FRR.



CH2MHILL		EarthTech	
Frederickson Cooper ARCHITECTS		A Top International Inc. Company	
DESIGNED BY	NC	CHECKED BY	AL
DRAWN BY	AL	APPROVED BY	AHL
SCALE:	AS SHOWN	RELEASED FOR CONSTRUCTION BY:	R. SOROKOWSKI
NO.	REVISIONS	DATE	2006/09/01
		DATE	2007/01/31

THE CITY OF WINNIPEG	
WATER AND WASTE DEPARTMENT	
ENGINEERING DIVISION	
WATER TREATMENT PLANT	CITY FILE NUMBER
SODIUM HYPOCHLORITE GENERATION BUILDING	SHEET OF
SODIUM HYPOCHLORITE AND CHEMICAL STORAGE BUILDING	CITY DRAWING NUMBER
ARCHITECTURAL SCHEDULES AND CODE ANALYSIS	1-0601J-A-B0501-001-010