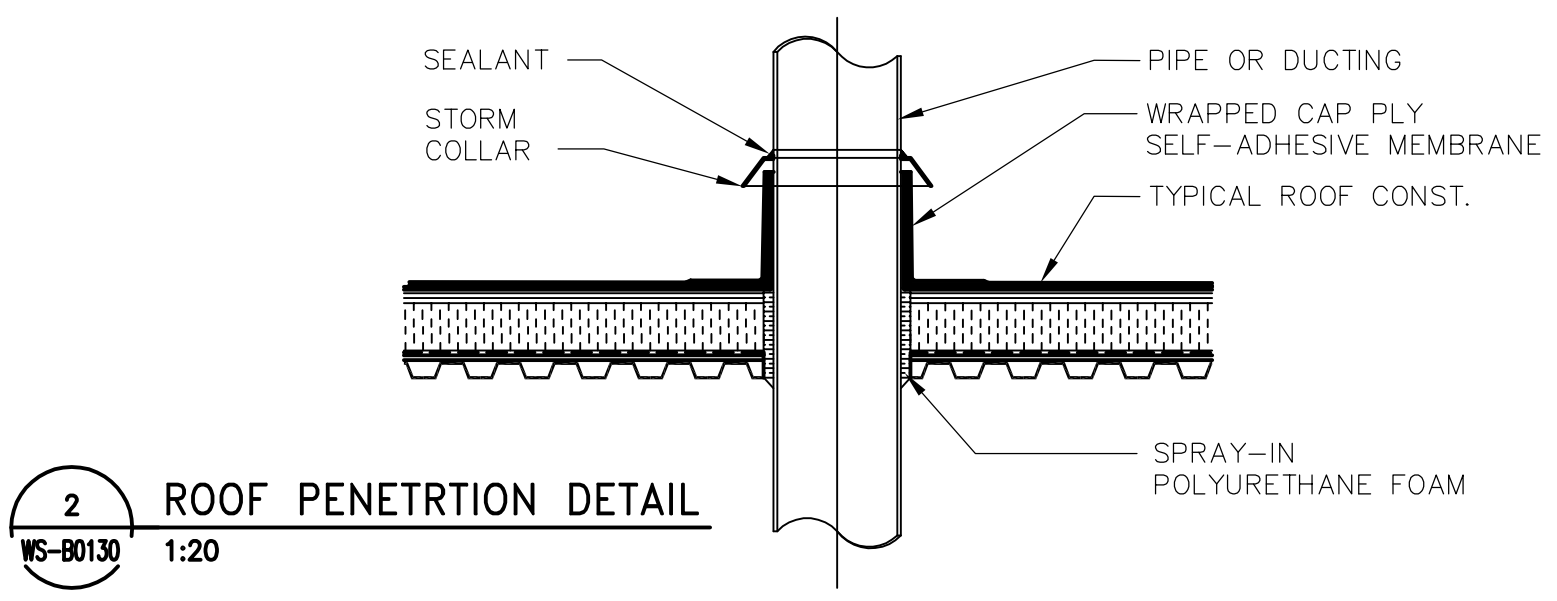
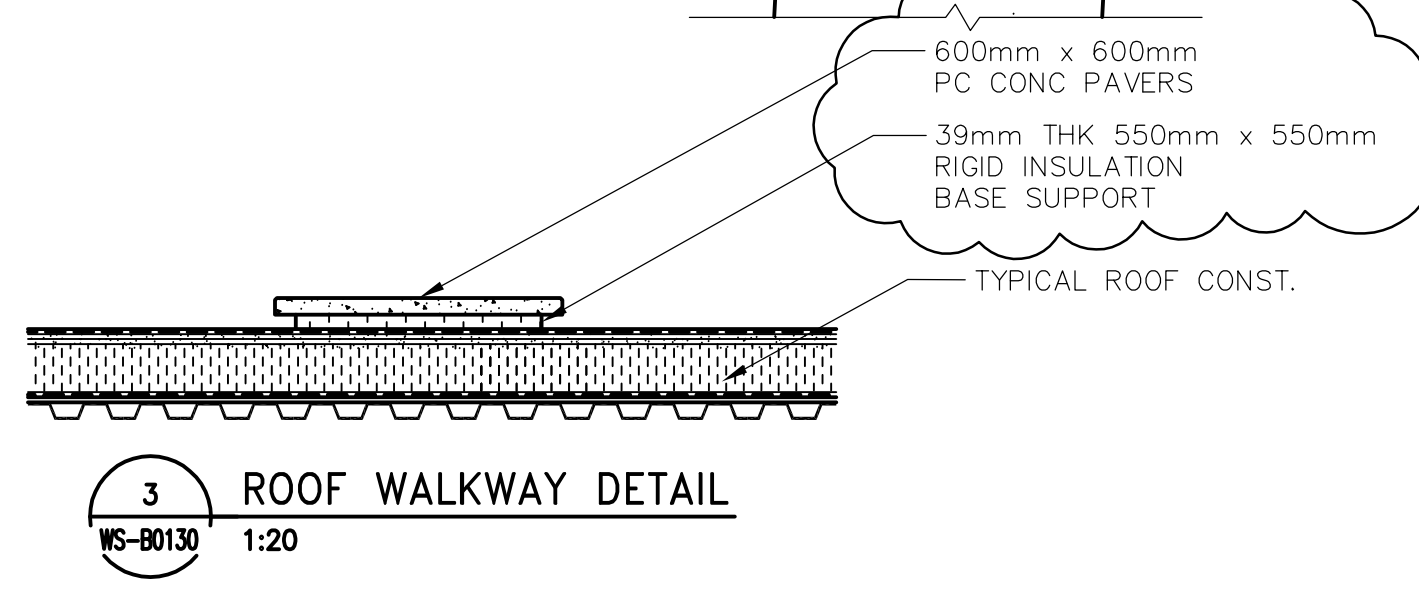


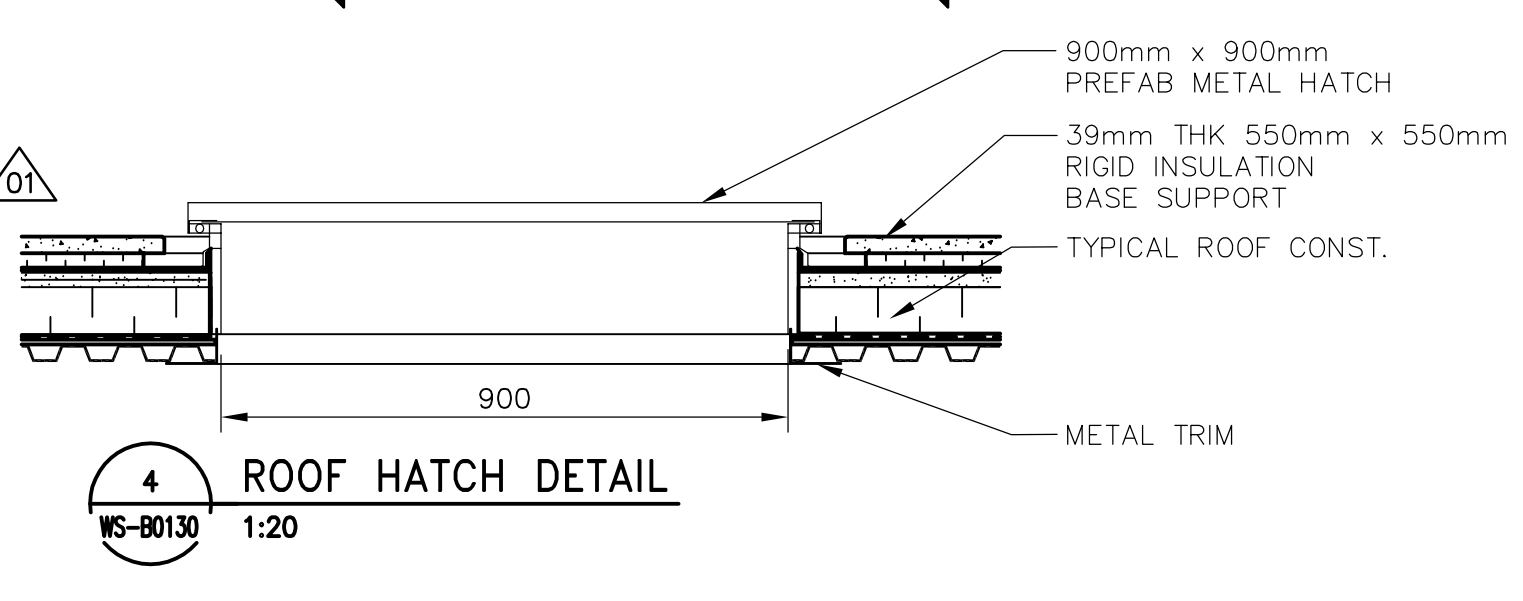
1 ROOF PLAN
WS-B0130 1:75



2 ROOF PENETRATION DETAIL
WS-B0130 1:20



3 ROOF WALKWAY DETAIL
WS-B0130 1:20



4 ROOF HATCH DETAIL
WS-B0130 1:20



NO.	REVISIONS	DATE	BY
01	792-2006 ADDENDUM 2	07/03/20	AL
00	ISSUED FOR TENDER	07/01/31	AL

DESIGNED BY	NC	CHECKED BY	LK
DRAWN BY	AL	APPROVED BY	AHL
SCALE:	AS SHOWN	RELEASED FOR CONSTRUCTION BY:	R. SOROKOWSKI
DATE	2006/09/01	DATE	2007/01/31

ENGINEER'S SEAL
ORIGINAL SIGNED BY
NEIL COOPER
2007/01/31
CONSULTANT DRAWING NO.
WS-B0130

THE CITY OF WINNIPEG
WATER AND WASTE DEPARTMENT
ENGINEERING DIVISION

WATER TREATMENT PLANT
BULK CHEMICAL BUILDING
SODIUM HYPOCHLORITE AND CHEMICAL STORAGE BUILDING

ARCHITECTURAL
ROOF PLAN

CITY FILE NUMBER
SHEET OF
CITY DRAWING NUMBER
1-0601S-A-B0130-001-01D