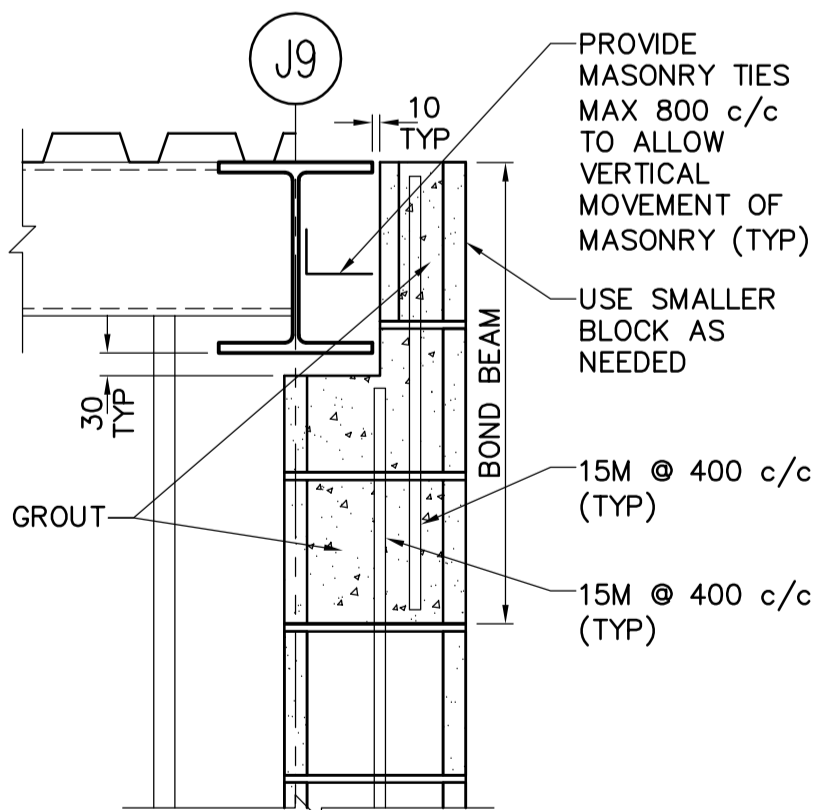


A SECTION
WJ-F0105 1:50

WJ-S0101
WJ-S0111
WJ-S0121
(REVISED FOR IFT FEB. 22/07 DK)

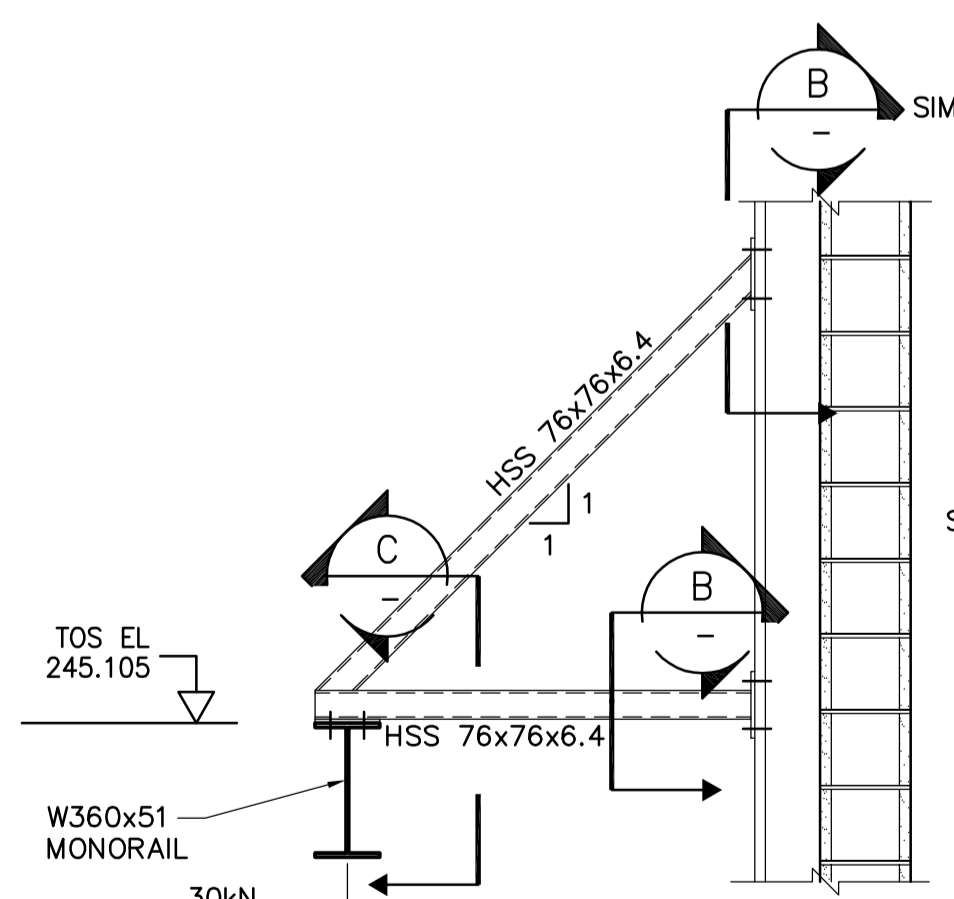


D SECTION
1:10

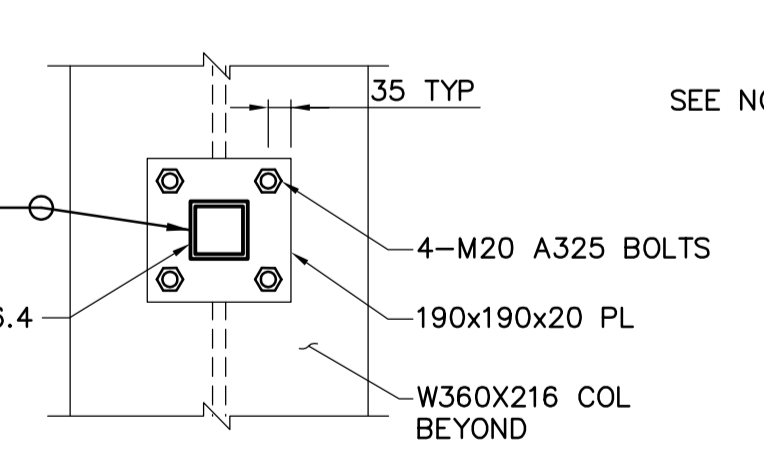
DETAIL IS TYP TO ALL LOCATIONS

NOTE:

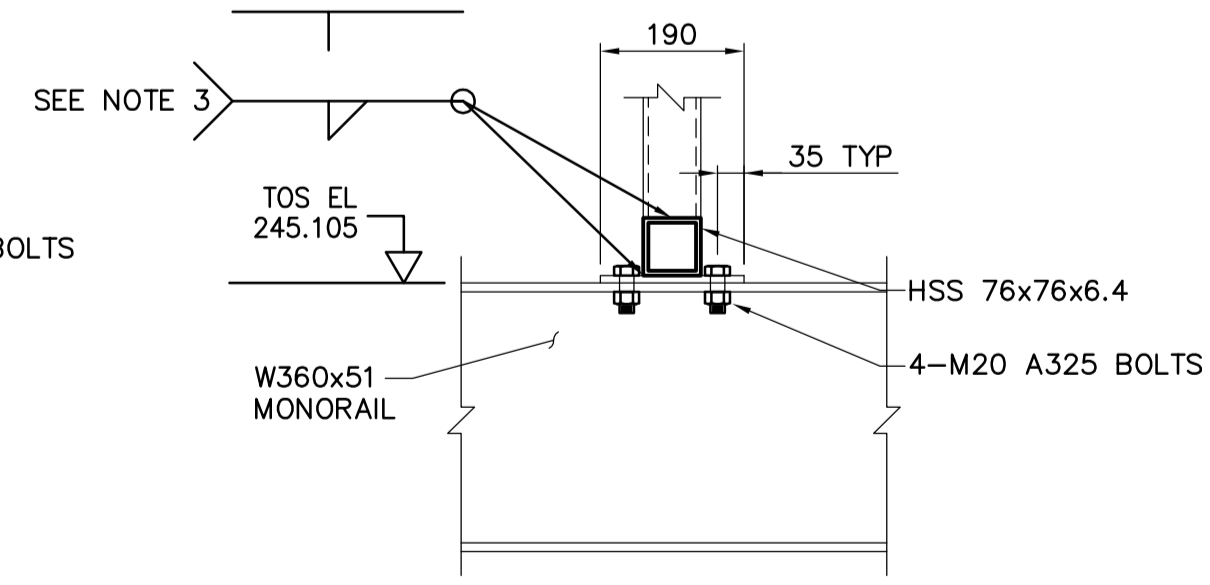
1. SEE PLANS WJ-S0101 AND WJ-S0111 FOR REBAR SIZE AND SPACING.
2. FOR GENERAL NOTES SEE DWG WS-S0001. IN CASE OF CONFLICTING INFORMATION, WJ-SERIES DRAWINGS GOVERN.
3. FOR HSS CONNECTIONS SEE CISC HANDBOOK, 2004 ED., TABLE 3-46.
4. COORDINATE OPENING LOCATION AND WIDTH WITH MECHANICAL SUBCONTRACTOR (TYP).
5. FOR PARAPET DETAILS REFER TO ARCHITECTURAL DRAWINGS.



1 DETAIL
1:20



B SECTION
1:10



C SECTION
1:10

APEGM
Certificate of Authorization
CH2M HILL Canada Ltd.
No. 1441 Expiry: April 30, 2007

NO.	REVISIONS	DATE	BY	DATE	BY
01	792-2006 ADDENDUM 3	07/03/30	MH		
00	ISSUED FOR TENDER	07/01/31	MH		

CH2MHILL Frederickson Cooper ARCHITECTS		EarthTech A Tyco International Ltd. Company	
DESIGNED BY	MH	CHECKED BY	AP
DRAWN BY	CR	APPROVED BY	AHL
SCALE:	AS NOTED	RELEASED FOR CONSTRUCTION BY:	R. SOROKOWSKI
DATE	2006/08/14	DATE	2007/01/31

ENGINEER'S SEAL	
ORIGINAL SIGNED BY	D. KRUGER
	2007/01/31
CONSULTANT DRAWING NO.	WJ-S0201

THE CITY OF WINNIPEG
WATER AND WASTE DEPARTMENT
ENGINEERING DIVISION

WATER TREATMENT PLANT
SODIUM HYPOCHLORITE BUILDING
SODIUM HYPOCHLORITE AND CHEMICAL STORAGE BUILDINGS

STRUCTURAL
SODIUM HYPOCHLORITE BUILDING
SECTIONS AND DETAILS

CITY FILE NUMBER
SHEET OF
CITY DRAWING NUMBER
1-0601J-A-S0201-001-01D