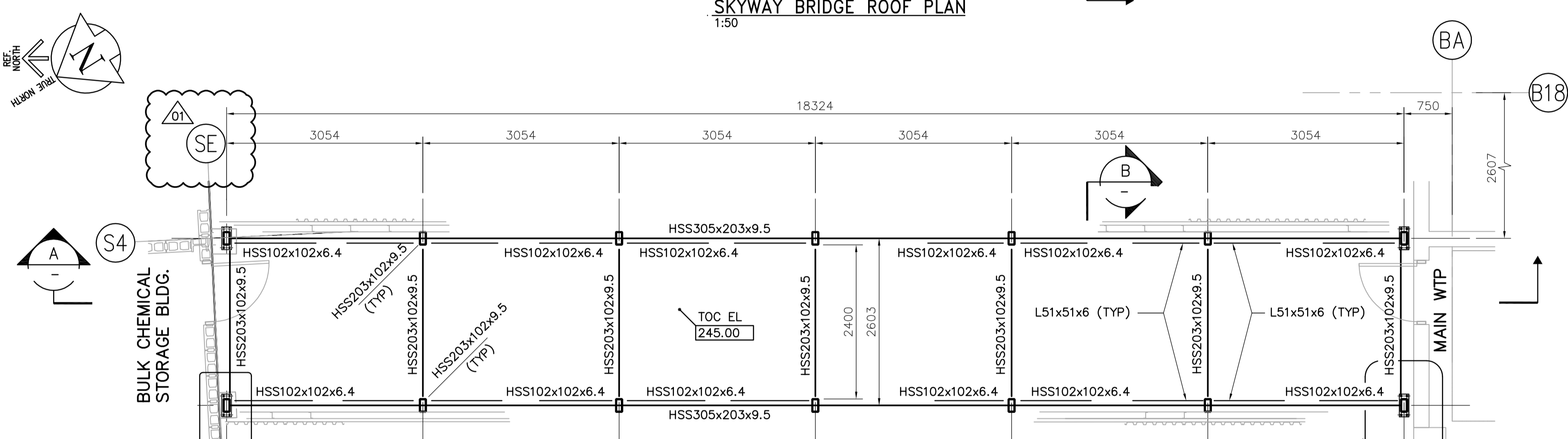
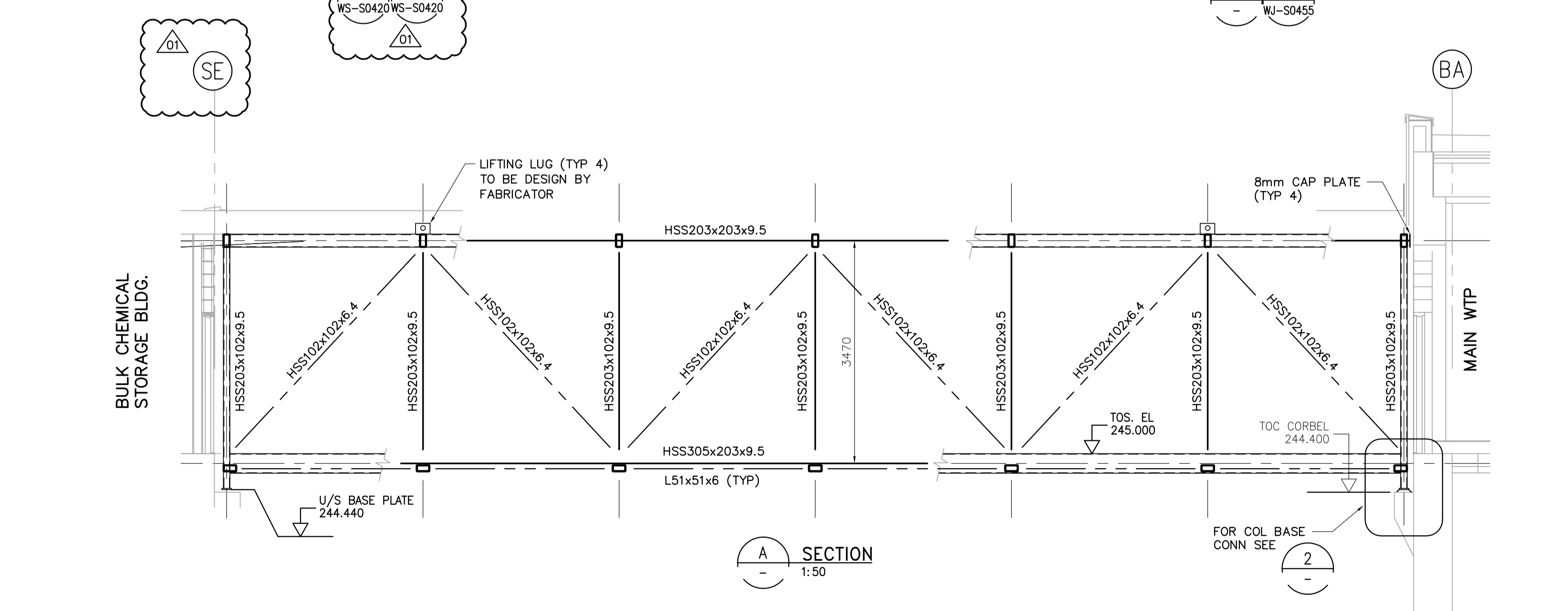


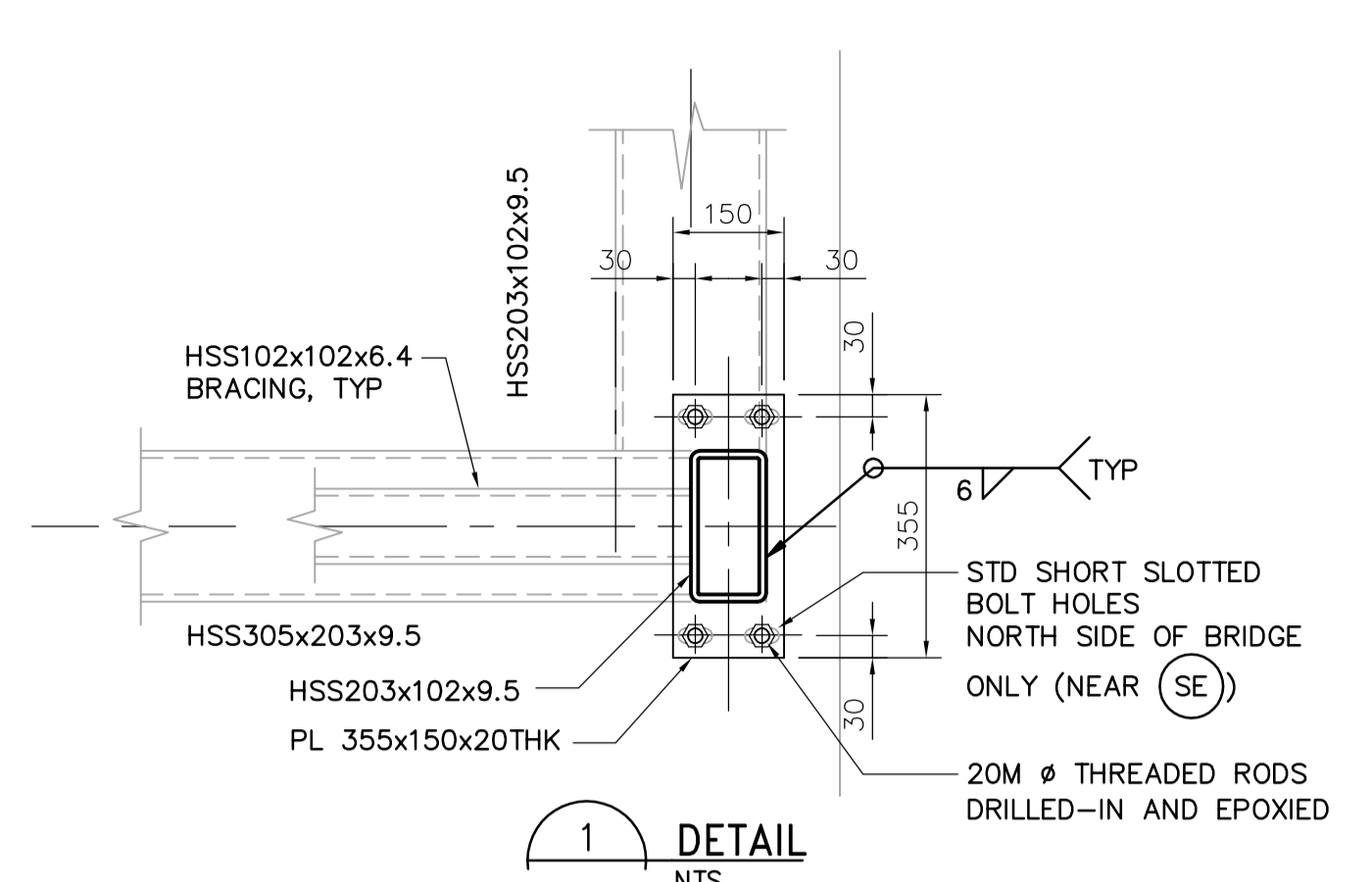
SKYWAY BRIDGE ROOF PLAN  
1:50



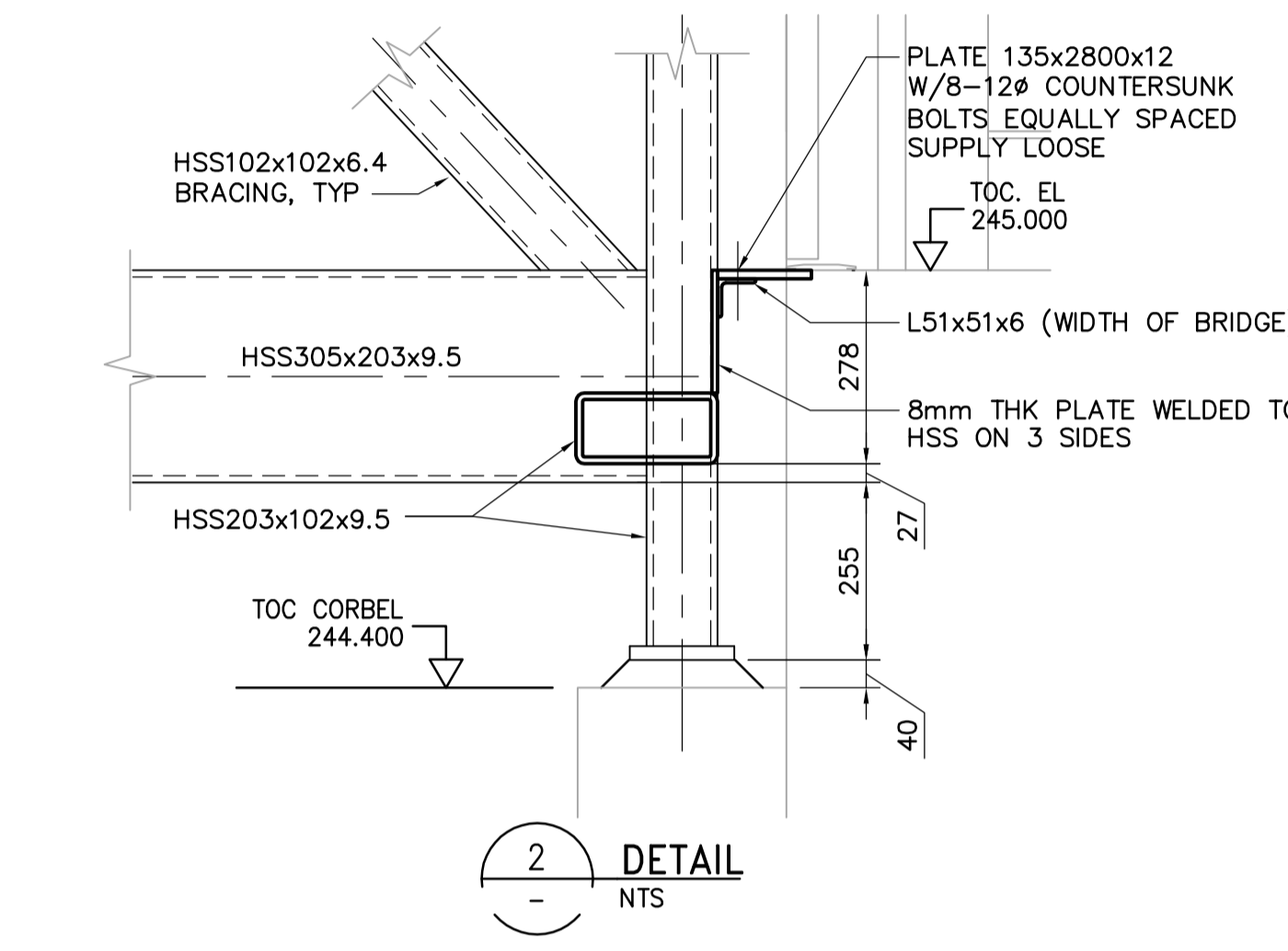
SKYWAY BRIDGE FLOOR PLAN  
1:50



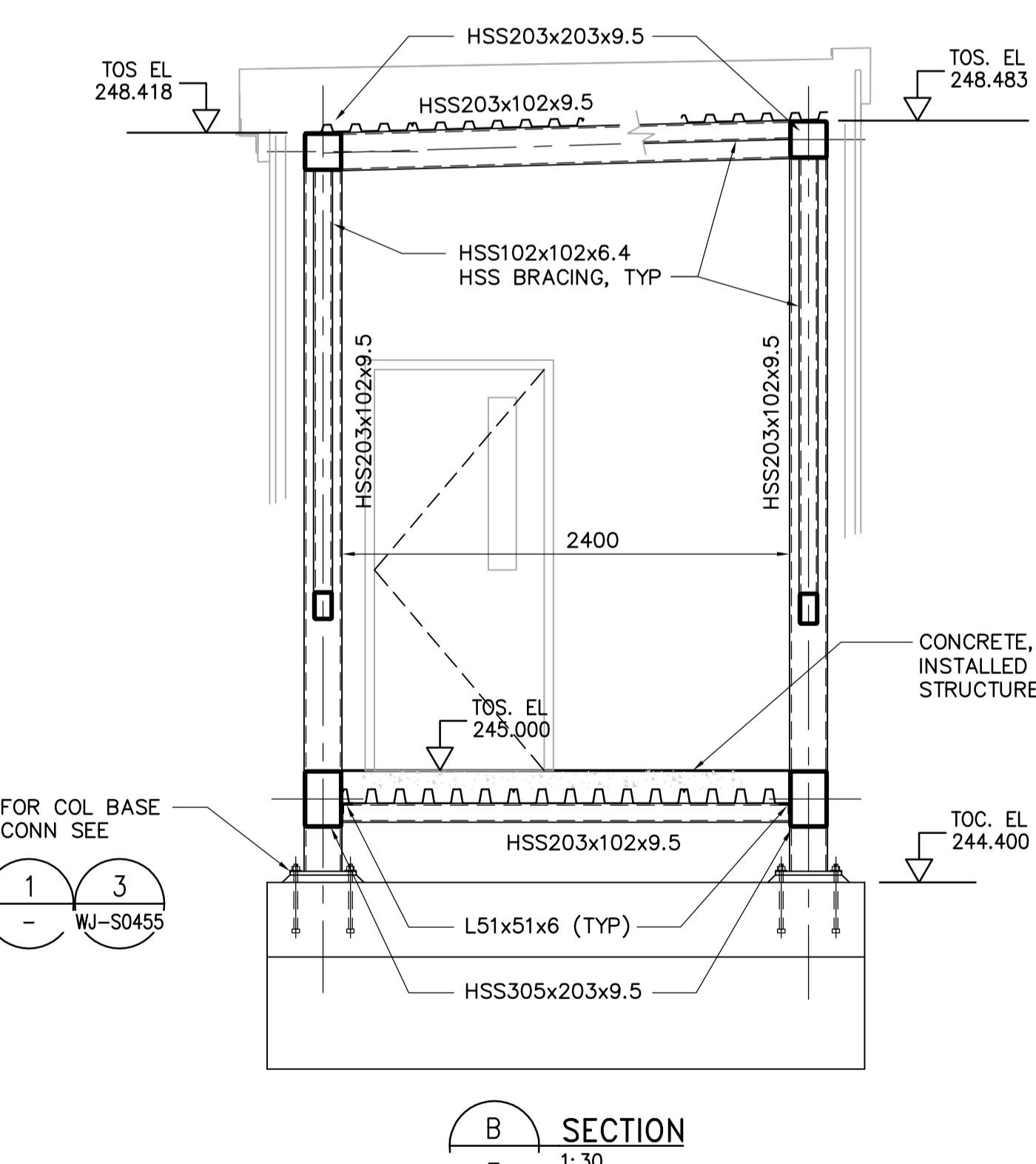
SECTION A  
1:50



DETAIL 1  
NTS



DETAIL 2  
NTS



SECTION B  
1:30

- NOTES:**
- ROOF DECKING:
    - 38x0.91 THK STL ROOF DECK
    - 2 SPAN CONT
    - SUPPORT FASTENERS: 915/3
    - SIDE LAP FASTENERS: 2-#10 TEK SCREWS PER SPAN
  - FLOOR DECKING:
    - 76x0.91 GALVANIZED COMPOSITE METAL DECKING w/ 176mm CONCRETE TOPPING SLAB w/ 15M @ 300 EW CTRD.
    - WELD (20mm) EDGE RIBS OF PANELS AT EACH SUPPORT. SPACE ADDITIONAL WELDS AND AVERAGE OF 300mm APART BUT NOT MORE THAN 460mm.
    - FASTEN SIDE LAPS AND PERIMETER EDGE OF UNITS BETWEEN SUPPORTS AT INTERVALS NOT EXCEEDING 300mm ON CENTER, USING #10 SELF DRILLING SCREW.
    - FASTEN SIDE SEAMS WITH #12 TEK SELF TAPPING SCREWS AT 300mm SPACING.
  - FOR GENERAL NOTES SEE DWG WS-S0001. IN CASE OF CONFLICTING INFORMATION, WJ-SERIES DRAWINGS GOVERN.
  - FABRICATE AND INSTALL FULLY WELDED STEEL STRUCTURE. WELD JOINTS ALL AROUND. SEE CISC HANDBOOK, 2004 ED. TABLE 3-46.

<p>Certificate of Authorization CH2M HILL Canada Ltd. No. 1441 Expiry: April 30, 2007</p>	<p>Frederickson Cooper ARCHITECTS</p>		<p>A Tyco International Ltd. Company</p>		<p>ENGINEER'S SEAL</p> <p>ORIGINAL SIGNED BY D. KRUGER 2007/03/12</p>		<p>THE CITY OF WINNIPEG WATER AND WASTE DEPARTMENT ENGINEERING DIVISION</p>	
	DESIGNED BY	DK	CHECKED BY	AP	CITY FILE NUMBER		SHEET OF	
	DRAWN BY	PM	APPROVED BY	AHL	WATER TREATMENT PLANT SODIUM HYPOCHLORITE BUILDING		CITY DRAWING NUMBER	
	SCALE:	AS NOTED	RELEASED FOR CONSTRUCTION BY:	R. SOROKOWSKI	CONSULTANT DRAWING NO. WJ-S0402		1-0601J-A-S0402-001-010	
NO. REVISIONS	DATE	DATE	DATE	DATE	STRUCTURAL SKYWAY BRIDGE DETAILS			