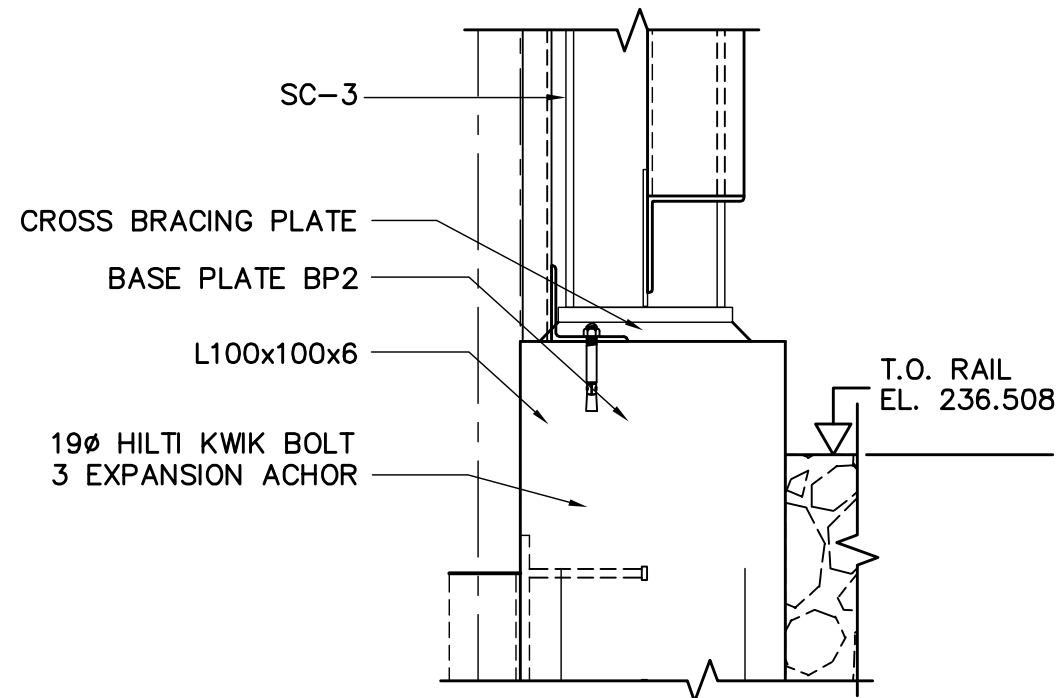
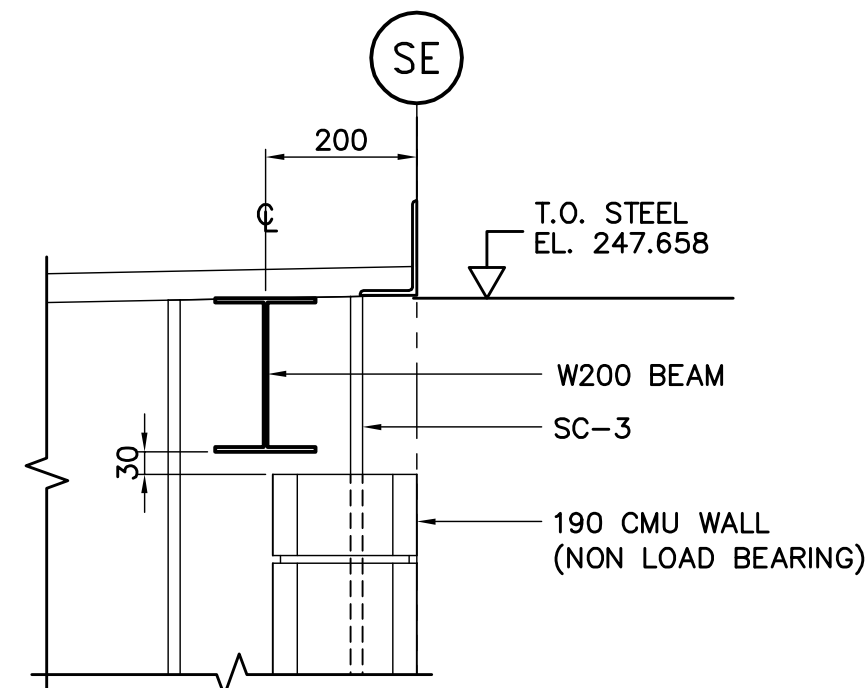


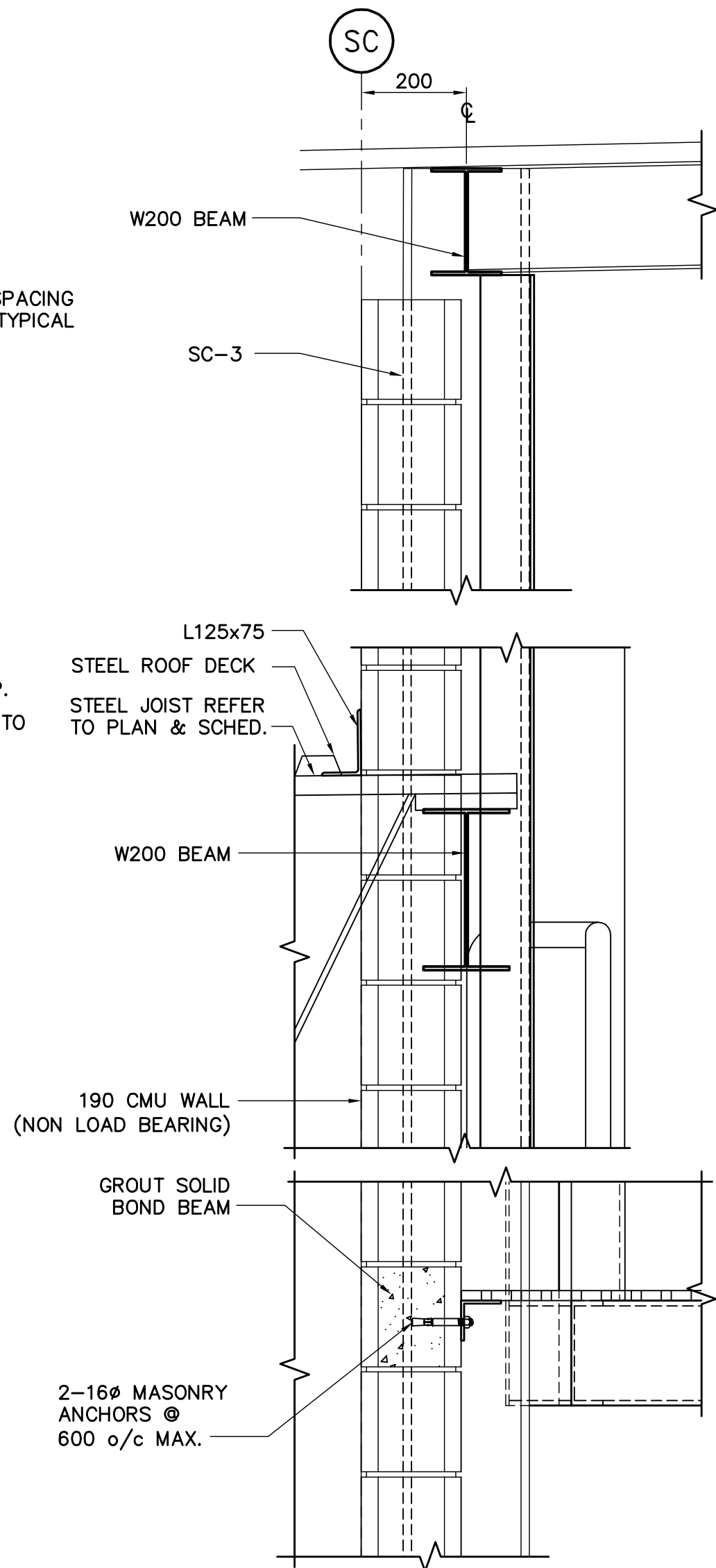
**A SECTION DETAIL**  
WS-S0407 1:10



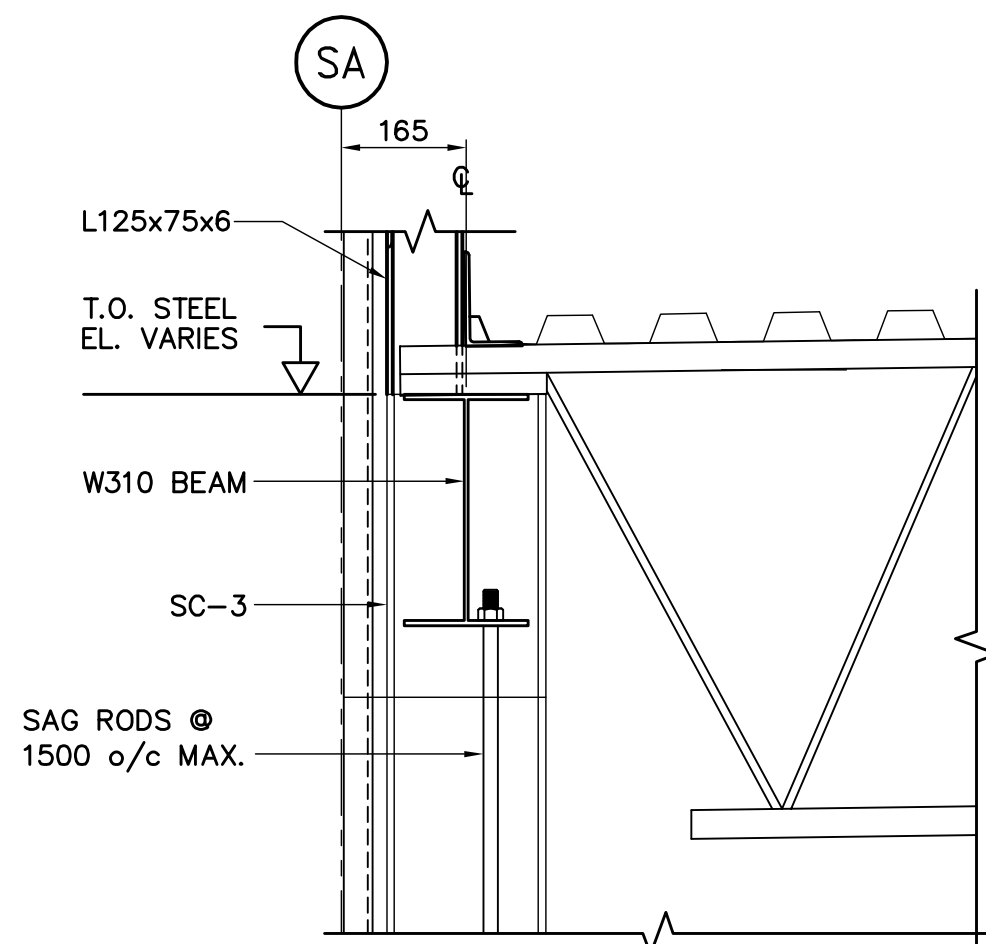
**B SECTION DETAIL**  
WS-S0407 1:10



**D SECTION DETAIL**  
WS-S0407 1:10

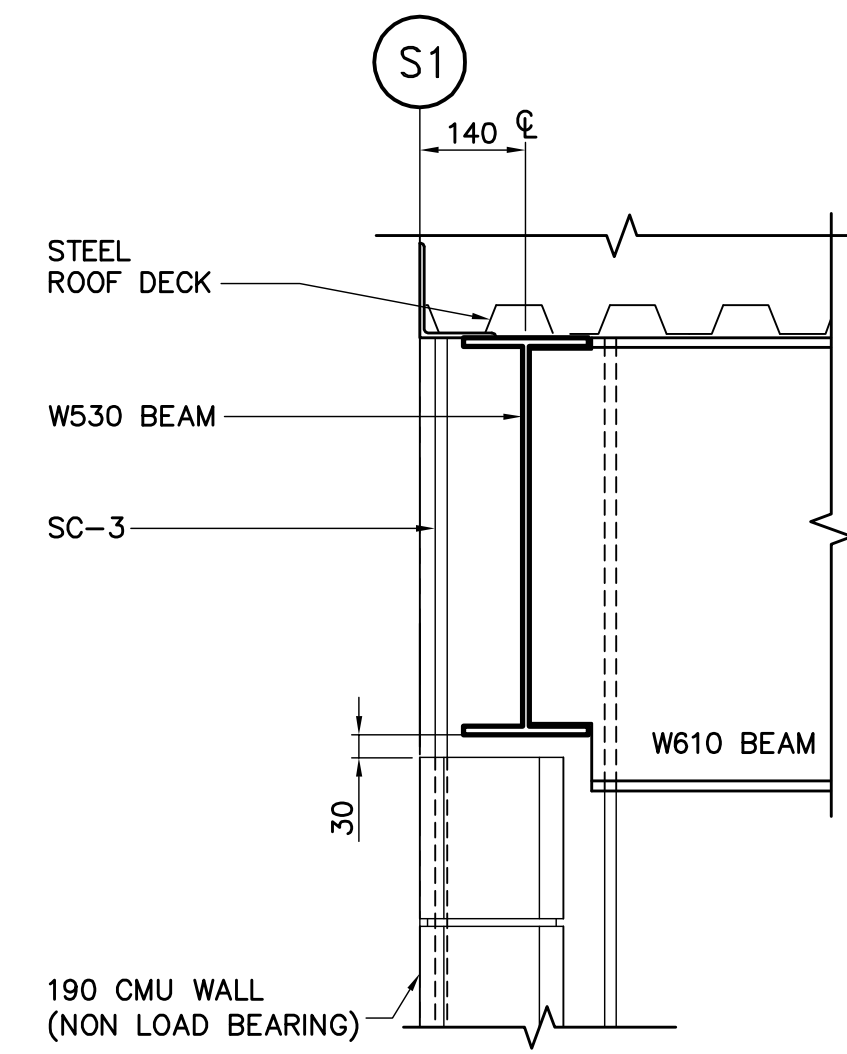


**C SECTION DETAIL**  
WS-S0407 1:10

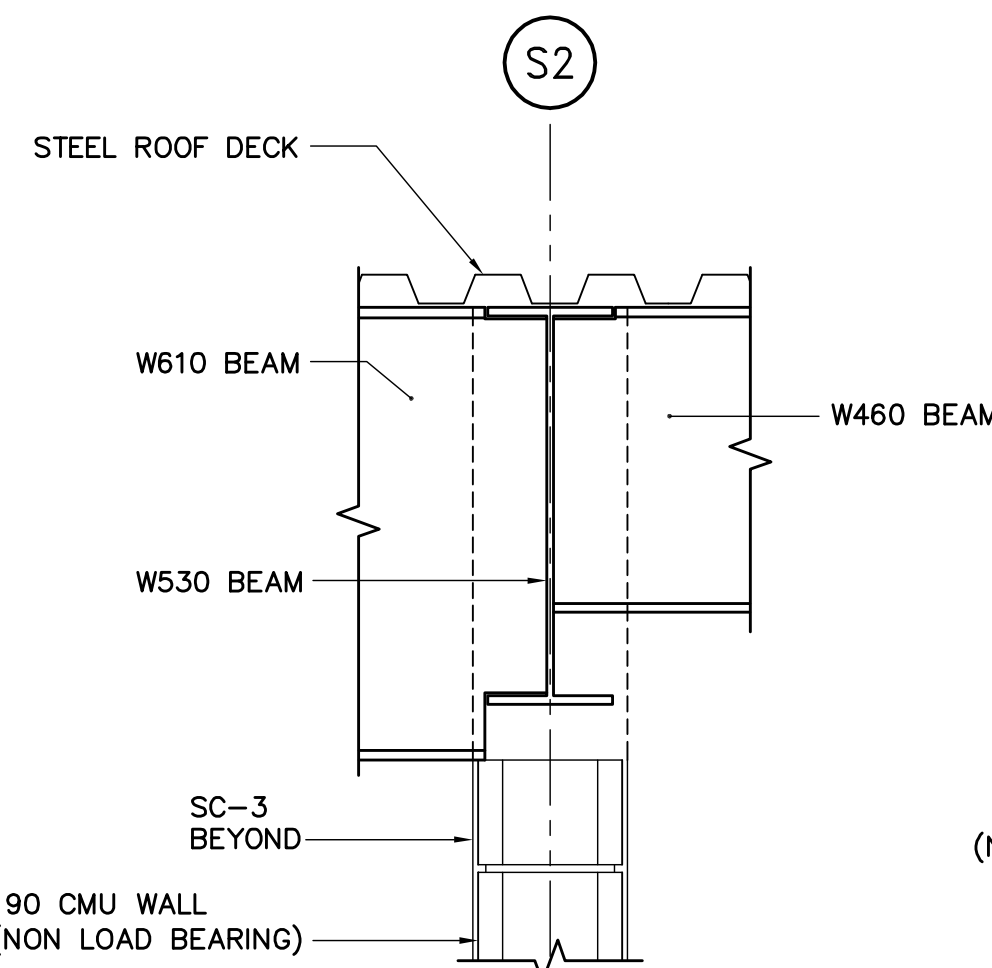


**F SECTION DETAIL**  
WS-S0408 1:10

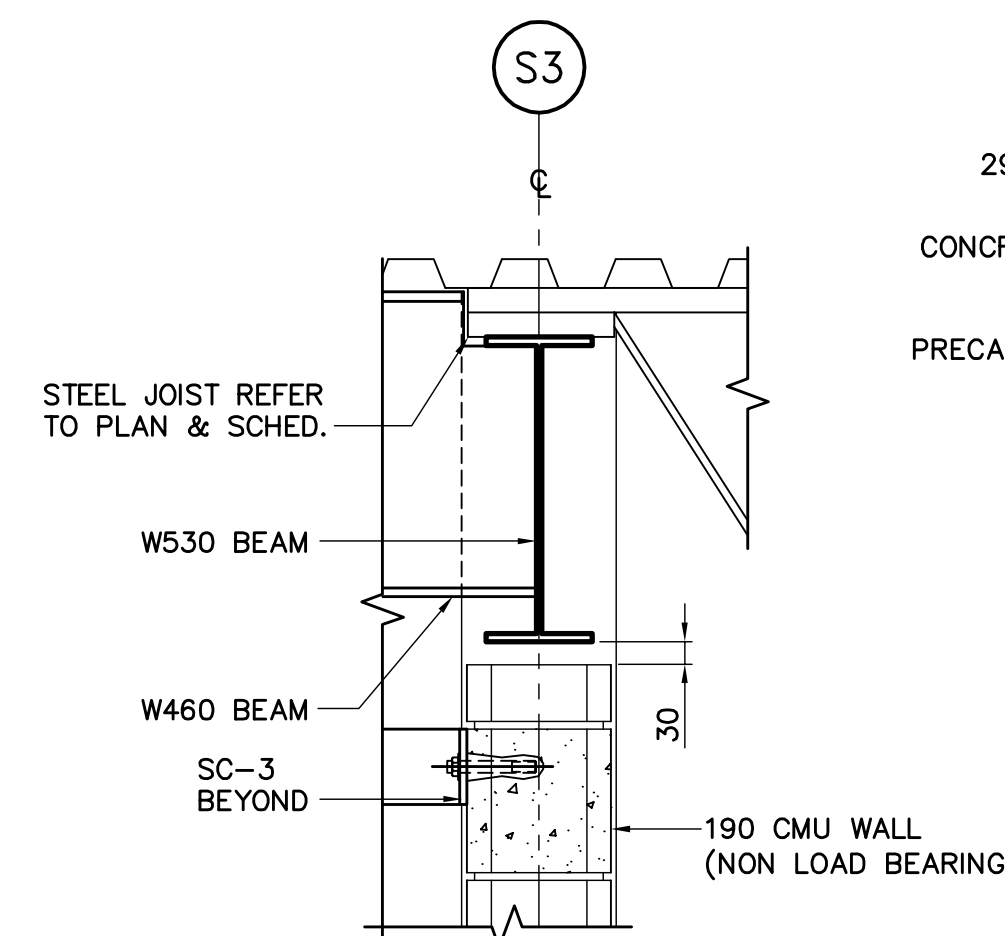
DETAIL 'E' DELETED



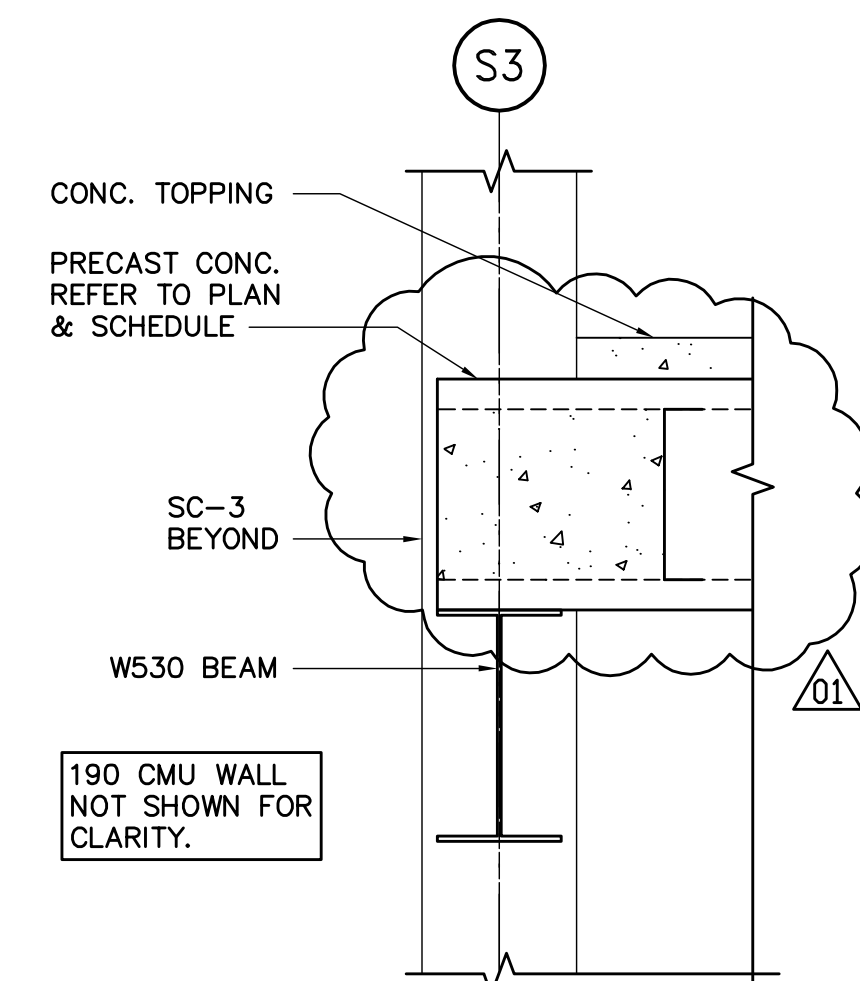
**H SECTION DETAIL**  
WS-S0408 1:10



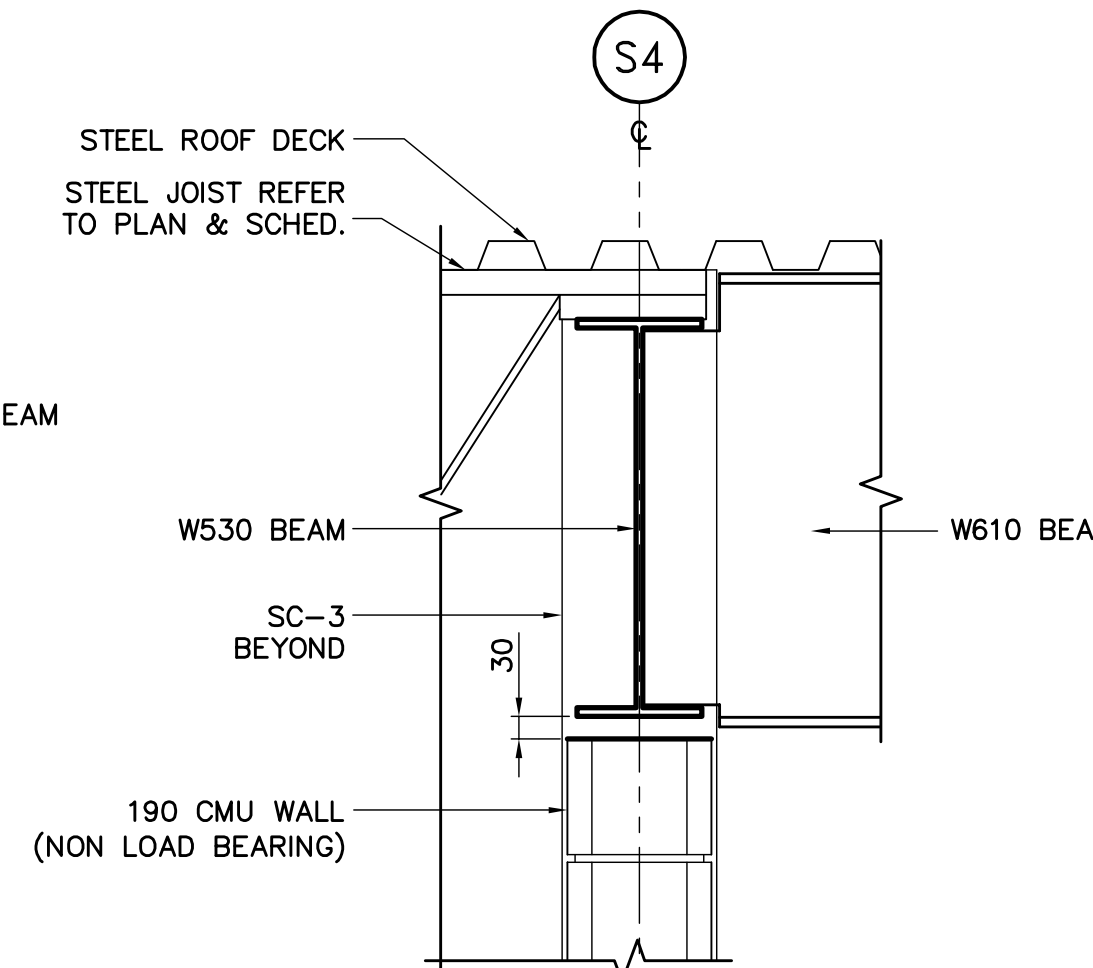
**J SECTION DETAIL**  
WS-S0409 1:10



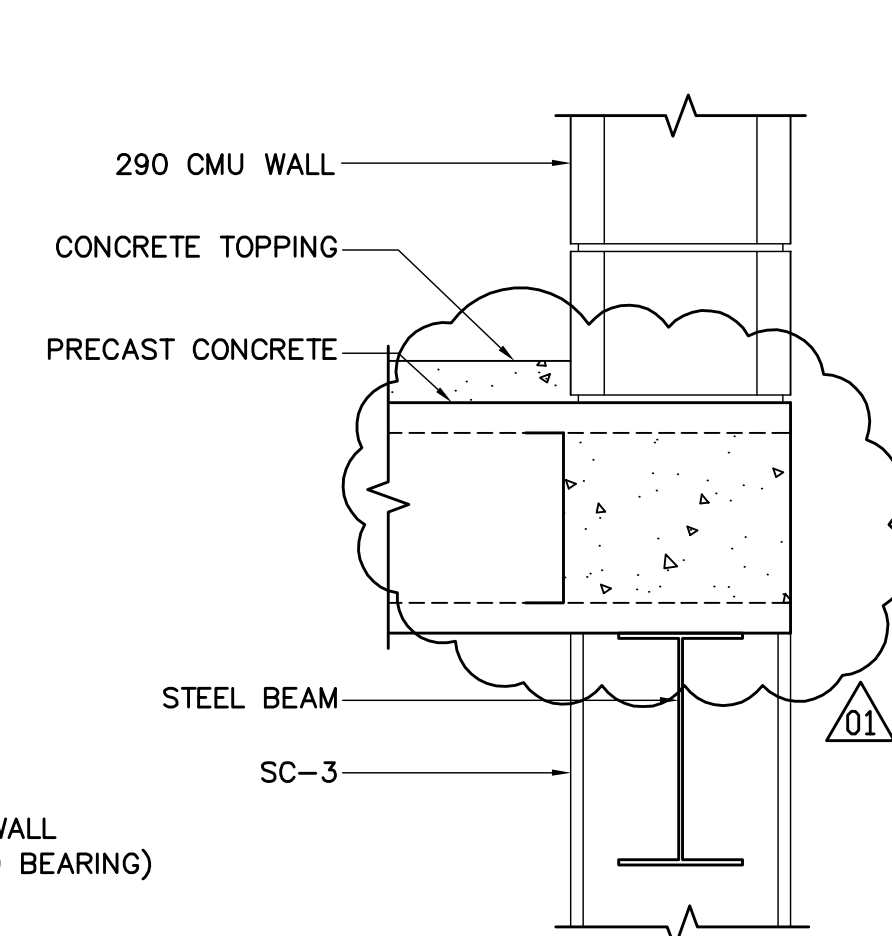
**K SECTION DETAIL**  
WS-S0409 1:10



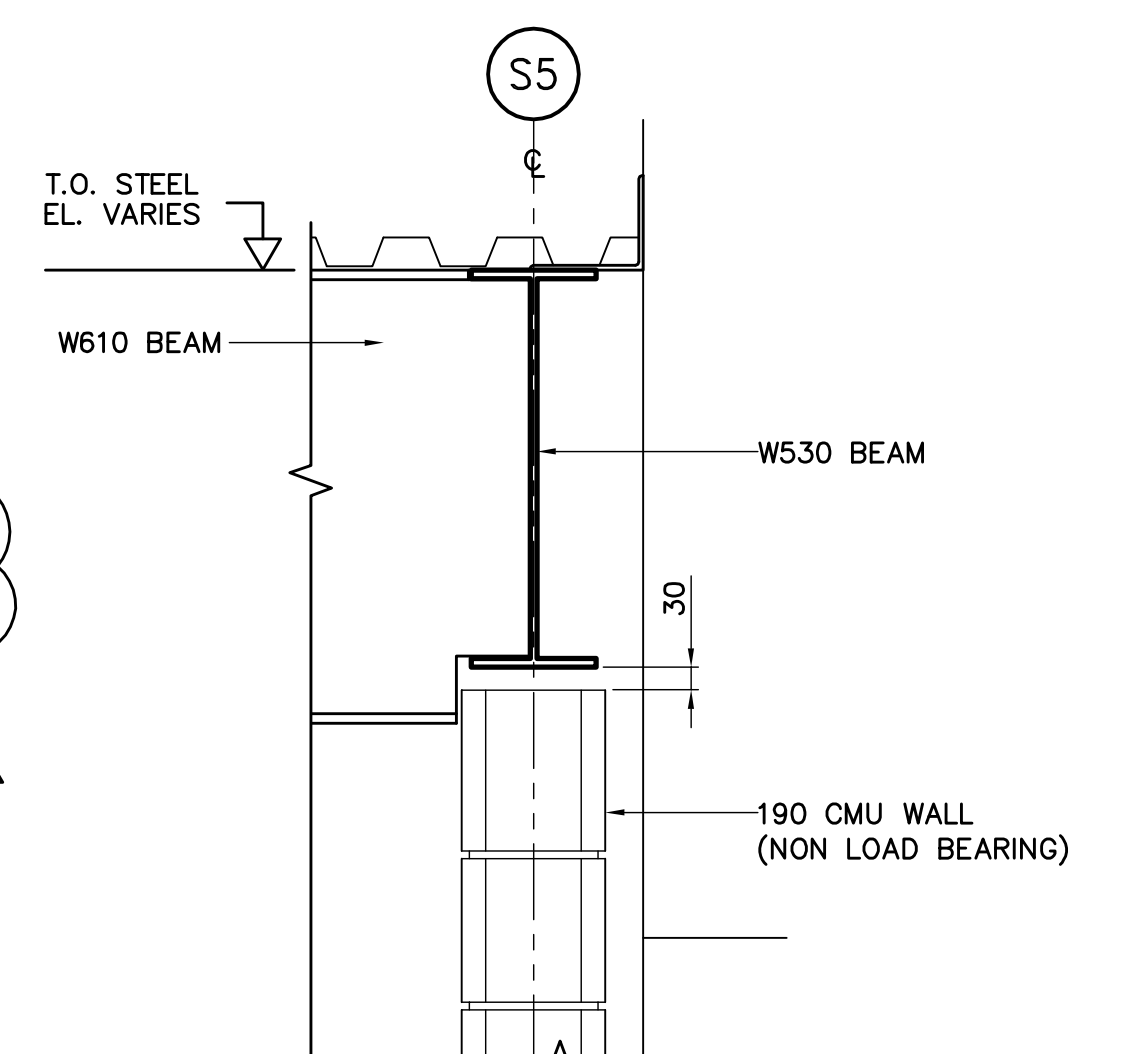
**L SECTION DETAIL**  
WS-S0409 1:10



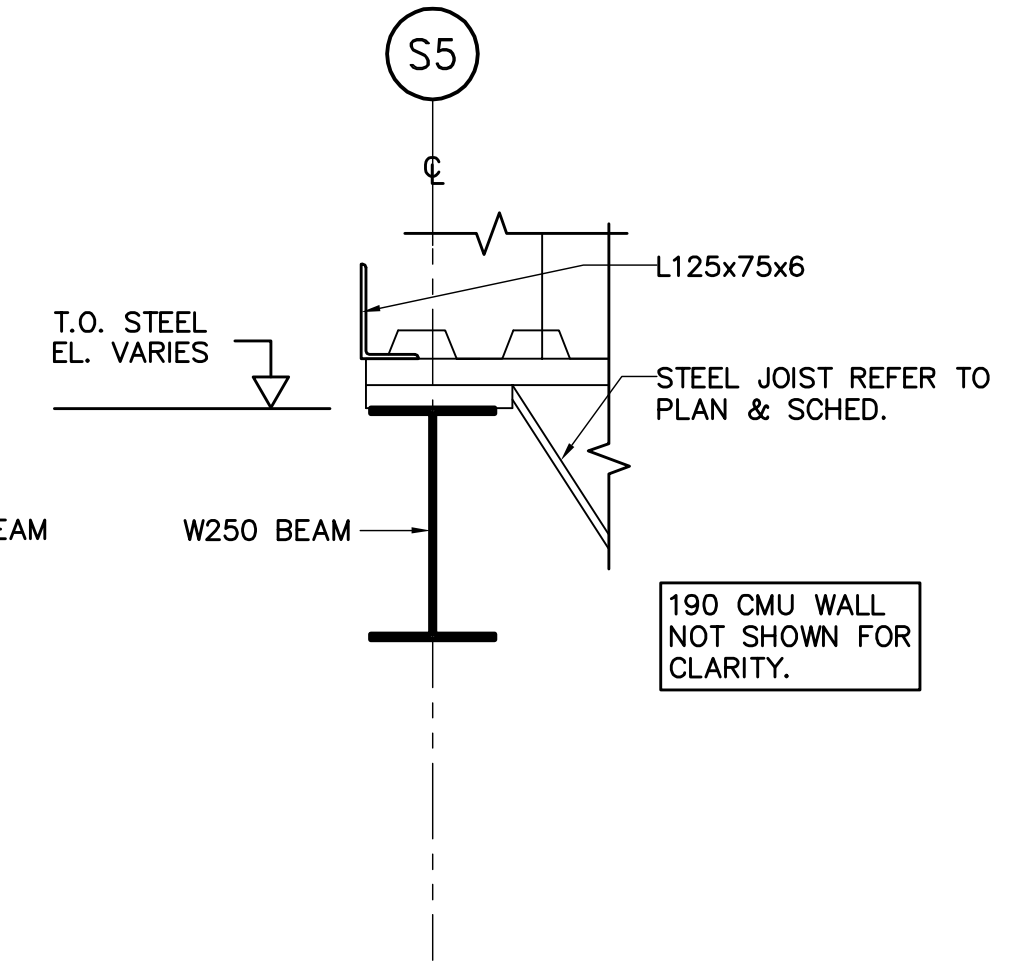
**M SECTION DETAIL**  
WS-S0409 1:10



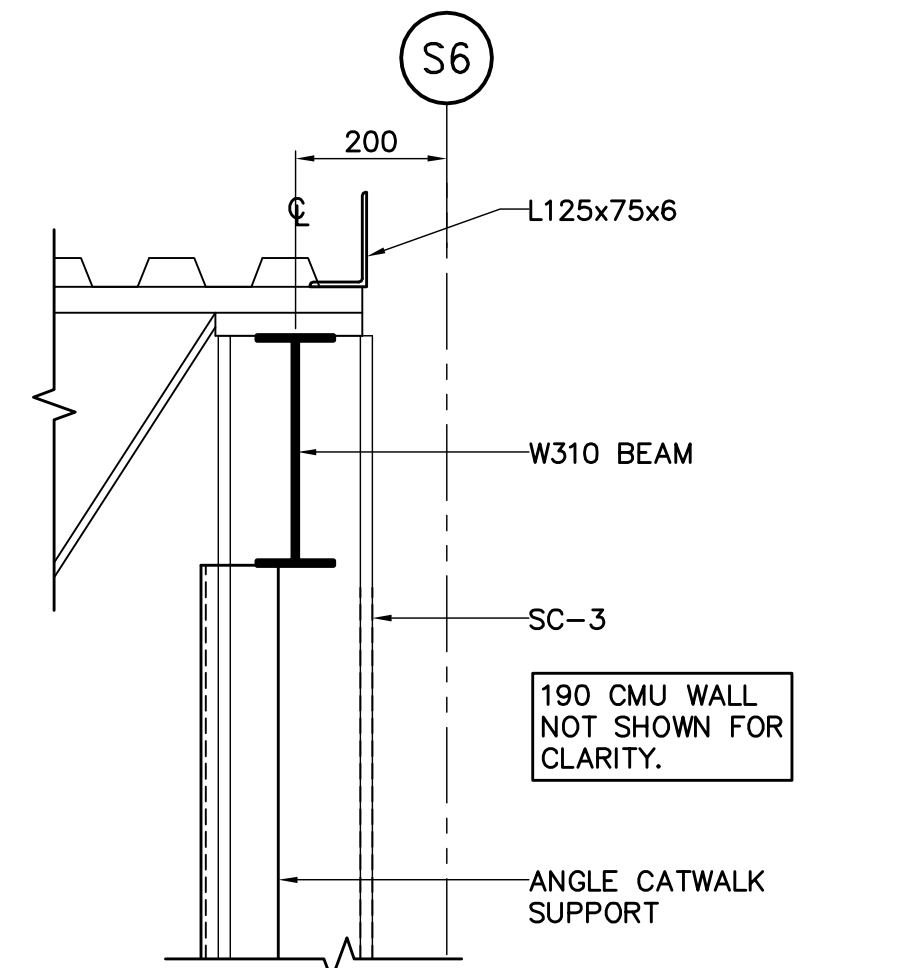
**N SECTION DETAIL**  
WS-S0409 1:10



**P SECTION DETAIL**  
WS-S0409 1:10



**R SECTION DETAIL**  
WS-S0409 1:10



**S SECTION DETAIL**  
WS-S0409 1:10



B.M. ELEV.	DATE	BY	DATE	DATE
	07/03/30	WDB	07/03/22	2006/10/04
	07/03/22	WDB	07/01/31	2007/01/31
	07/01/31	WDB		

 Frederickson Cooper ARCHITECTS		 A Tyco International Ltd. Company	
DESIGNED BY	ARA	CHECKED BY	
DRAWN BY	WDB	APPROVED BY	AHL
SCALE:	AS NOTED	RELEASED FOR CONSTRUCTION BY:	R. SOROKOWSKI
		DATE	2007/01/31

ENGINEER'S SEAL
ORIGINAL SIGNED BY
A. POCHANART
2007/01/31
CONSULTANT DRAWING NO.
WS-S0410

 THE CITY OF WINNIPEG WATER AND WASTE DEPARTMENT ENGINEERING DIVISION		CITY FILE NUMBER
WATER TREATMENT PLANT BULK CHEMICAL BUILDING SODIUM HYPOCHLORITE AND CHEMICAL STORAGE BUILDING		SHEET OF
STRUCTURAL BUILDING SECTIONS AND DETAILS		CITY DRAWING NUMBER
		1-0601S-A-80410-001-02D