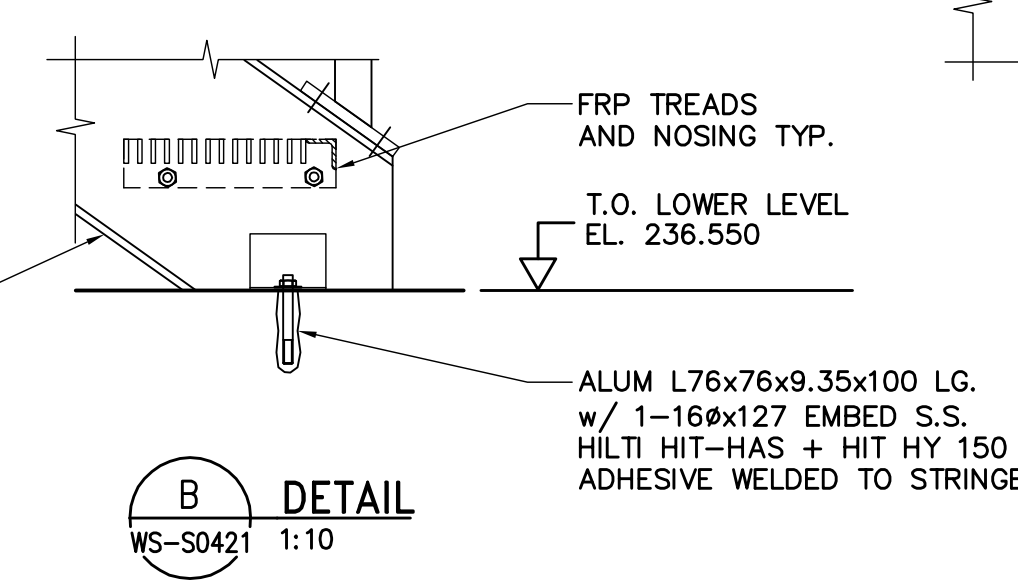
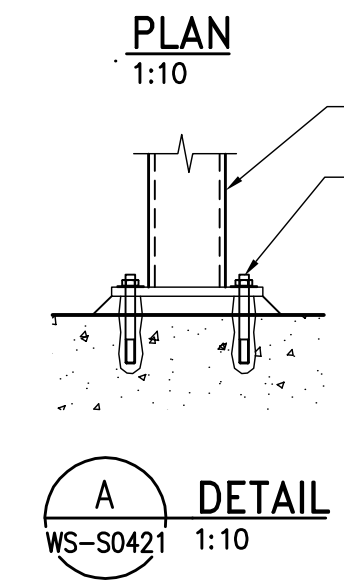
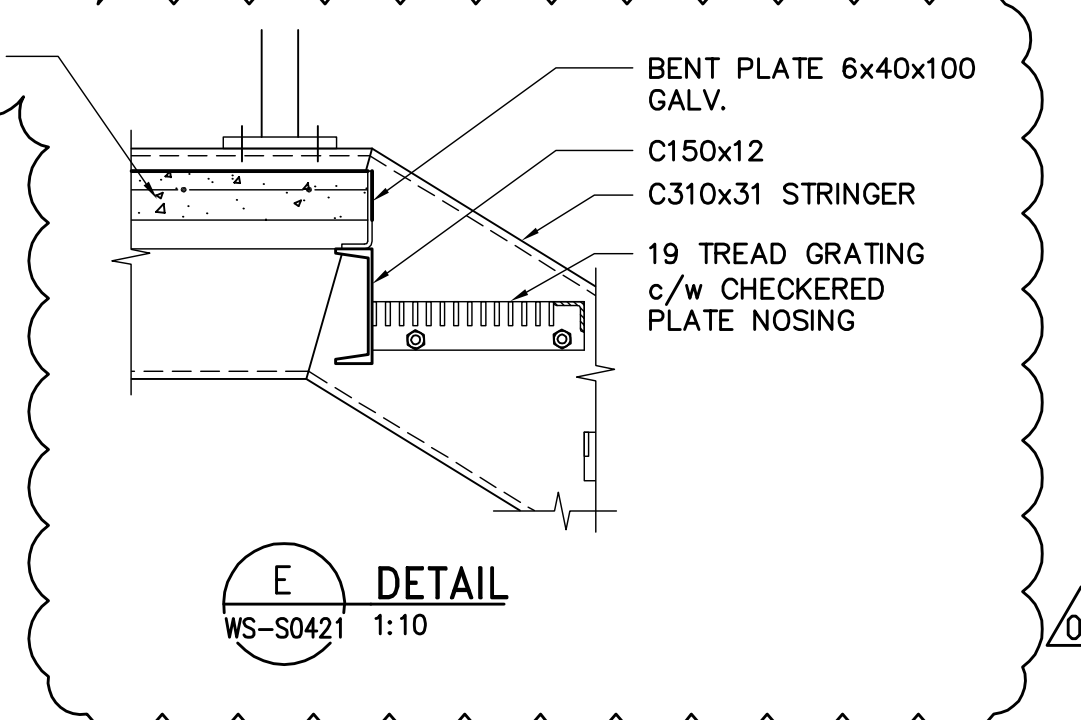
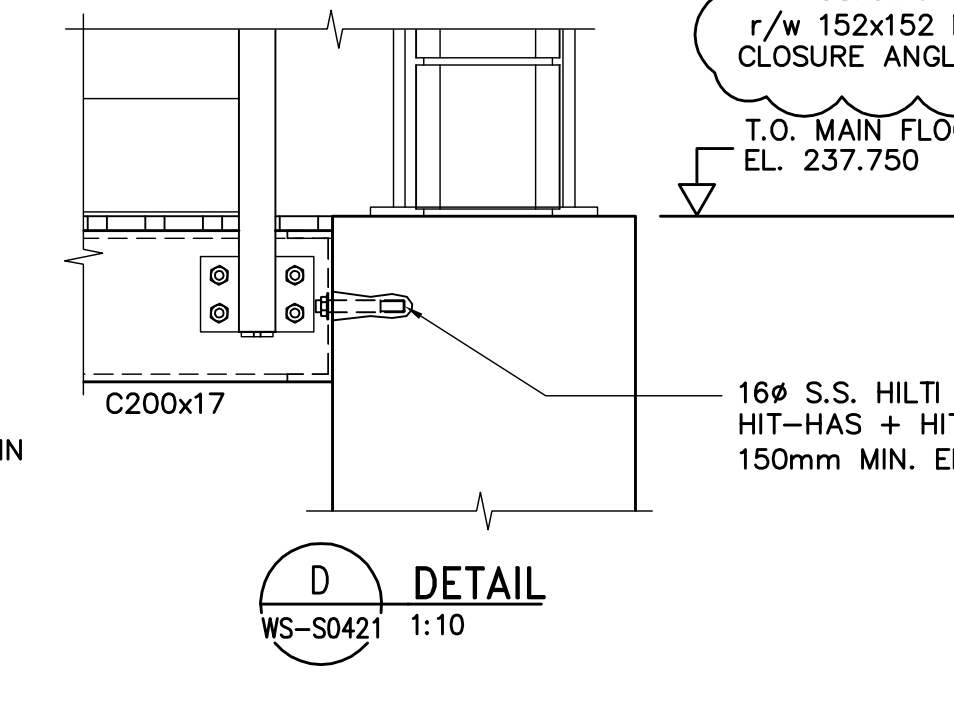
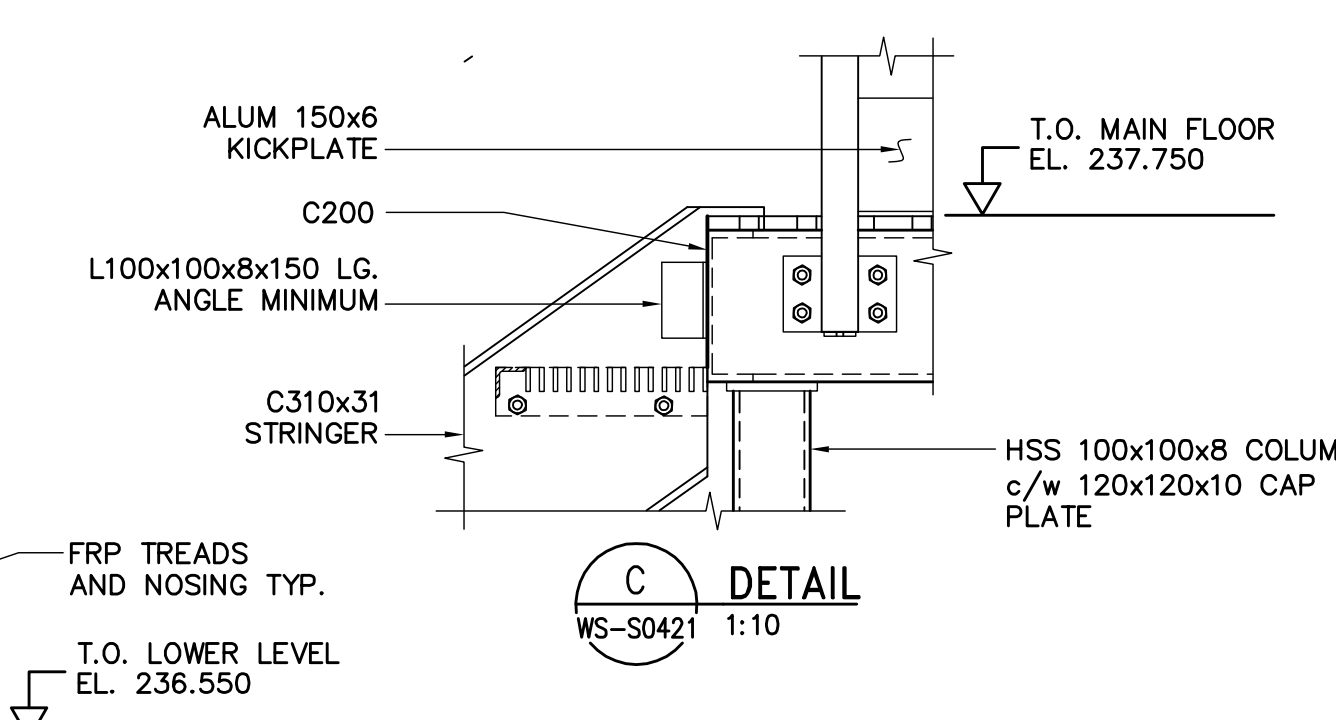
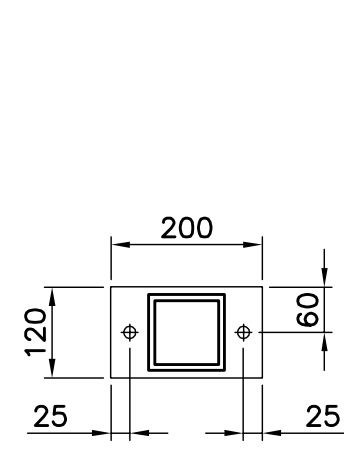
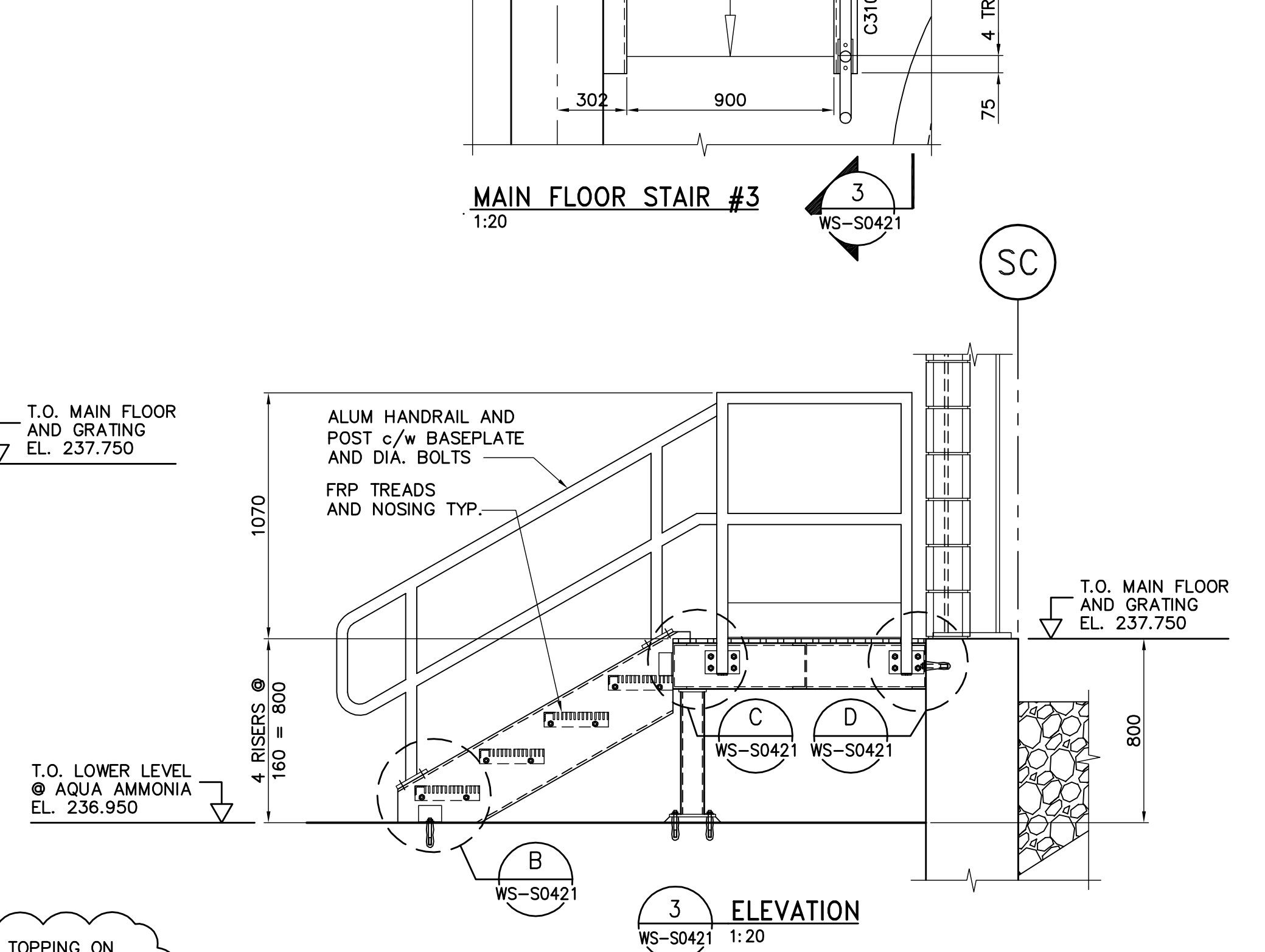
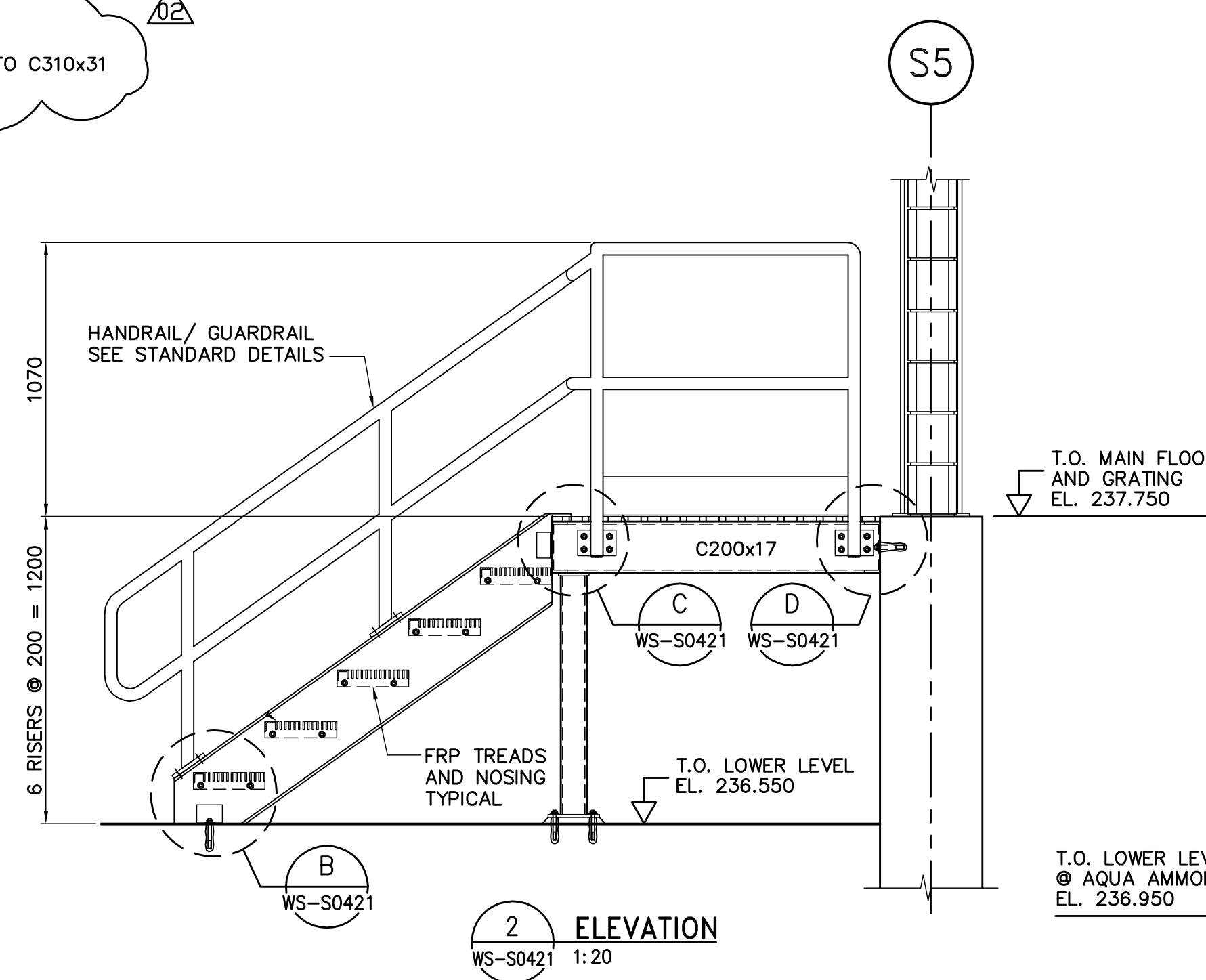
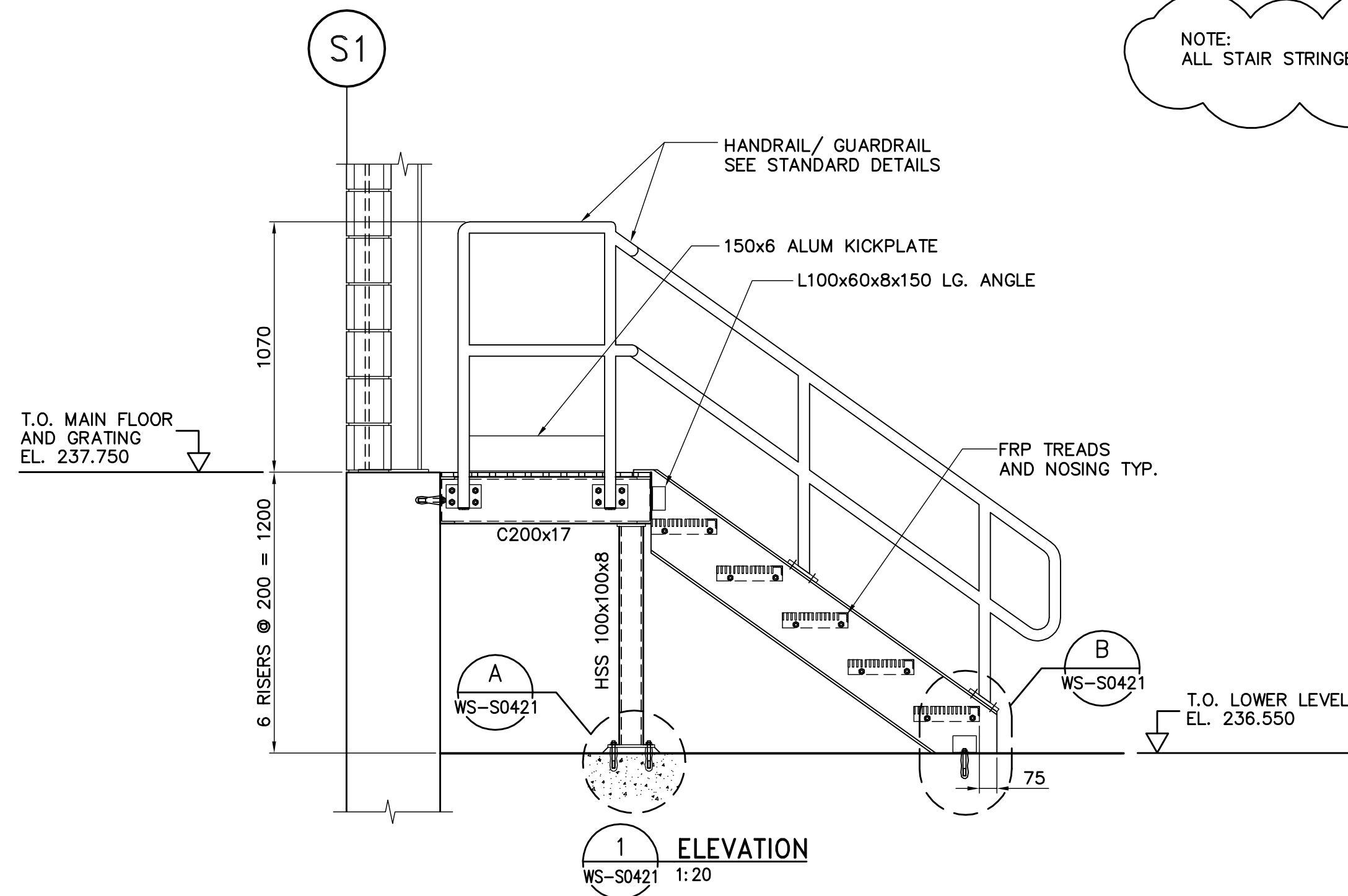


NOTE:
ALL STAIR STRINGERS REVISED TO C310x31



APECM
Certificate of Authorization
Earth Tech Canada Inc.
No. 730 Expiry: April 30, 2007

B.M. ELEV.	CH2M HILL Frederickson Cooper ARCHITECTS	EarthTech A Tyco International Ltd. Company	ENGINEER'S SEAL ORIGINAL SIGNED BY A. POCHANART 2007/01/31	THE CITY OF WINNIPEG WATER AND WASTE DEPARTMENT ENGINEERING DIVISION
	DESIGNED BY: ARA	CHECKED BY: AP	CONSULTANT DRAWING NO. WS-S0421	CITY FILE NUMBER
	DRAWN BY: WDB	APPROVED BY: AHL		SHEET OF
	SCALE: AS NOTED	RELEASED FOR CONSTRUCTION BY: R. SOROKOWSKI		CITY DRAWING NUMBER
02 792-2006 ADDENDUM 3 07/03/30 WDB	DATE: 2006/10/05	DATE: 2007/01/31		1-06018-A-S0421-001-02D
01 792-2006 ADDENDUM 2 07/03/22 WDB				
00 ISSUED FOR TENDER 07/01/31 WDB				
NO. REVISIONS				