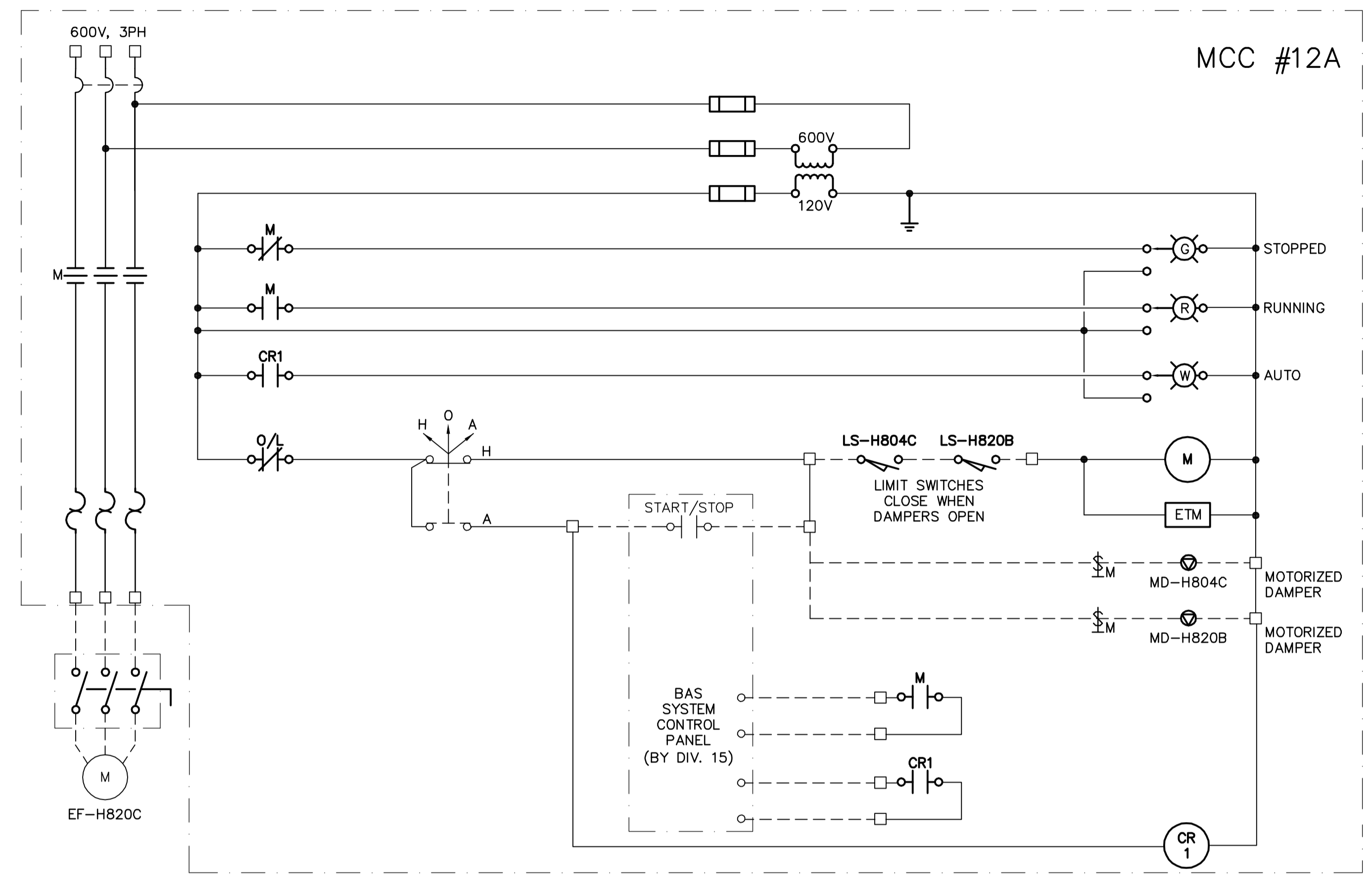


EXHAUST FAN EF-H818B

TYPICAL FOR EF-H819B, SF-H831A

NOTES

- 1. STARTER IN MCC AND ALL FIELD WIRING BY DIVISION 16 EXCEPT WIRING TO BAS SYSTEM BY DIVISION 15.



EXHAUST FAN EF-H820C

TYPICAL FOR EF-H821C, EF-H824C, EF-H824C, EF-H825C SF-H828A, EF-H829C

NOTES

- 1. STARTER IN MCC AND ALL FIELD WIRING BY DIVISION 16 EXCEPT WIRING TO BAS SYSTEM BY DIVISION 15.

APEGM
 Certificate of Authorization
 Earth Tech Canada Inc.
 No. 730 Expiry: April 30, 2007

NO.	REVISIONS	DATE	BY
01	792-2006 ADDENDUM 5	07/04/11	ERC
00	ISSUED FOR TENDER	07/01/31	ERC

CH2MHILL
 Frederickson Cooper
 ARCHITECTS

EarthTech
 A Tech International Ltd. Company

DESIGNED BY	BLM	CHECKED BY	PS
DRAWN BY	ERC	APPROVED BY	AHL
SCALE:	NTS	RELEASED FOR CONSTRUCTION BY:	R. SOROKOWSKI
DATE	2007/01/15	DATE	2007/01/31

ENGINEER'S SEAL

ORIGINAL SIGNED BY
 P. STRYK
 2007/01/31

CONSULTANT DRAWING NO.
 WS-E0512

THE CITY OF WINNIPEG
 WATER AND WASTE DEPARTMENT
 ENGINEERING DIVISION

WATER TREATMENT PLANT
 BULK CHEMICAL BUILDING
 SODIUM HYPOCHLORITE AND CHEMICAL STORAGE BUILDING

ELECTRICAL
 FANS
 TYPICAL STARTER SCHEMATIC

CITY FILE NUMBER	
SHEET OF	
CITY DRAWING NUMBER	1-0601S-H-E0512-001-01D