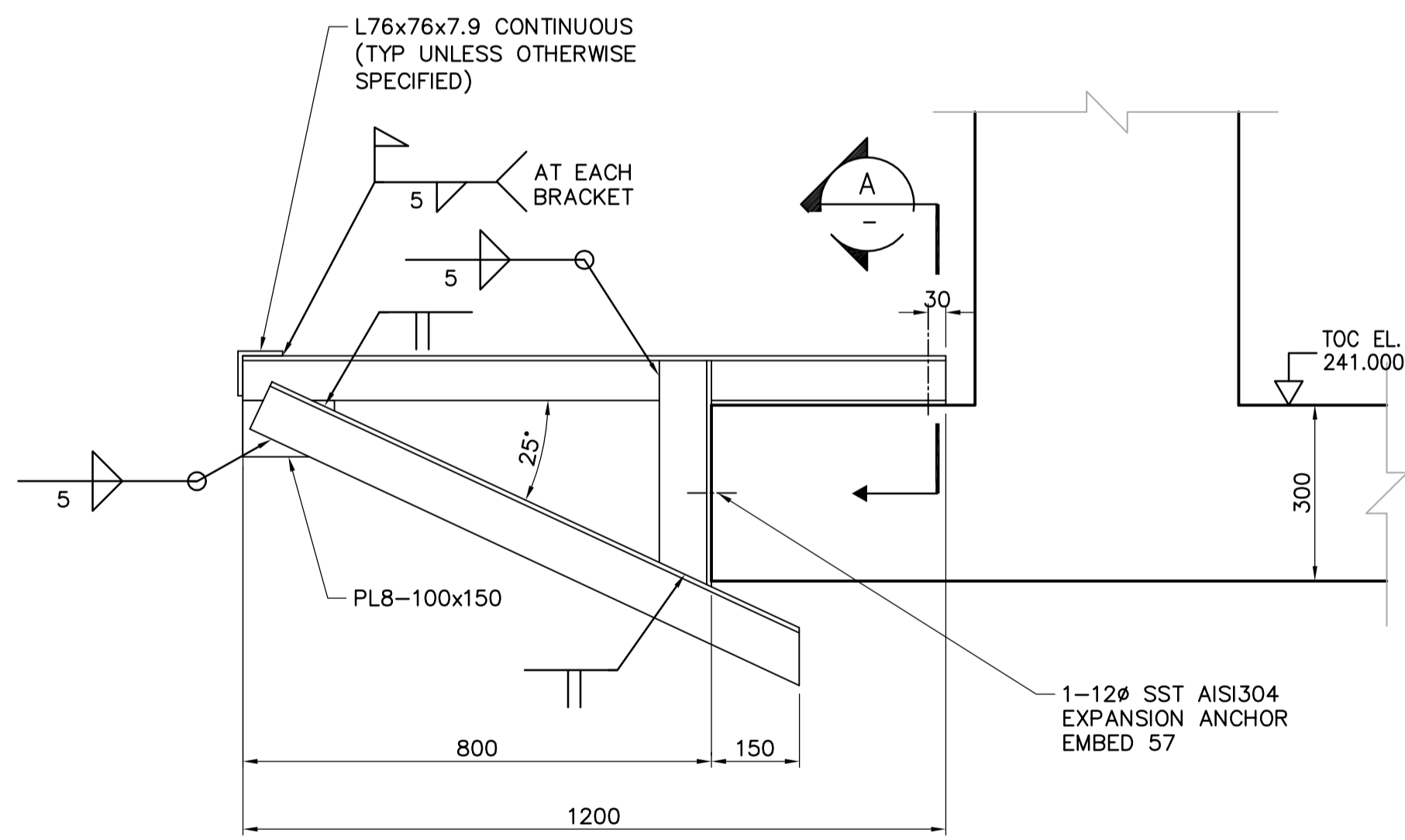
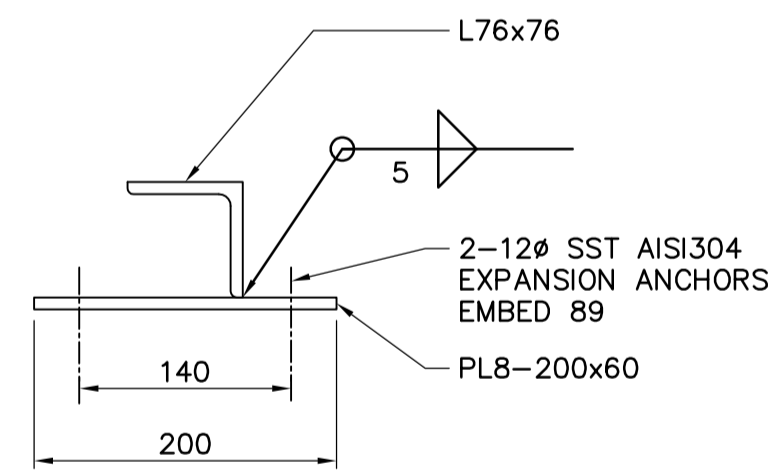


PARTIAL PLAN AT EL. 241.000
N.T.S.



1 DETAIL
1:10



A SECTION
1:5

<p>Certificate of Authorization CH2M HILL Canada Ltd. No. 1441 Expiry: April 30, 2007</p>					ENGINEER'S SEAL ORIGINAL SIGNED BY D. KRUGER 2007/03/29		<p>THE CITY OF WINNIPEG WATER AND WASTE DEPARTMENT ENGINEERING DIVISION</p>	
	DESIGNED BY: MH CHECKED BY: AP		DRAWN BY: CR APPROVED BY: AHL		SCALE: 1:50 RELEASED FOR CONSTRUCTION BY: R. SOROKOWSKI		CONSULTANT DRAWING NO. WB-S6121	
	NO. 00 REVISIONS 793-2006 ADDENDUM 1 DATE 07/03/29 BY MH		DATE 2007/03/29		DATE 2007/03/29		WATER TREATMENT PLANT CHEMICAL FEED SYSTEMS OFFICE AND PLANT INTERIOR FINISHES	
							STRUCTURAL ADMINISTRATION BUILDING CANOPY SUPPORT	
						CITY FILE NUMBER SHEET OF CITY DRAWING NUMBER 1-0601B-A-S6121-001-000		