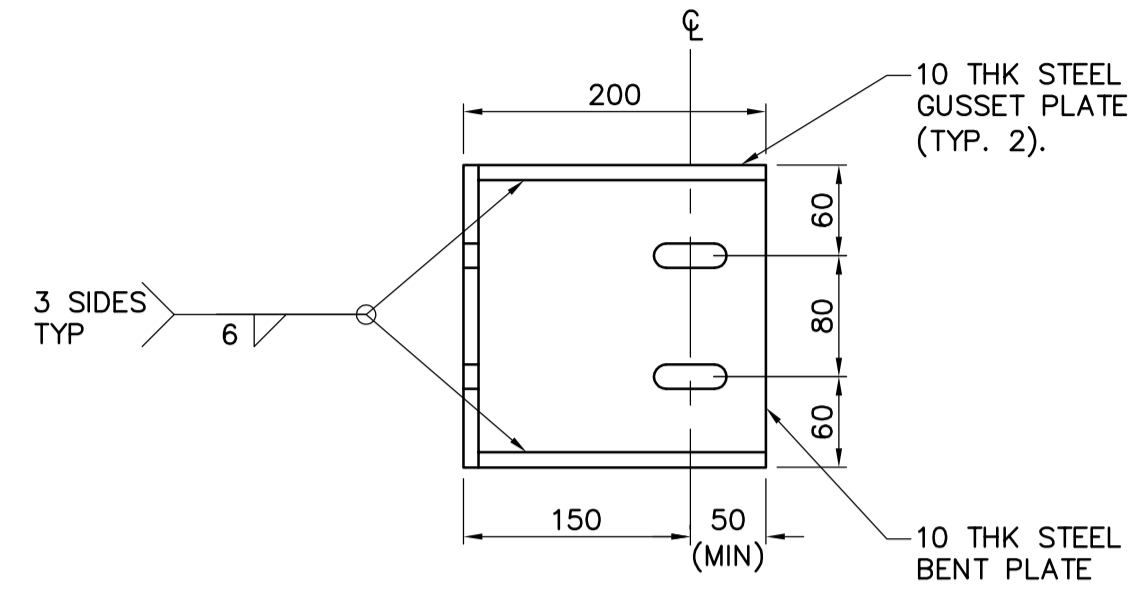
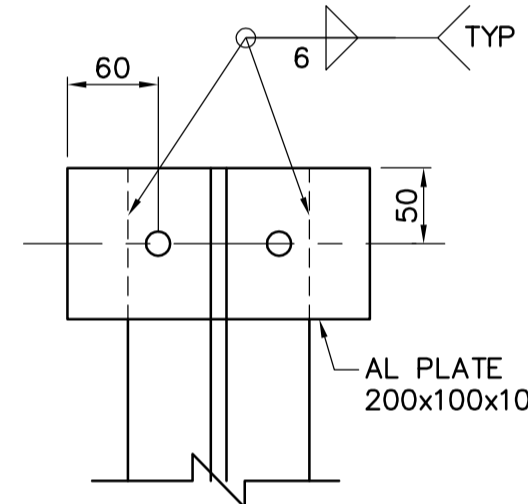


A SECTION
WB-S6130 1:10
SEE NOTES 1 AND 2



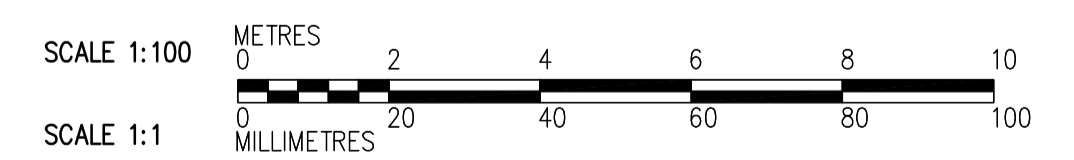
B SECTION
1:5



C SECTION
1:5

NOTES:

1. PROVIDE VERTICAL MULLIONS @ LOUVRE SECTION JOINTS. MAXIMUM SPACING @ 2000. COORDINATE WITH CONTRACT ADMINISTRATOR FOR LOUVRE SECTIONS.
2. PROVIDE PROTECTION BETWEEN DISSIMILAR METALS AS PER SPECIFICATIONS.



<p>Certificate of Authorization CH2M HILL Canada Ltd. No. 1441 Expiry: April 30, 2007</p>					ENGINEER'S SEAL ORIGINAL SIGNED BY D. KRUGER 2007/04/10		<p>THE CITY OF WINNIPEG WATER AND WASTE DEPARTMENT ENGINEERING DIVISION</p>		
	DESIGNED BY: MH		CHECKED BY: AP		CONSULTANT DRAWING NO. WB-S6202		WATER TREATMENT PLANT MAIN BUILDING BUILDING ENVELOPE		
	DRAWN BY: CR		APPROVED BY: AHL				CITY FILE NUMBER SHEET OF		
	SCALE: AS NOTED		RELEASED FOR CONSTRUCTION BY: R. SOROKOWSKI		CITY DRAWING NUMBER 1-0601B-A-S6202-001-000		STRUCTURAL OVERALL BUILDING LOUVRE SECTIONS		
B.M. ELEV.		NO. REVISIONS		DATE BY		DATE		DATE	