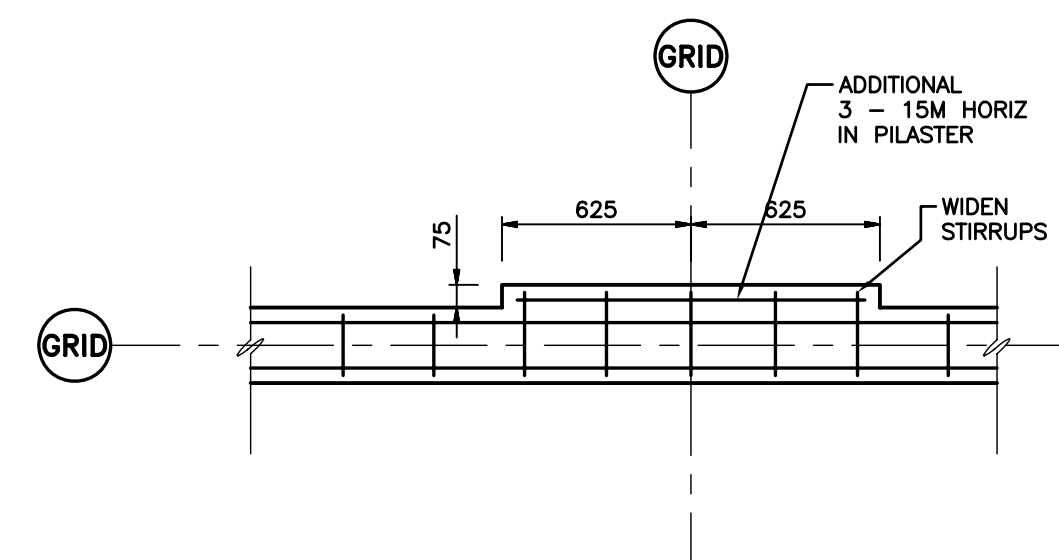
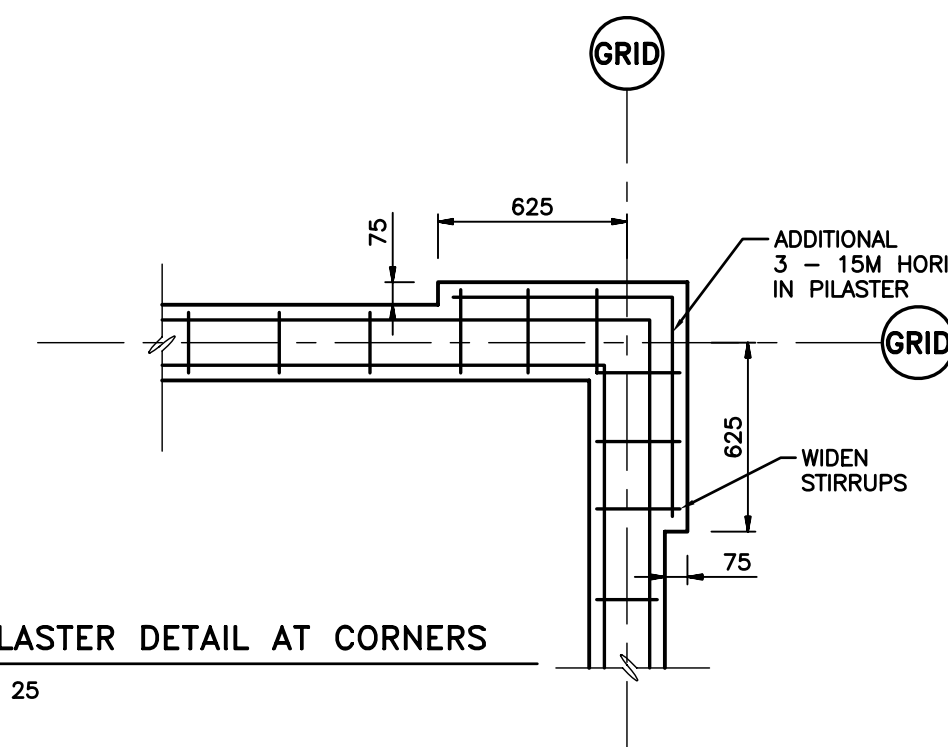


**3**  
S-6 NAILING & GUSSETS FOR TRUSS LAMINATING  
N.T.S.



**1**  
S-6 PILASTER DETAIL AT COLUMNS  
1 : 25

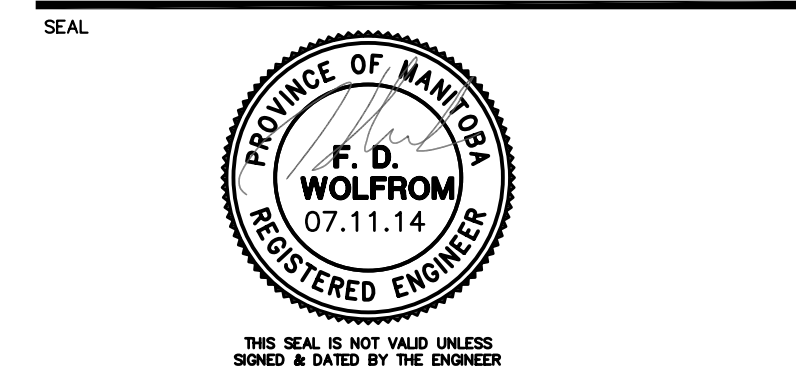


**2**  
S-6 PILASTER DETAIL AT CORNERS  
1 : 25

**APEGN**  
Certificate of Authorization  
Wolfrom Engineering Ltd.  
No. 1156 Expiry: April 30, 2008

3	ISSUED FOR CONSTRUCTION	07.11.14	JR
2	95% SUBMISSION	07.07.06	SRB
1	UPDATED FOR PRICING	07.04.11	SRB
0	FOR PRICING	07.03.30	SRB

**WOLFROM** ENGINEERING LTD  
CONSULTING ENGINEERS  
3445 WARDLAW AVENUE  
WINNIPEG, CANADA R3L 0L5  
(204)452-0041 FAX: 284-8680  
E-Mail: info@wolfromeng.com



JOB TITLE  
**VALOUR COMMUNITY CENTRE  
GYMNASIUM ADDITION AND  
RENOVATIONS  
715 TELFER STREET N. WINNIPEG**

DRAWING TITLE  
**SECTIONS  
AND DETAILS**

DRAWN BY SRB/JR	SCALE AS NOTED	DRAWING NO. <b>S-6</b>
FILE NO. W06440	DATE NOV 2007	REVISION NO. 2