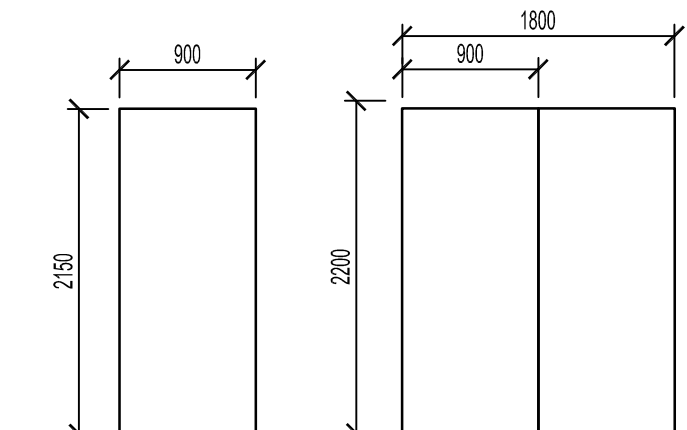
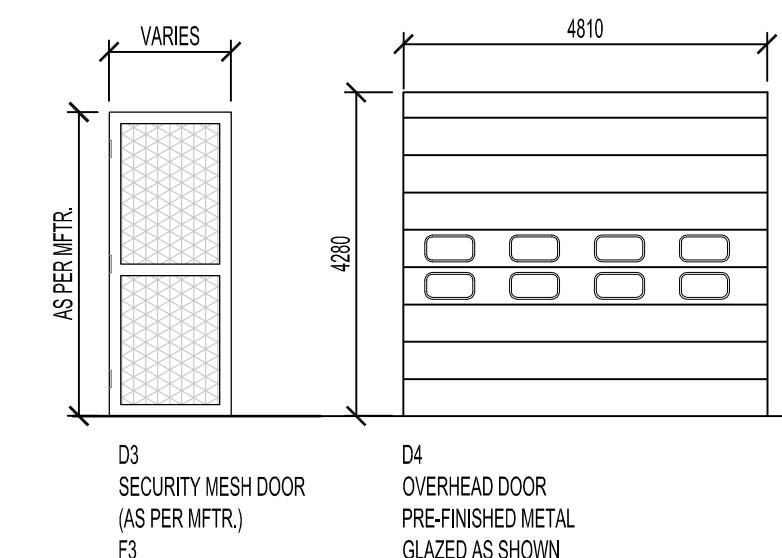


KEY PLAN  
SCALE: NTS



D1 HM DOOR  
HOLLOW CORE  
PAINT FINISH  
F1

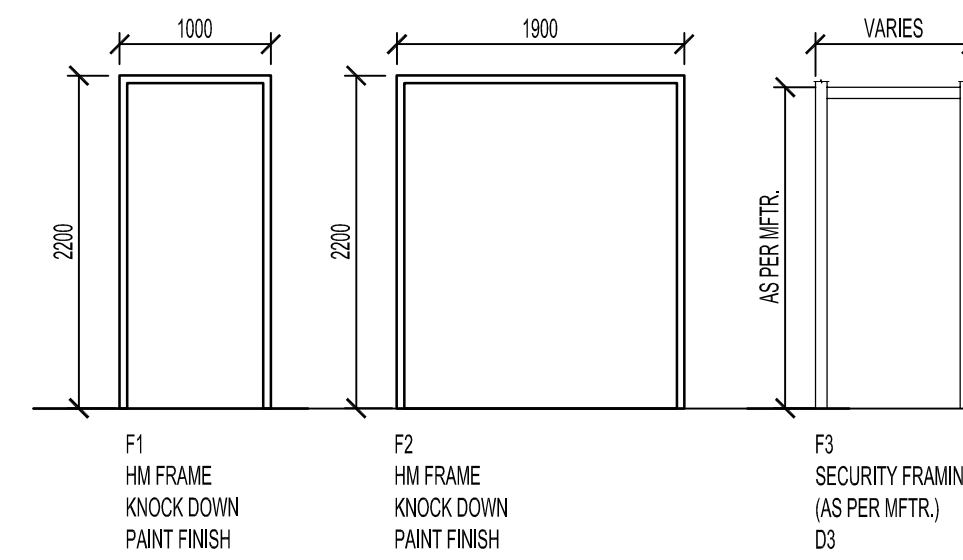
D2 HM DOOR  
HOLLOW CORE  
PAINT FINISH  
F2



D3 SECURITY MESH DOOR  
(AS PER MFR.)  
F3

D4 OVERHEAD DOOR  
PRE-FINISHED METAL  
GLAZED AS SHOWN

DOOR TYPES  
SCALE: NTS

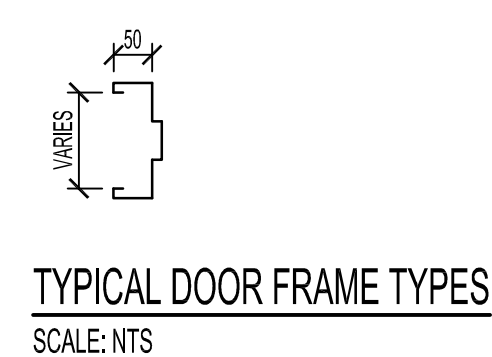


F1 HM FRAME  
KNOCK DOWN  
PAINT FINISH  
D1

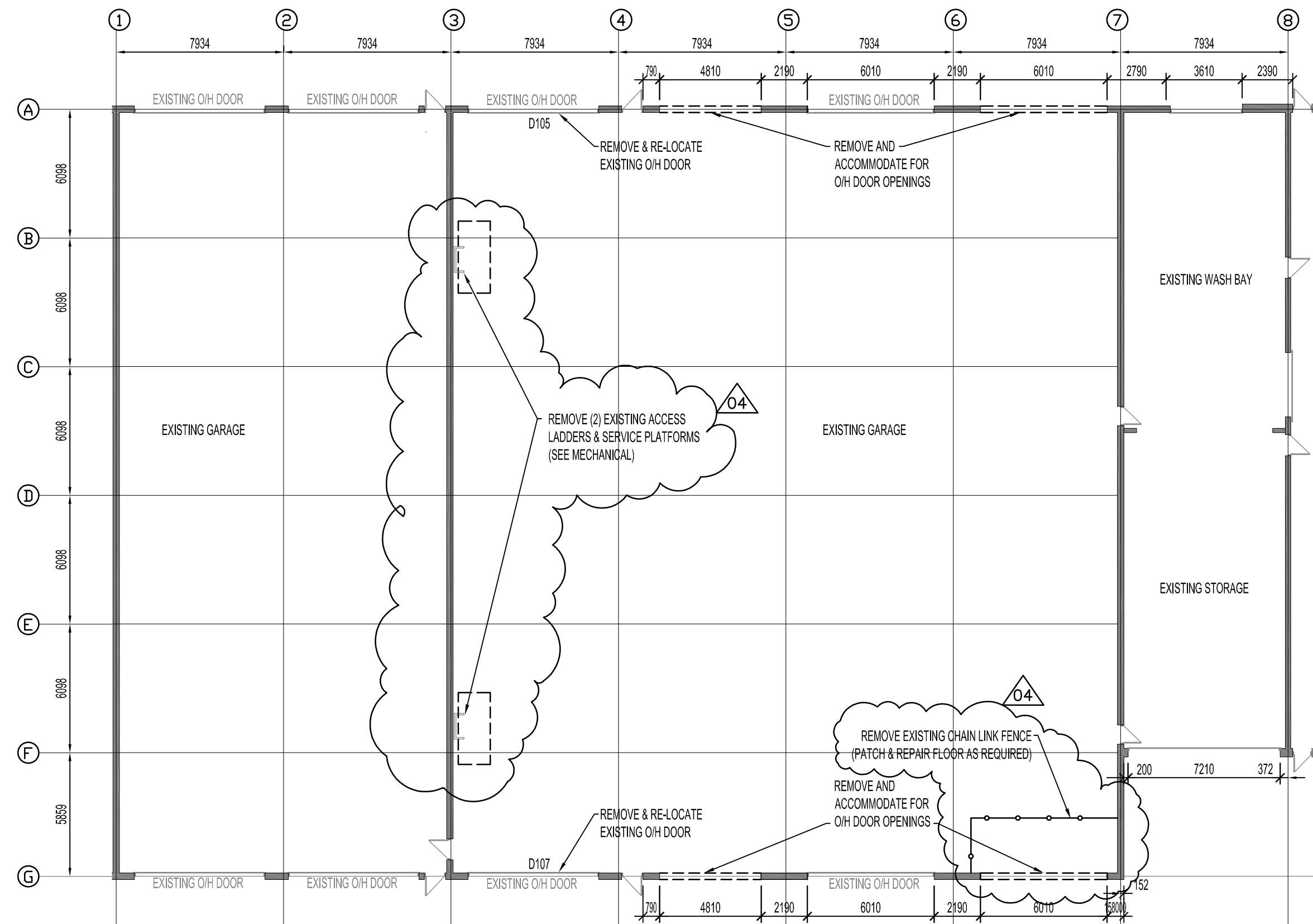
F2 HM FRAME  
KNOCK DOWN  
PAINT FINISH  
D2

F3 SECURITY FRAMING  
(AS PER MFR.)  
D3

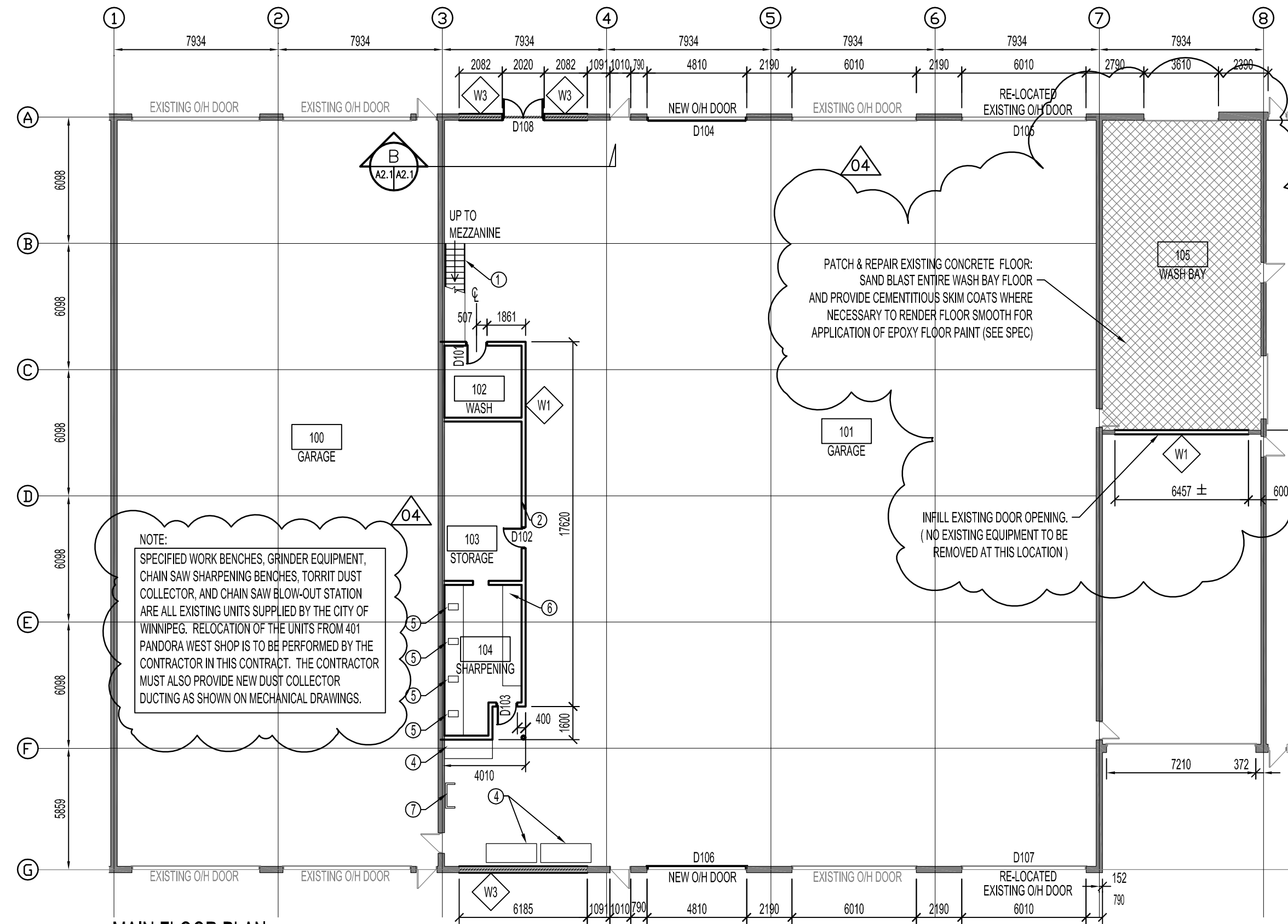
FRAME TYPES  
SCALE: NTS



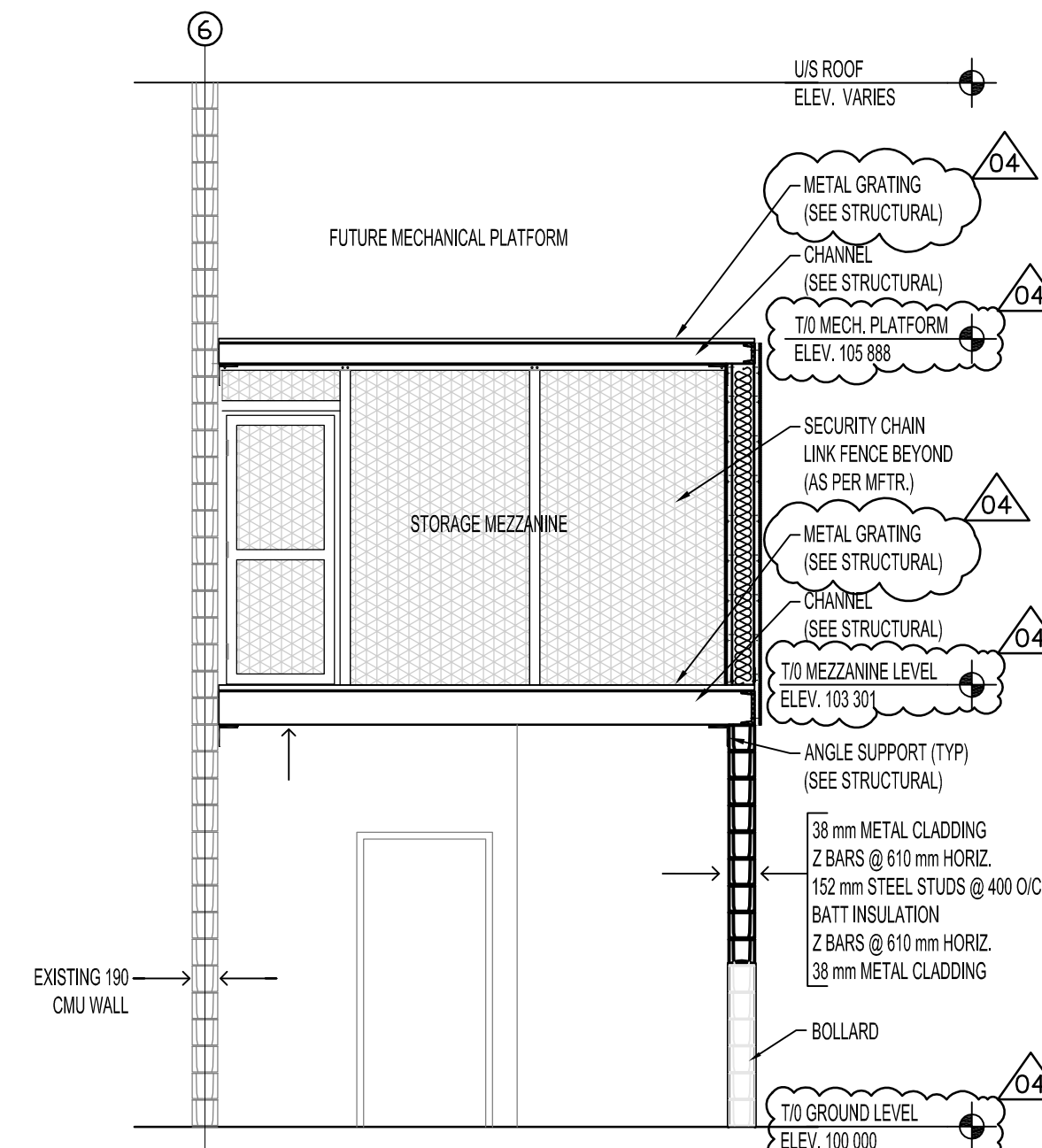
TYPICAL DOOR FRAME TYPES  
SCALE: NTS



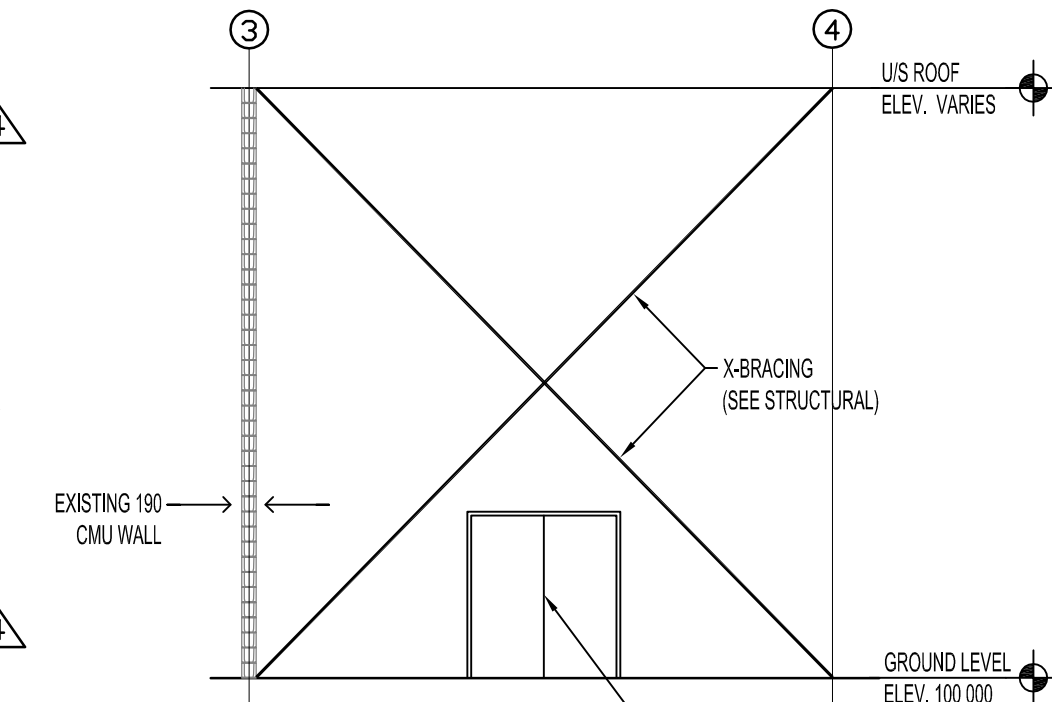
DEMOLITION - MAIN FLOOR PLAN  
SCALE: 1:200



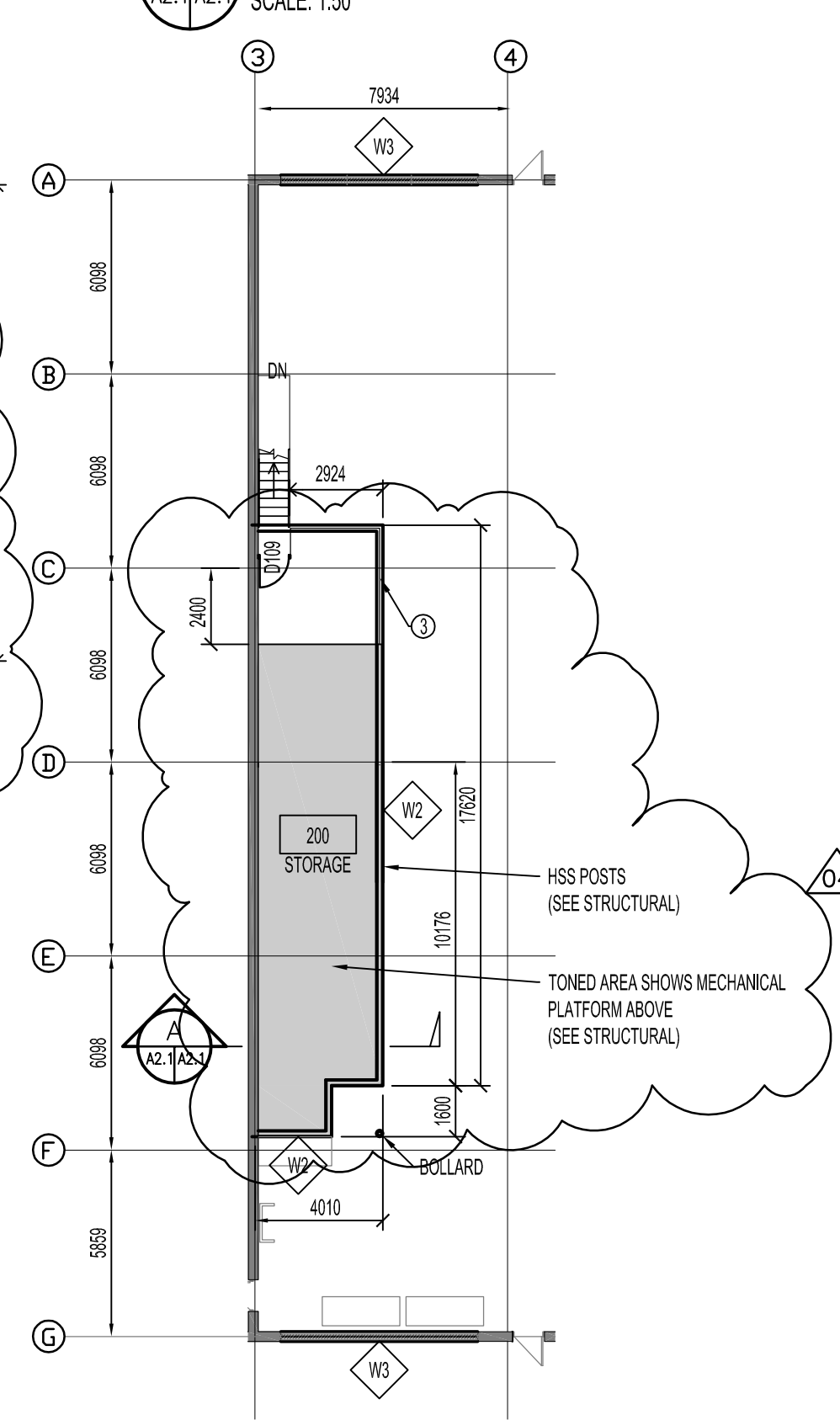
MAIN FLOOR PLAN  
SCALE: 1:200



SECTION A  
SCALE: 1:50



SECTION B  
SCALE: 1:100



MEZZANINE & MECHANICAL PLATFORM  
SCALE: 1:200

LEGEND

SV	SHEET VINYL
EP	EPOXY
CONC	CONCRETE
CSV	COVERED SHEET VINYL (4" HIGH)
DW	DRYWALL
LAT	LAY-IN ACOUSTIC TILE
PT	PAINTED
HM	HOLLOW METAL
PFM	PRE-FINISHED METAL
ALUM	ALUMINIUM
STL	STEEL

DRAWING NOTES

- NEW STAIR TO MEZZANINE
- NEW STORAGE MEZZANINE ABOVE
- CHAIN LINK FENCE (AS PER MFR.)
- 2440 mm x 914 mm WORK BENCH (RELOCATE FROM 401 PANDORA WEST SHOP)
- GRINDER EQUIPMENT (RELOCATE FROM 401 PANDORA WEST SHOP)
- CHAIN SAW SHARPENING BENCHES (RELOCATE FROM 401 PANDORA WEST SHOP)
- CHAIN SAW BLOW-OUT STATION (RELOCATE FROM 401 PANDORA WEST SHOP)

FINISH SCHEDULE	
ROOM NO.	ROOM NAME
100	GARAGE
101	GARAGE
102	WASH
103	STORAGE
104	SHARPENING
105	WASH BAY

DOOR SCHEDULE	
DOOR NO.	TO ROOM
D100	WASH
D102	STORAGE
D103	SHARPENING
D104	GARAGE
D105	GARAGE
D106	GARAGE
D107	GARAGE
D108	GARAGE
D109	MEZZANINE STORAGE

HARDWARE GROUP SCHEDULE	
GROUP 1	(GENERAL LATCHED)
- (3) HINGES	
- PASSAGE SET	
- CLOSER	

WALL SCHEDULE	
GROUP 1	
W1	- 190 x 380 MASONRY BLOCK
W2	- 38 mm METAL CLADDING - 100 T.B. Z-BARS @ 610 mm HORIZ. - 152 mm STEEL STUDS @ 400 O.C. - BATT INSULATION - Z-BARS @ 610 mm HORIZ. - 38 mm METAL CLADDING
W3	- 38 mm METAL CLADDING - 100 mm RIGID INSULATION - 100 T.B. Z-BARS @ 610 mm HORIZ. - AIR/VAPOUR BARRIER - 16 TYPE X EXT. GIBB - 152 mm STEEL STUDS @ 400 mm O.C. - 38 mm PRE-FINISHED METAL LINER - X-BRACING (SEE STRUCTURAL)

**NOTES :**  
THESE DRAWINGS SHALL NOT BE SCALED.  
THE CONTRACTOR SHALL VISIT THE SITE AND SATISFY HIMSELF ALL DIMENSIONS, DATUM, AND DETAILED INFORMATION SHOWN ARE CORRECT.  
THE CONTRACTOR IS TO REVIEW AND COORDINATE ALL ARCHITECTURAL, MECHANICAL, ELECTRICAL AND STRUCTURAL DRAWINGS FOR ADDITIONAL OPENINGS THROUGH FLOORS, WALLS, AND CEILINGS FOR DUCT, PIPE & ELECTRICAL RISERS AND ALL OPENINGS NOT SHOWN ON DRAWINGS.  
ALL OPENINGS THROUGH FIRE ASSEMBLIES ARE TO BE FIRE STOPPED AND SEALED WITH ULC APPROVED FIRE STOPPING TO MAINTAIN THE INTEGRITY OF THE FIRE SEPARATION, AND PROVIDE A SMOKE-TIGHT BARRIER.  
ALL PRODUCTS AND MATERIALS TO BE USED AND INSTALLED SHALL CONFORM WITH MANUFACTURER'S SPECIFICATIONS & APPLICABLE CODES.  
THE CONTRACTOR SHALL BE RESPONSIBLE TO PATCH AND MAKE GOOD ALL EXISTING CONSTRUCTION AFFECTED BY THE REMOVAL OF ALL ITEMS FORMING THE PART OF THE RENOVATION WORK.  
WHERE NEW FLOORING AND BASE IS TO BE INSTALLED IN EXISTING AREAS (REFER TO FLOOR PLAN AND ROOM SCHEDULE) THE EXISTING FLOORING SURFACE AND BASE MUST BE REMOVED, UNLESS OTHERWISE NOTED. ALL FLOOR SURFACES SHALL BE PREPARED ACCORDANCE TO MANUFACTURER'S RECOMMENDATIONS FOR INSTALLATION OF NEW FLOOR.  
WHERE PAINTING OF EXISTING WALLS IS INDICATED ON THE ROOM SCHEDULE, THESE WALLS MUST BE CLEANED OF ANY EXISTING WALL COVERING, PATCHED & PREPARED TO ACCEPT NEW MATERIAL, UNLESS OTHERWISE NOTED.

NO.	REVISION/DESCRIPTION	BY	DATE
04	ADDENDUM 3	DG	NOV 21/07
03	ADDENDUM 1	DG	NOV 19/07
02	ISSUED FOR TENDER	DG	NOV 20/07
01	FINAL REVIEW	DG	OCT 16/07

DRAWN BY	CAD	CHECKED BY	APPROVED
DATE	2007 Apr 12	USER APPROVAL	

**CITY OF WINNIPEG**  
PLANNING, PROPERTY &  
DEVELOPMENT DEPARTMENT  
CIVIC ACCOMMODATIONS DIVISION  
300 - 65 GARRY ST. R3C 4K4

PROJECT  
**CONSTRUCTION OF OFFICE/GARAGE**  
RENOVATIONS & STORAGE BUILDING  
AT 1539 WAVERLEY STREET

SHEET TITLE  
**GARAGE - DEMOLITION - MAIN FLOOR PLAN**  
- MAIN FLOOR PLAN & MEZZANINE  
- SECTIONS & SCHEDULES

SCALE	PROJECT NO.	SHEET NO.
AS SHOWN	06063	GAR - A2.1