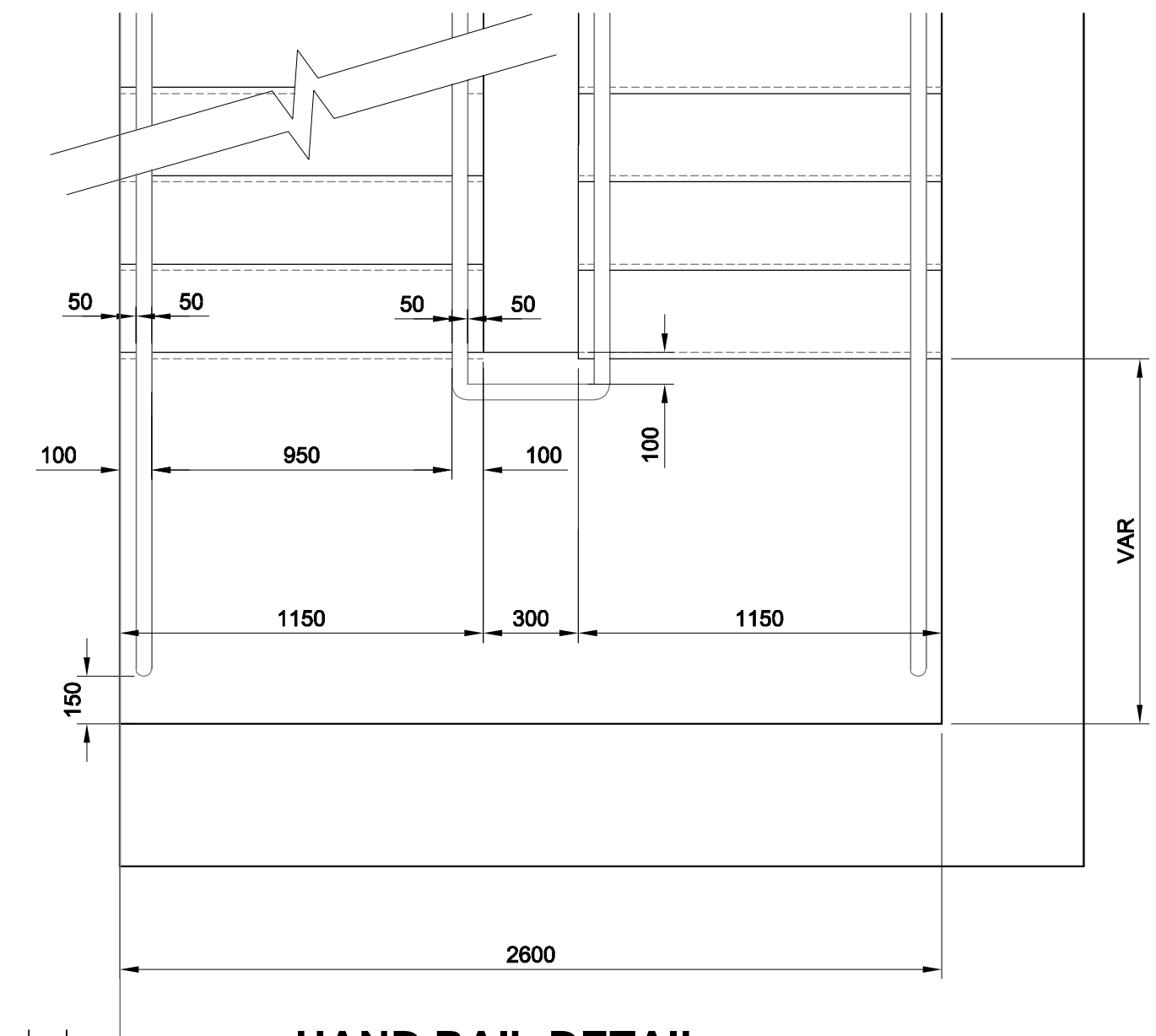
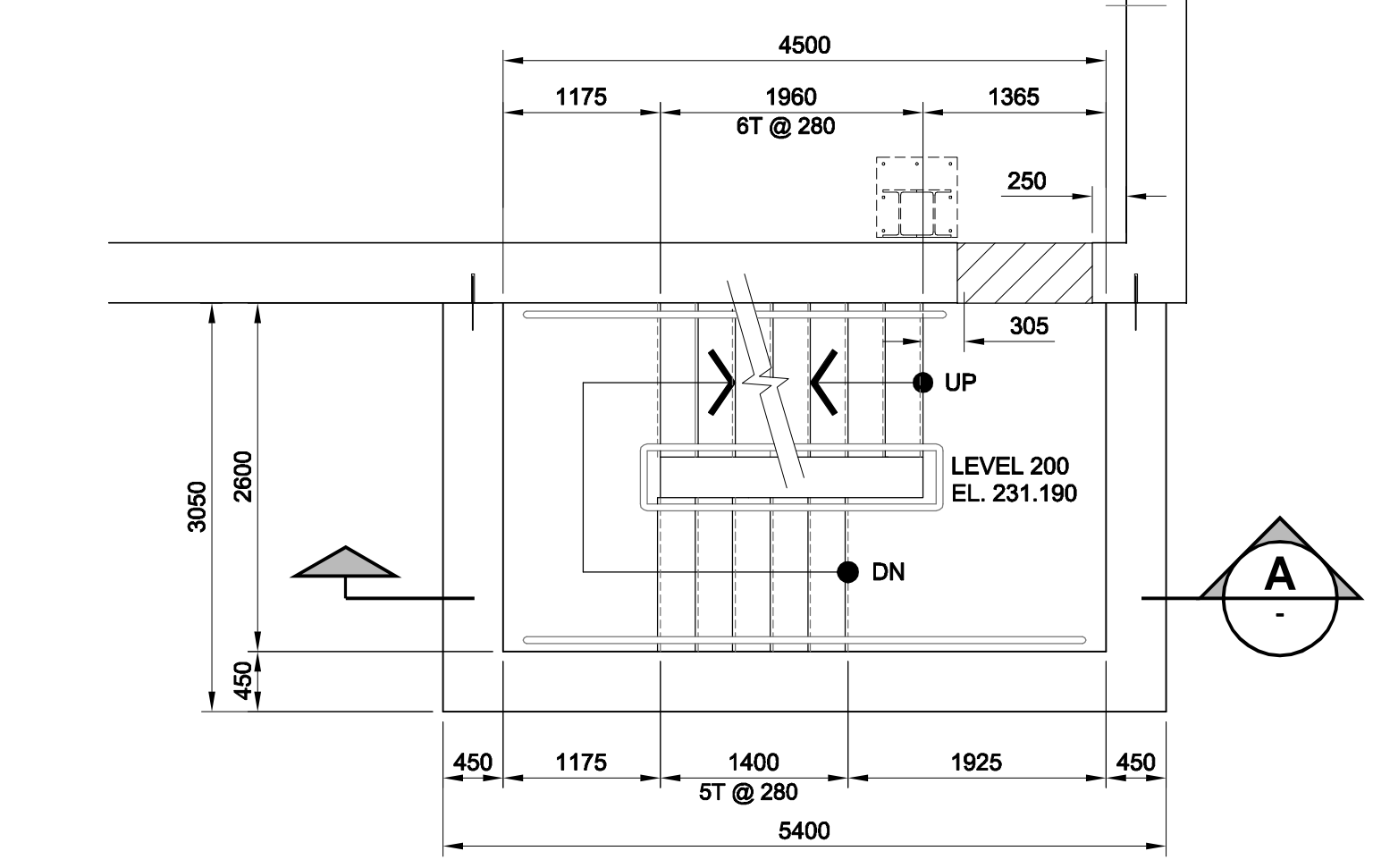
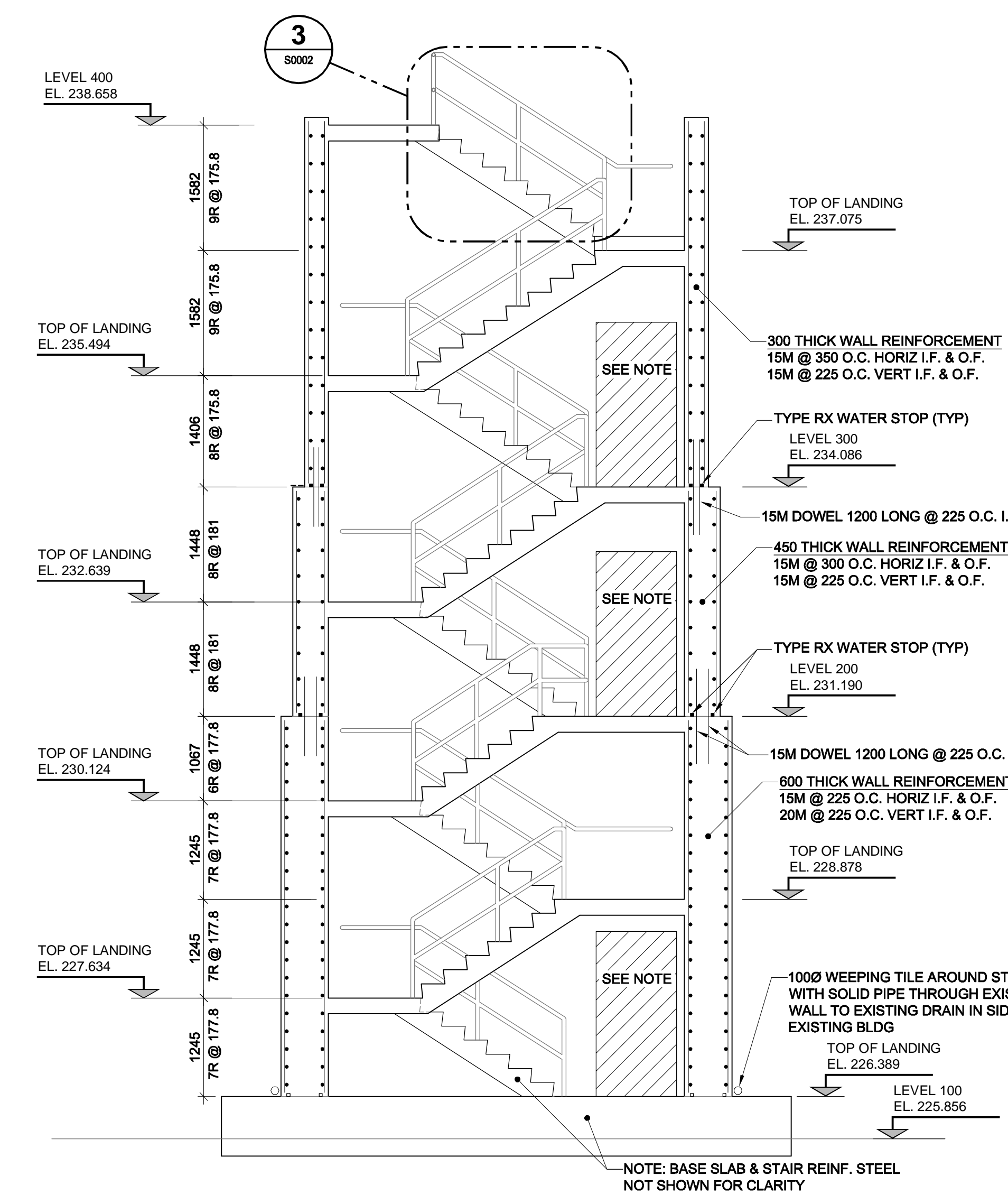


HAND RAIL DETAIL

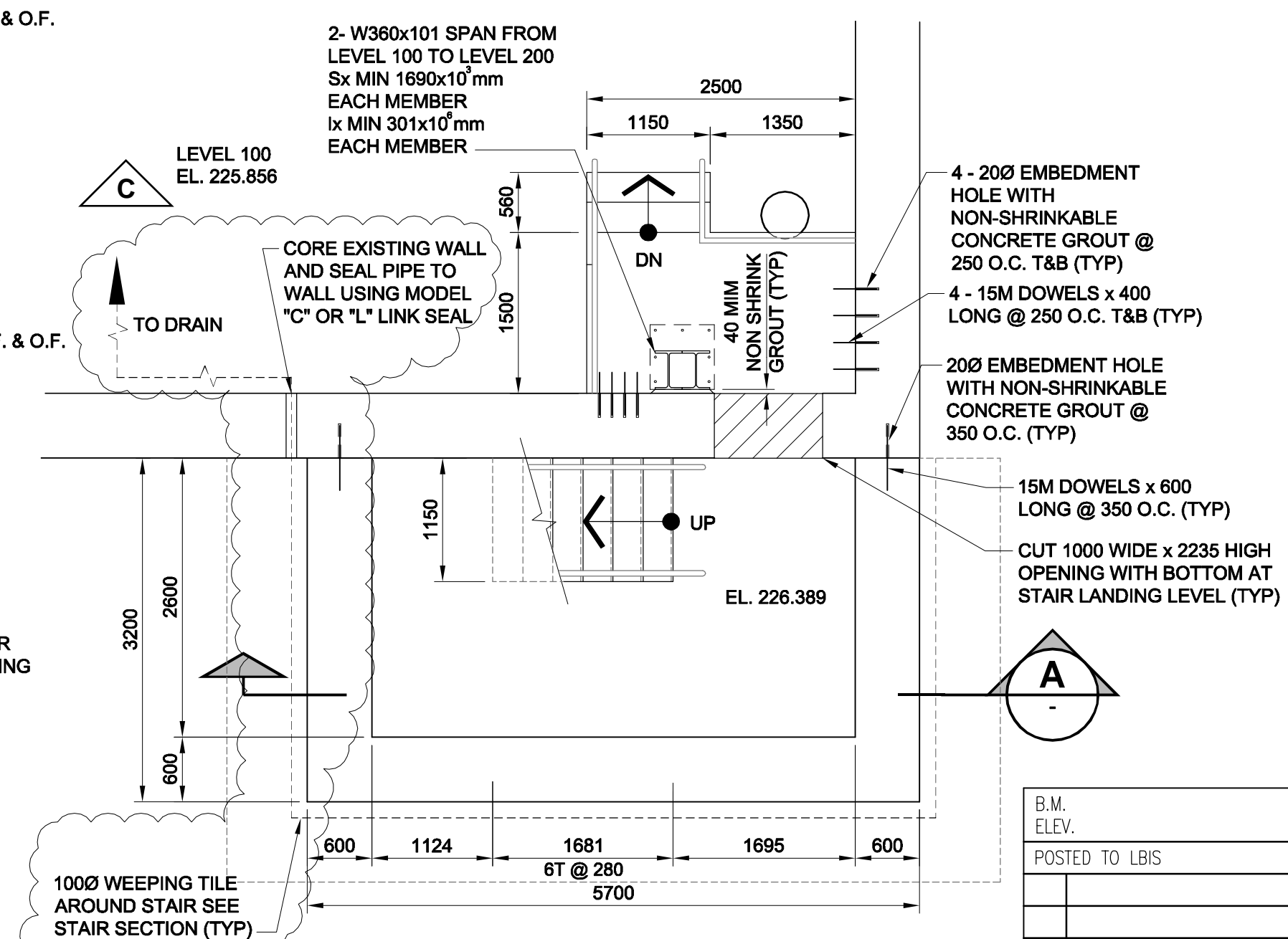
SECTION



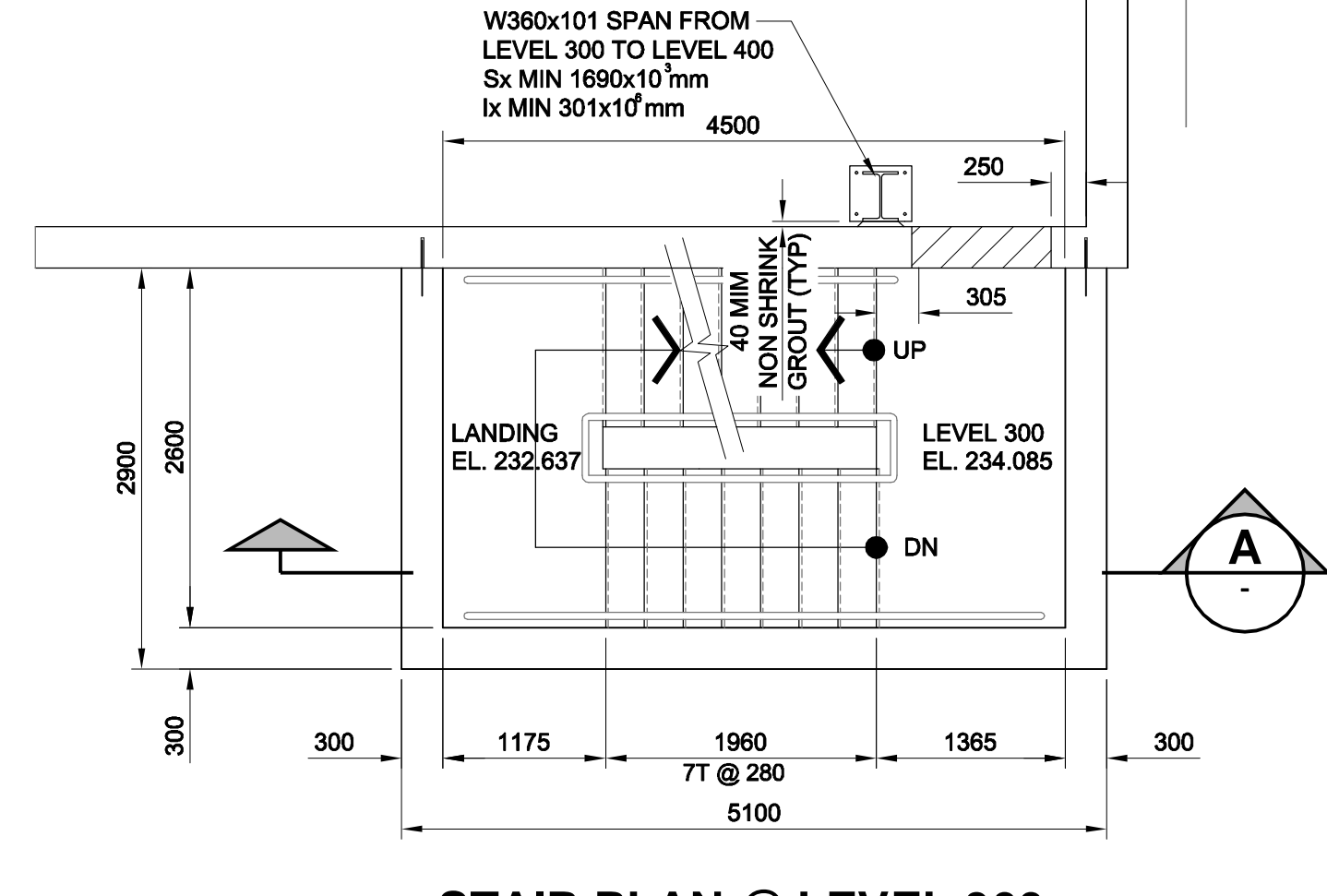
HAND RAIL DETAIL



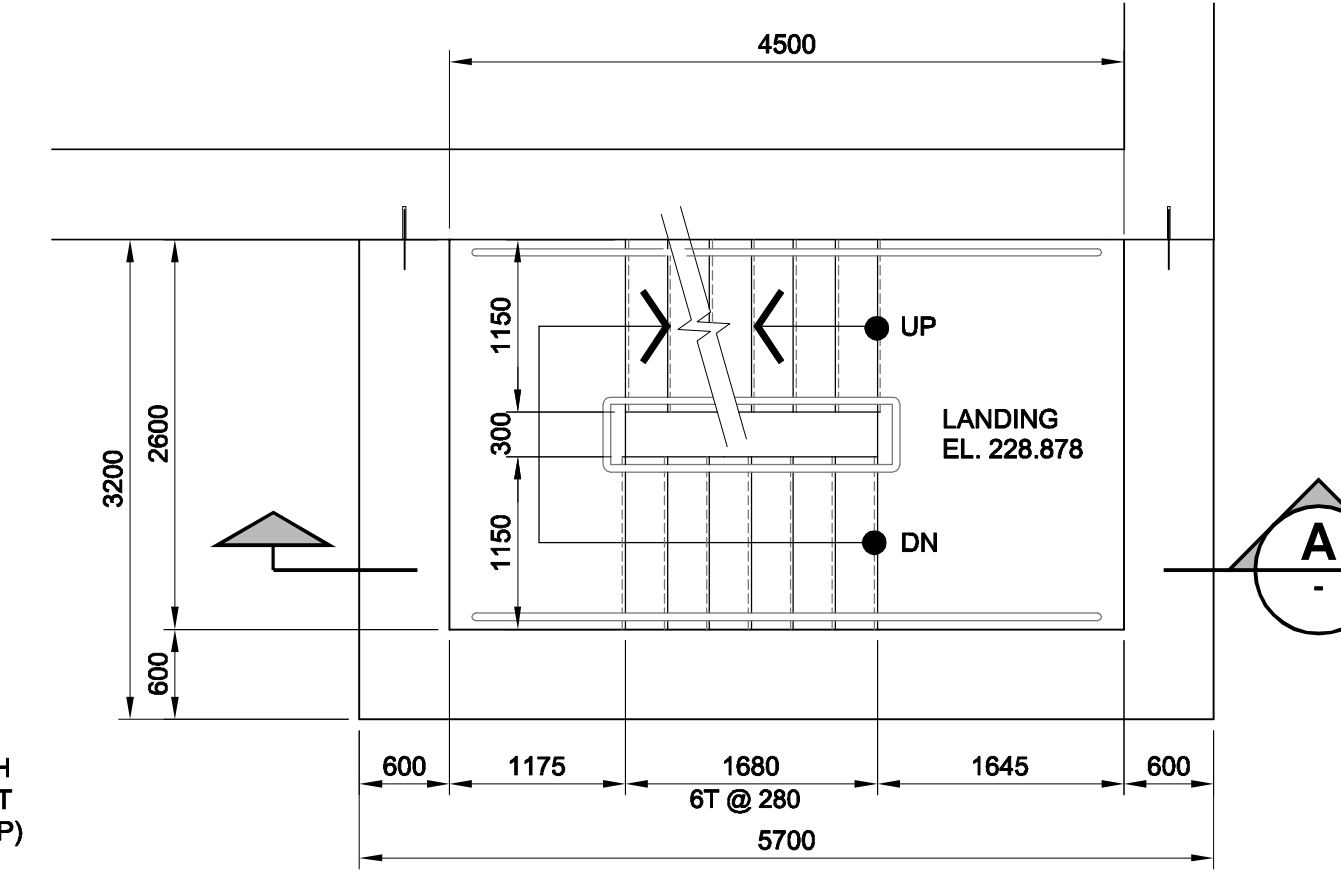
STAIR PLAN @ LEVEL 200



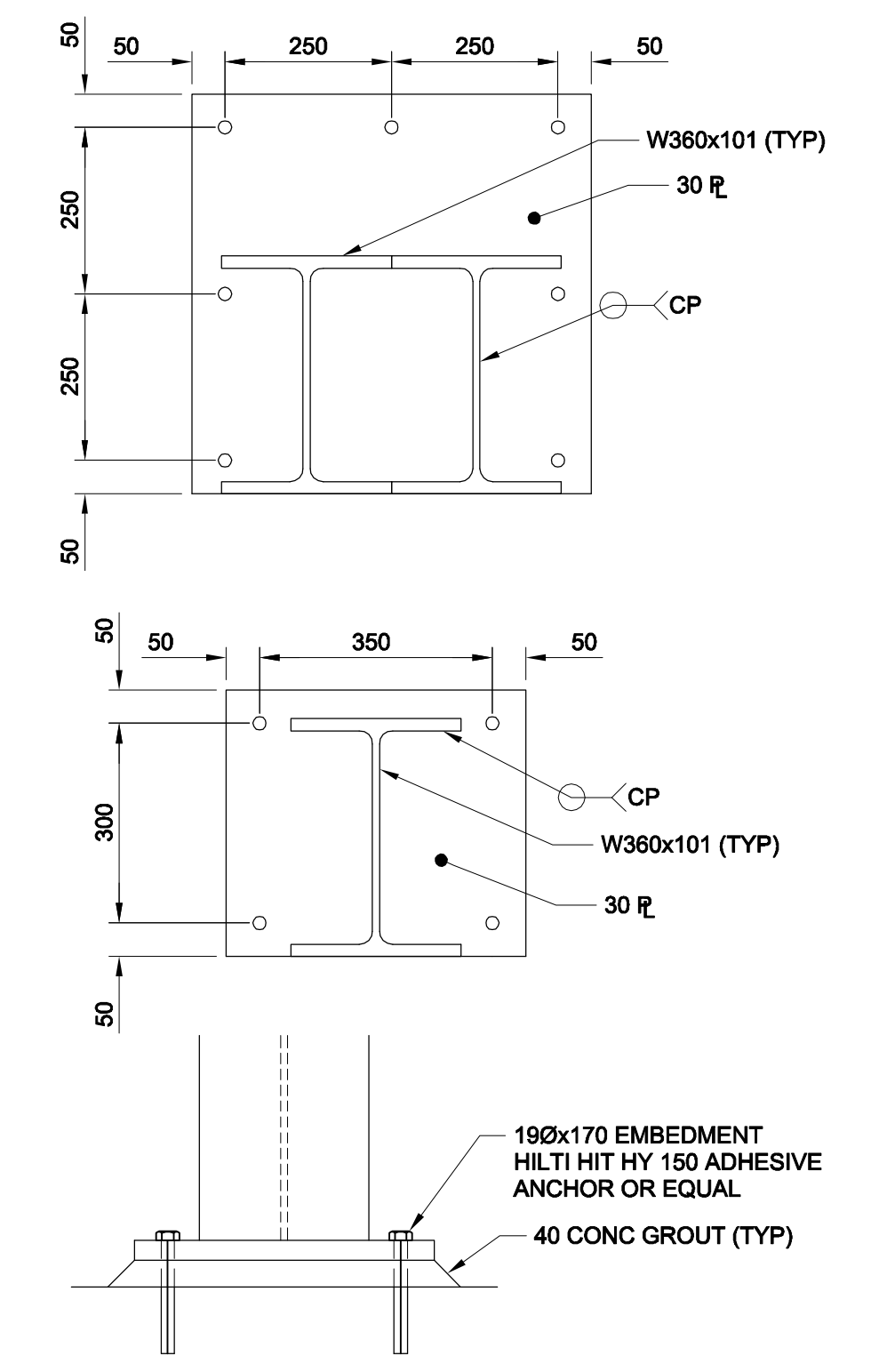
STAIR PLAN @ LEVEL 100



STAIR PLAN @ LEVEL 300



STAIR PLAN @ LANDING



VERT BEAM CONNECTION DETAILS

APCCM
Certificate of Authorization
UMA Engineering Ltd. (MB)
No. 256 Date: 08/01/23

MP	CGC	SBB	SBB	BLL
DRN	CHK	DES	ENG	IDR

UMA REVIEW

B.M. ELEV.	FIELD BOOK #:	UMA AECOM	
POSTED TO LBIS		DESIGNED BY GEB	CHECKED BY
		DRAWN BY Wjd	APPROVED BY
C ISSUED FOR ADENDUM 3	08/01/23	MP	HOR. SCALE AS NOTED
B ISSUED FOR BID	07/12/14	LJV	VERTICAL AS NOTED
A ISSUED FOR 100% REVIEW	09/11/07	KMB	DATE 07/09/12
NO. REVISIONS	DATE	BY	FILENAME: D265-202-02_02-S-0012_RX.dwg

ENGINEER'S SEAL

ISSUE / REVISION C ISSUED FOR ADDENDUM C WAS SEALED BY BARRY BISWANGER AND DATED 08/01/23

THE CITY OF WINNIPEG
WATER AND WASTE DEPARTMENT

PERIMETER ROAD PUMPING STATION UPGRADES
Contract B - Building Upgrades

Structural - East Stair
PLANS, SECTIONS & DETAILS

CITY DRAWING NUMBER 1-0111L-S0007

SHEET 001 REV. C SIZE D