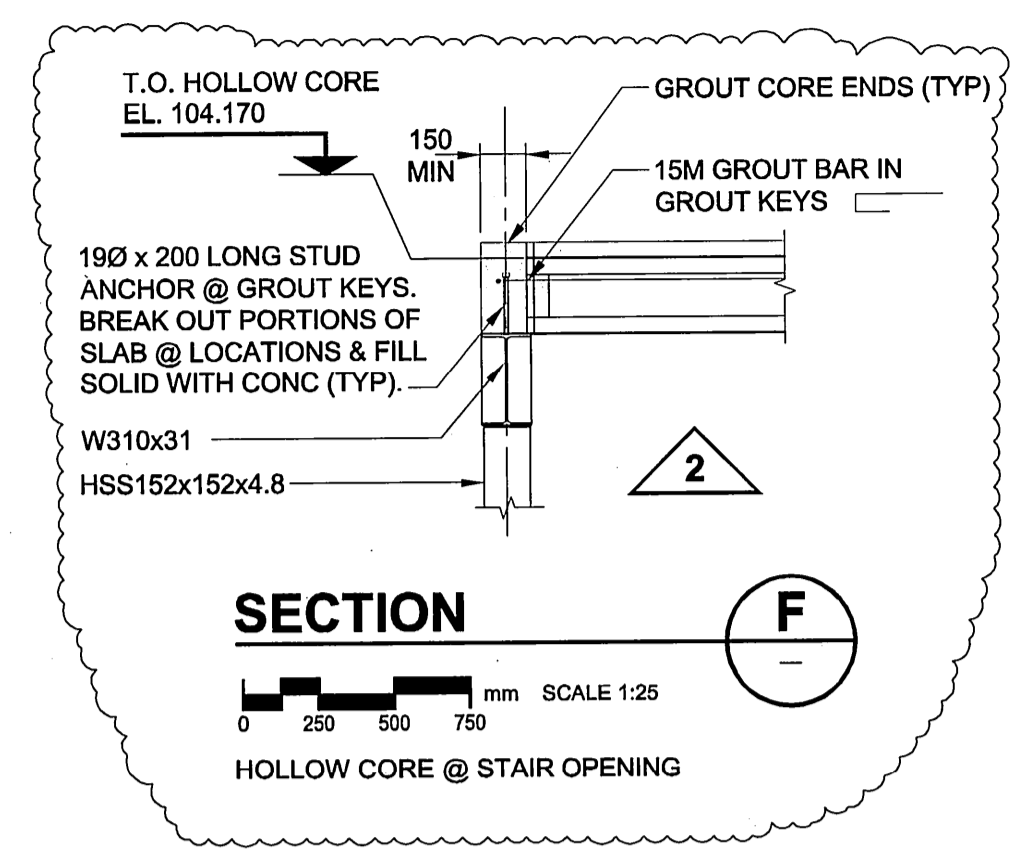
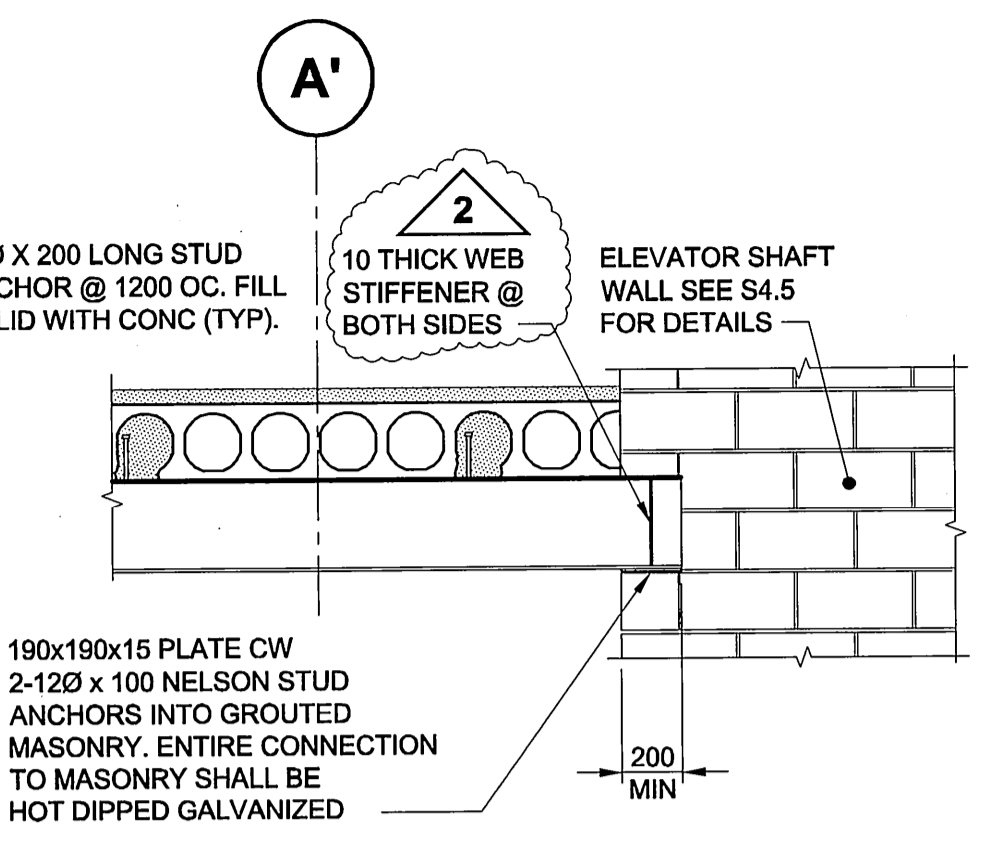
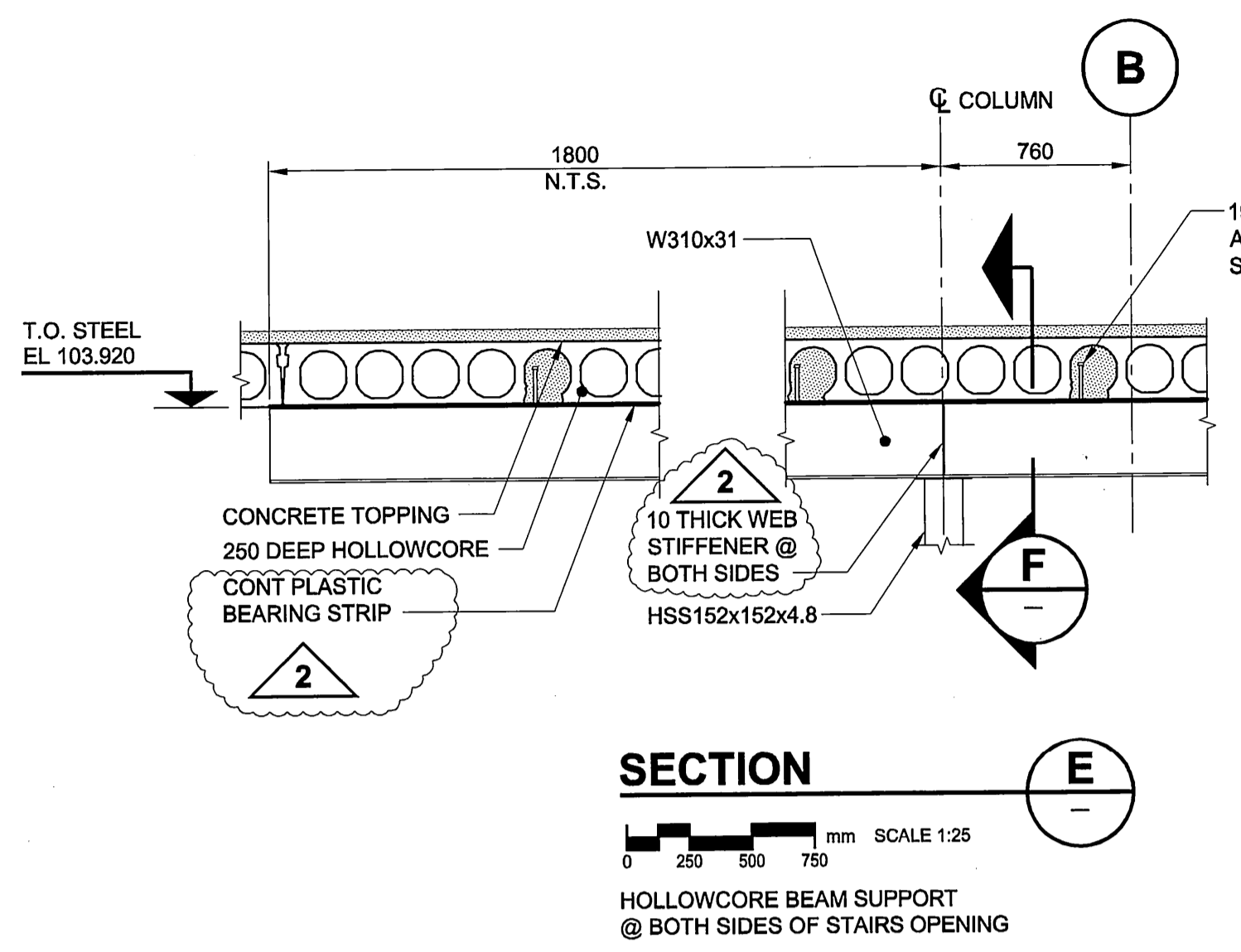
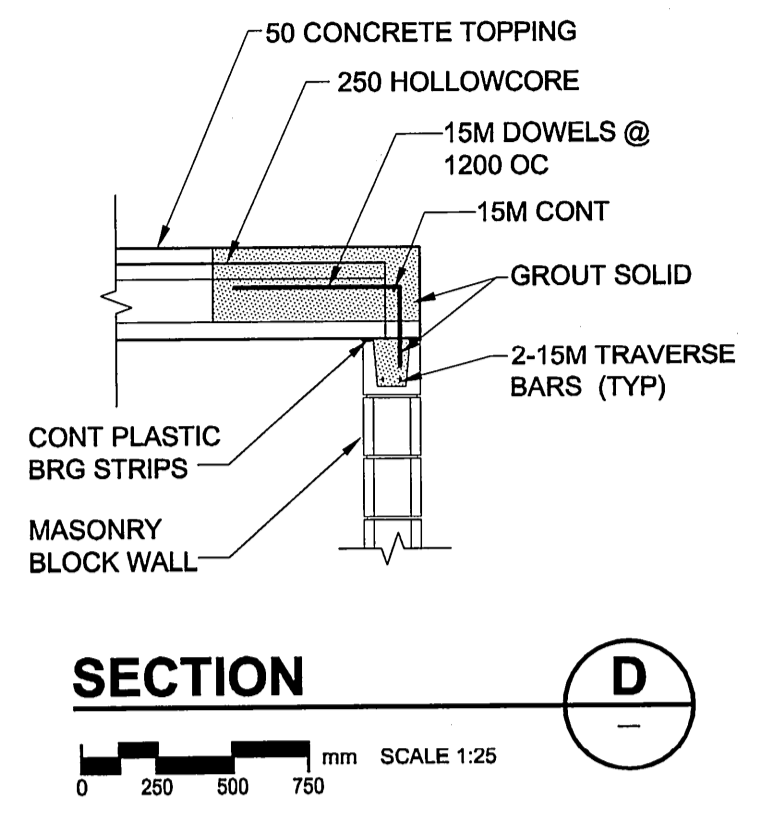
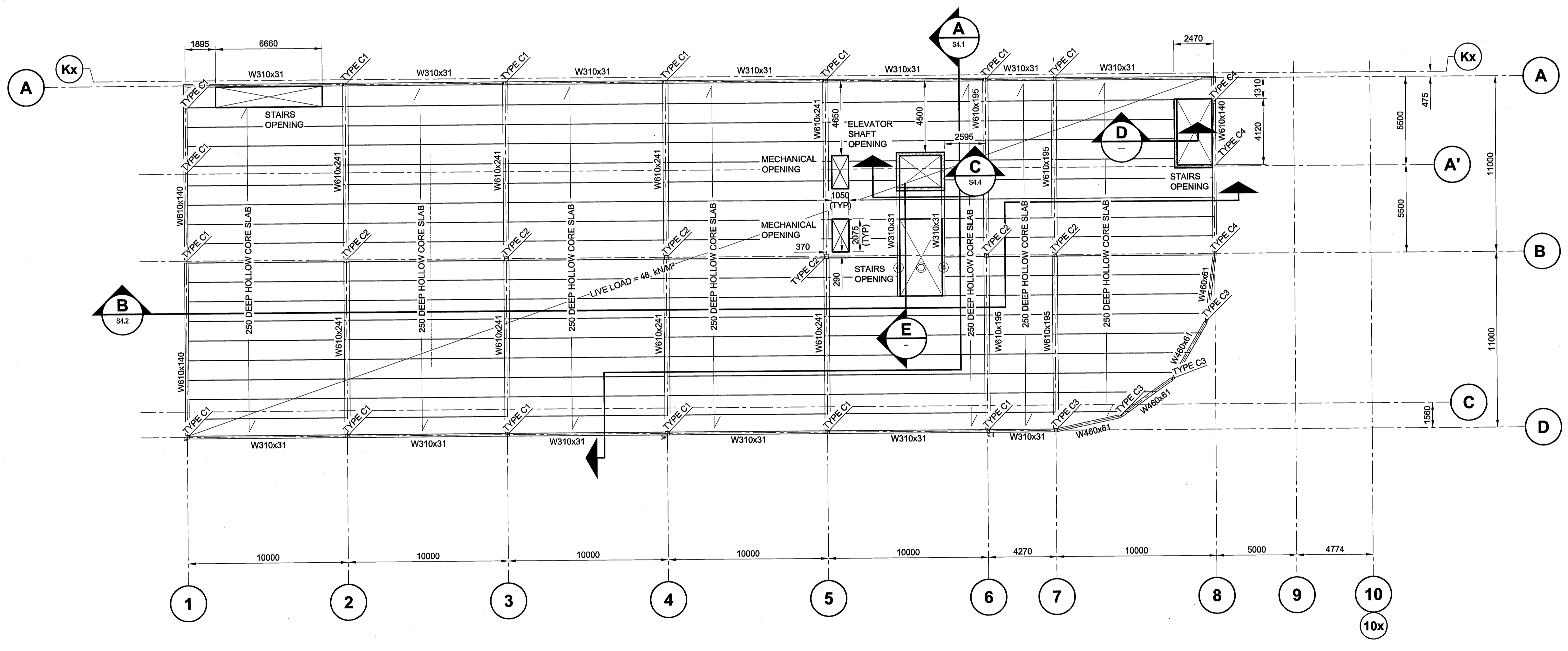


UMA FILE NAME: F963-001-01_15-2004_RX.dwg
 DATE: 2007.07.23
 FILE NAME: F963-001-01_15-2004_RX.dwg
 DESCRIPTION: Second Floor Framing Plan
 PROJECT No: F963-001-01
 PLOT: 07/08/21 9:32:59 AM
 ADDRESS: 999 Sargent St. Winnipeg, Manitoba



NOTE:
 USE HOLLOWCORE HANGER FOR STAIRS AND MECHANICAL OPENINGS.
 HOLLOWCORE SUPPLIER TO DETERMINE HOLLOWCORE HANGER MEMBER SIZE AT OPENINGS.
 SEE ARCHITECTURAL TO LOCATE MECHANICAL AND STAIR OPENINGS AND DIMENSIONS.



SECOND FLOOR FRAMING PLAN
 SCALE 1:150

DESIGN LOADS:
 LIVE LOAD = 4.8 kN/M²
 DEAD LOAD = 6.7 kN/M²
 TOTAL LOAD = 11.5 kN/M²

UMA | AECOM

© 2007 UMA ENGINEERING LTD. ALL RIGHTS RESERVED.

APEGM
 Certificate of Authorization
 UMA Engineering Ltd. (MB)
 No. 256 Date: Aug 21, 2007

DRN CHK DES ENG IDR
 UMA | AECOM REVIEW

NO.	REVISION/DESCRIPTION	BY	DATE
2	ISSUED FOR ADDENDUM #2	MP	07/08/21
1	ISSUED FOR ADDENDUM #1	MP	07/08/10
0	ISSUED FOR TENDER	MP	07/07/23



DRAWN BY: MP
 CHECKED BY: USER APPROVAL
 DATE: 2007.02.21

CITY OF WINNIPEG
 PLANNING, PROPERTY & DEVELOPMENT DEPARTMENT
 CIVIC ACCOMMODATIONS DIVISION
 300 - 65 GARRY ST. R3C 4K4

PROJECT
 Construction of Cindy Klassen
 Recreation Complex Facility
 Enhancement Project
 999 Sargent St. Winnipeg, Manitoba

SHEET TITLE
 Structural
 Second Floor Framing
 Plan and Layout

SCALE	PROJECT NO.	SHEET NO.
AS NOTED	2005-059	S2.4

DRAWING SHEET SIZE: A1 (841mm x 594mm) PLOT 1:1