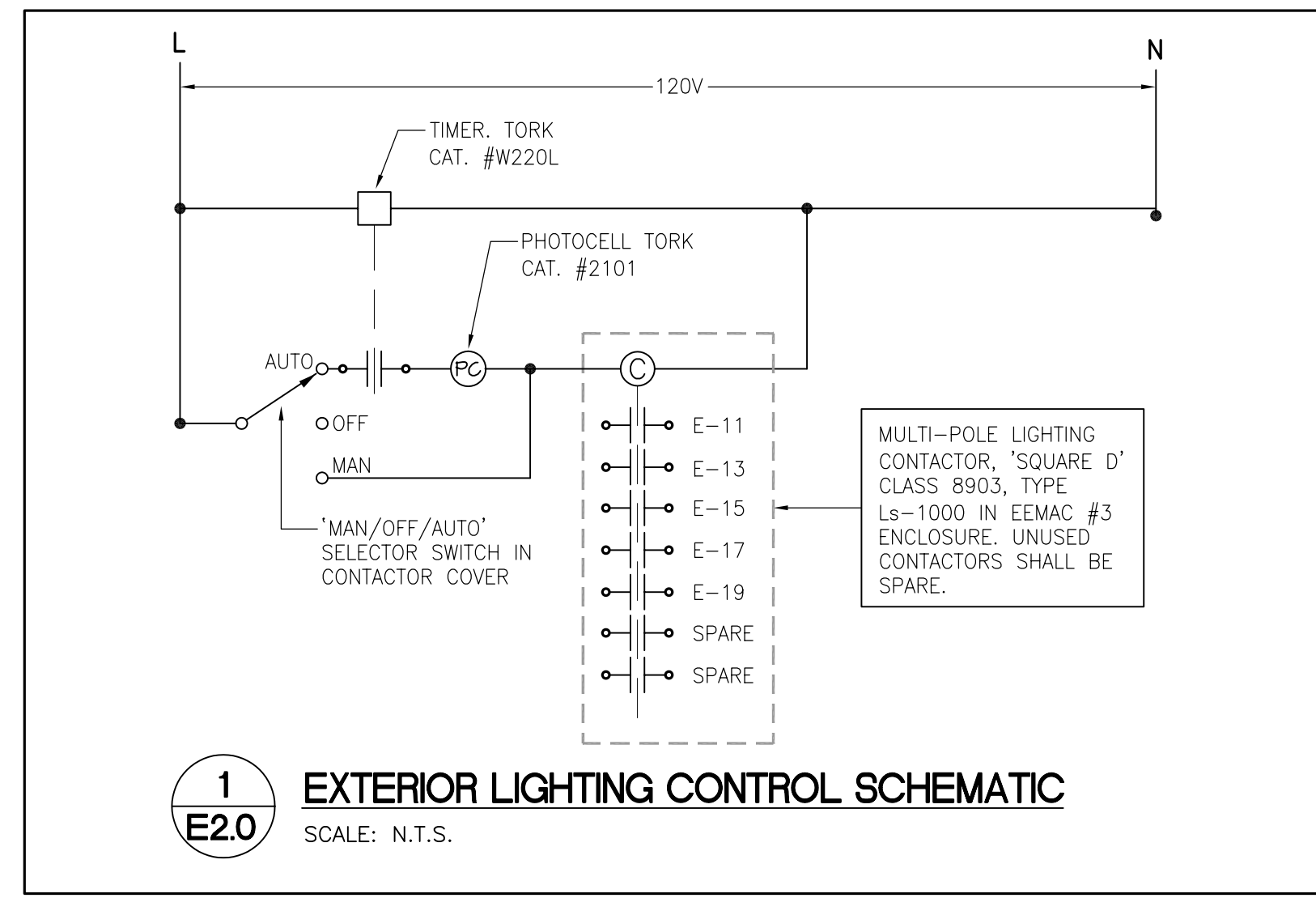
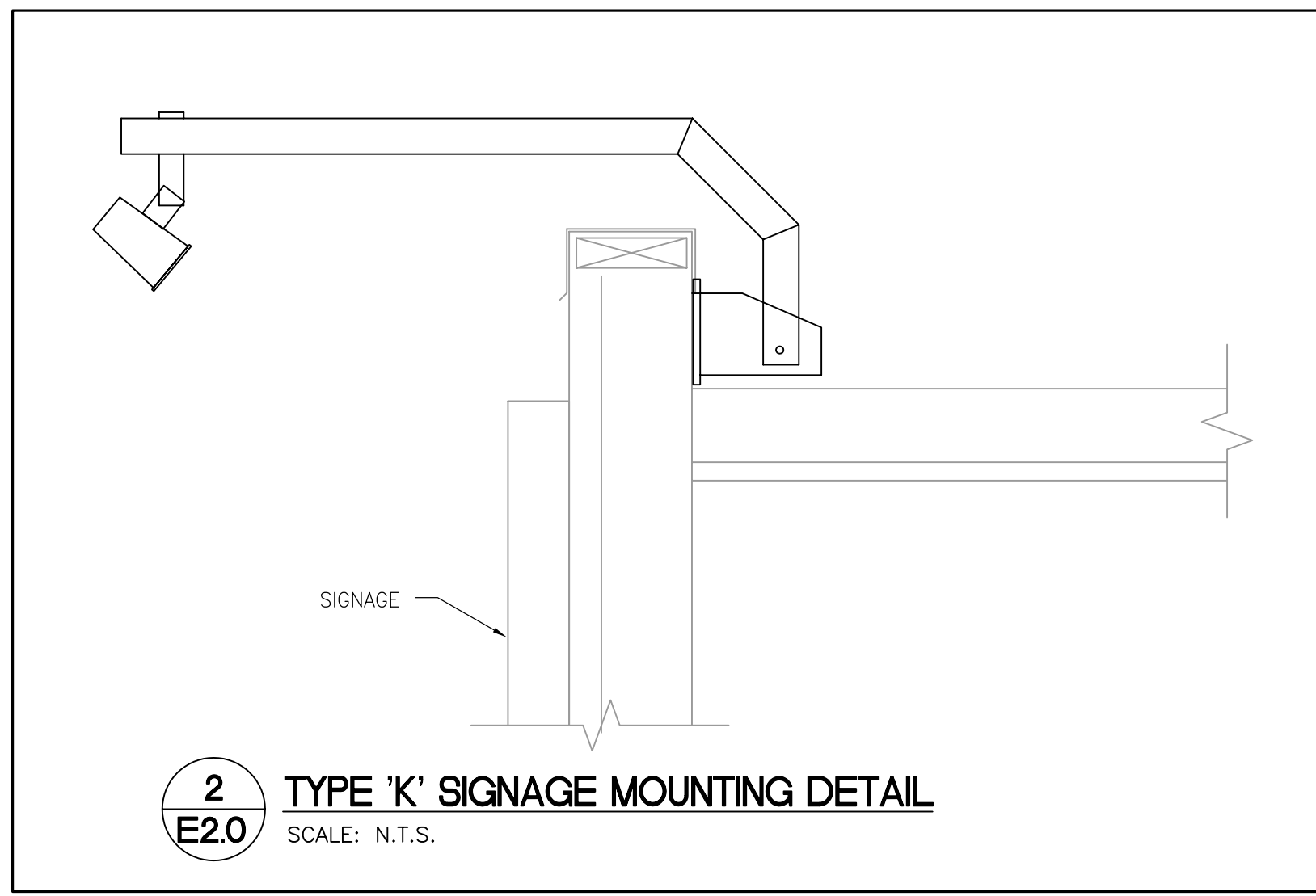


- ### DRAWING NOTES:
- 1 ALL TYPE 'R' FIXTURES ARE RELOCATED EXISTING FIXTURES. MAKE ALL PROVISIONS TO REPLACE BURNT OUT LAMPS AND PROVIDE TRIM KIT FOR DRYWALL CEILING INSTALLATION.
  - 2 WIRE AND CONNECT EMERGENCY/NIGHT LIGHTS TO EXISTING EMERGENCY CIRCUITS. TYPICAL.
  - 3 PROVIDE SEPARATE NEUTRAL FOR ALL LIGHTING CIRCUITS.
  - 4 EXISTING LIGHTS TO REMAIN IN THESE AREAS.
  - 5 COORDINATE ALL LIGHTING INSTALLATION WITH MECHANICAL EQUIPMENT AND DUCTS PRIOR TO ROUGH IN.

- ### GENERAL NOTES
1. THE ELECTRICAL SUBCONTRACTOR (E.S.) IS TO TRACE ALL LIGHTING CIRCUITS, AND WIRING IN ORDER TO PROVIDE COMPLETE DEMOLITION OR RELOCATION. THE E.S. IS TO IDENTIFY AND RE-USE CIRCUITS FOR NEW LIGHTING FIXTURES WHEREVER POSSIBLE, PROVIDED THAT THE DESIGN INTENT IS KEPT. CONFIRM EXACT CIRCUITING/CIRCUIT NUMBERS FOR LIGHTING ON SITE. CIRCUITS SHOWN ON THE DRAWINGS ARE TO ILLUSTRATE THE DESIGN INTENT ONLY. THE E.S. IS TO EXAMINE THE ARCHITECTURAL AND MECHANICAL DRAWINGS ORDER TO DETERMINE FULL SCOPE OF WORK.
  2. ALL EXISTING LIGHT FIXTURES REQUIRING DISCONNECTION OR RELOCATION TO FACILITATE DEMOLITION SHALL BE RECONNECTED/RELOCATED AS REQUIRED, AND RETURNED TO FULLY OPERATIONAL CONDITION.
  3. THE E.S. IS TO SITE CONFIRM ALL EXISTING LIGHTING SYSTEM THAT REQUIRE DEMOLITION OR RELOCATION IN ORDER TO ACCOMMODATE THE BUILDING RENOVATIONS (AS SHOWN ON THE NEW PLAN). THIS DRAWING MAY NOT SHOW ALL DEVICES WHICH REQUIRE DEMOLITION.
  4. CLEAN, RE-LAMP AND REFURBISH ALL LUMINARIES THAT ARE RELOCATED.
  5. RE-USE EXISTING LIGHTING CONTROL SYSTEM WHEREVER POSSIBLE OR PROVIDE NEW AS SHOWN ON DRAWINGS. INCLUDE IN THE CONTRACT ALL COSTS ASSOCIATED WITH THE COMPLETE LIGHTING REVISIONS, INCLUDING TESTING, COMMISSIONING, AND ANY SUB COMPONENTS REQUIRED FOR A COMPLETE AND WORKING SYSTEM.
  6. THE E.S. IS TO UPDATE ALL ELECTRICAL PANEL & LIGHTING SCHEDULES AFFECTED IN ANY WAY BY THE WORK PERFORMED (MUST BE TYPED). PARTIAL TYPED PORTIONS IS NOT ACCEPTABLE. THE E.C. IS TO PROVIDE A FULL AND COMPLETE SCHEDULE FOR THE ENTIRE DIRECTORY.
  7. ALL COVER PLATES ARE TO BE STAINLESS STEEL.
  8. PROVIDE SEPARATE DEDICATED NEUTRAL FOR ALL DIMMER CIRCUITS. ALL DIMMERS TO BE 1000V RATED, LUTRON NOVA T.
  9. PROVIDE A COMPLETE 'AS BUILT' DRAWING OF ENTIRE WORK AREA UPON PROJECT COMPLETION. 'AS BUILT' SHALL HAVE ALL EXISTING DEVICES TO REMAIN, ALL CIRCUIT NUMBERS, AND ALL RELOCATED DEVICES SHOWN THEREIN.
  10. THE E.S. SHALL SITE CONFIRM AND COUNT THE NUMBER OF FIXTURES THAT MAY BE RE-USED AND SHALL PROVIDE NEW FIXTURES AS REQUIRED TO MATCH THE EXISTING IN ORDER TO PROVIDE FIXTURES AS SHOWN ON THIS DRAWING. WHERE THERE IS AN EXCESS QUANTITY OF FIXTURE, TURN OVER TO THE CITY OF WINNIPEG.

**MAIN FLOOR PLAN**  
SCALE: 3/16"=1'-0"



NO.	REVISION	DATE	BY
4	ADDENDUM NO. 1	01/14/08	TT
3	RE-ISSUED FOR BID OPPORTUNITY	12/05/07	TT
2	ISSUED FOR BID OPPORTUNITY	11/27/07	TT
1	ISSUED FOR FINAL REVIEW	10/12/07	TT
0	ISSUED FOR REVIEW	04/30/07	TT

THIS DRAWING IS THE EXCLUSIVE PROPERTY OF THE CONTRACT ADMINISTRATOR AND CAN BE REPRODUCED ONLY WITH THE PERMISSION OF THE CONTRACT ADMINISTRATOR IN WHICH CASE THE REPRODUCTION MUST BEAR THE NAME OF THE CONTRACT ADMINISTRATOR.

THIS DRAWING SHALL NOT BE SCALED. FOLLOW GIVEN DIMENSIONS ONLY.

THE CONTRACTOR SHALL SATISFY HIMSELF THAT ALL DIMENSIONS AND INFORMATION SHOWN ARE CORRECT.

PRIOR TO COMMENCEMENT OF WORK REPORT ANY DISCREPANCIES TO THE CONTRACT ADMINISTRATOR.

VARIATIONS AND MODIFICATIONS TO WORK SHOWN WILL NOT BE ALLOWED WITHOUT WRITTEN PERMISSION OF THE CONTRACT ADMINISTRATOR.

CONSULTANT

**TOWER ENGINEERING GROUP**

TOWER PROJECT NO. : 6184

208 - 887 CORYDON AVE. WINNIPEG, MB R3M 0W7  
TEL: (204) 925-1150 FAX: (204) 925-1155  
EMAIL: towereng@towereng.ca WEB: www.towereng.ca

**APEGM**

Certificate of Authorization  
Tower Engineering Group  
No. 1918 Expiry: April 30, 2008

**CALNITSKY ASSOCIATES ARCHITECTS**

ARCHITECTURE | INTERIOR DESIGN  
124 Nassau Street North | Winnipeg, Manitoba R3L 2H1  
Tel: (204) 453-6441 | Fax: (204) 453-3392  
E-mail: caa@escape.ca

PROJECT TITLE

**NOTRE DAME COMMUNITY CENTRE**

227 DELACROIX BLVD  
WINNIPEG, MANITOBA

SHEET TITLE

**ELECTRICAL LIGHTING PLAN**

DRAWN BY	SCALE	SHEET NUMBER
NF	AS NOTED	<b>E-20</b>
CHECKED BY	DATE	
ES	11/27/07	
PROJECT NUMBER	REVISION	
06-012	3	