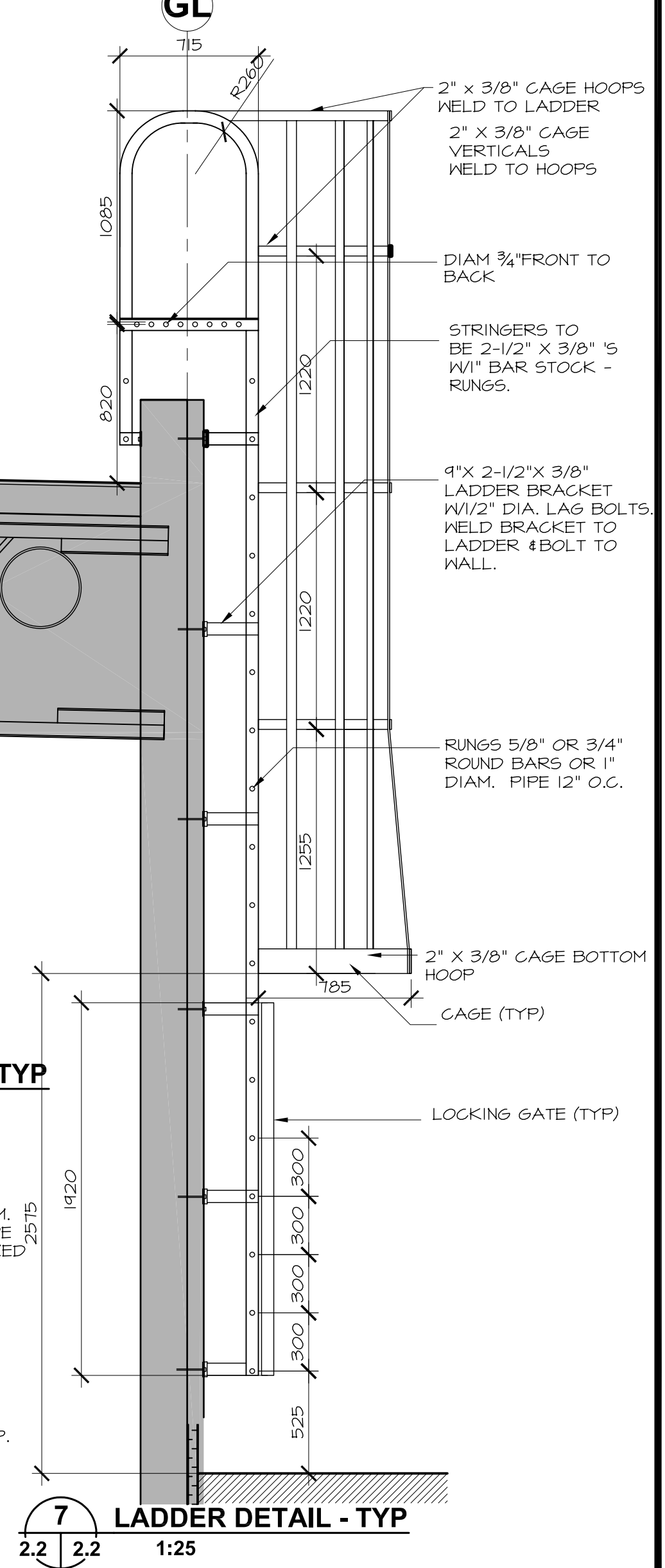
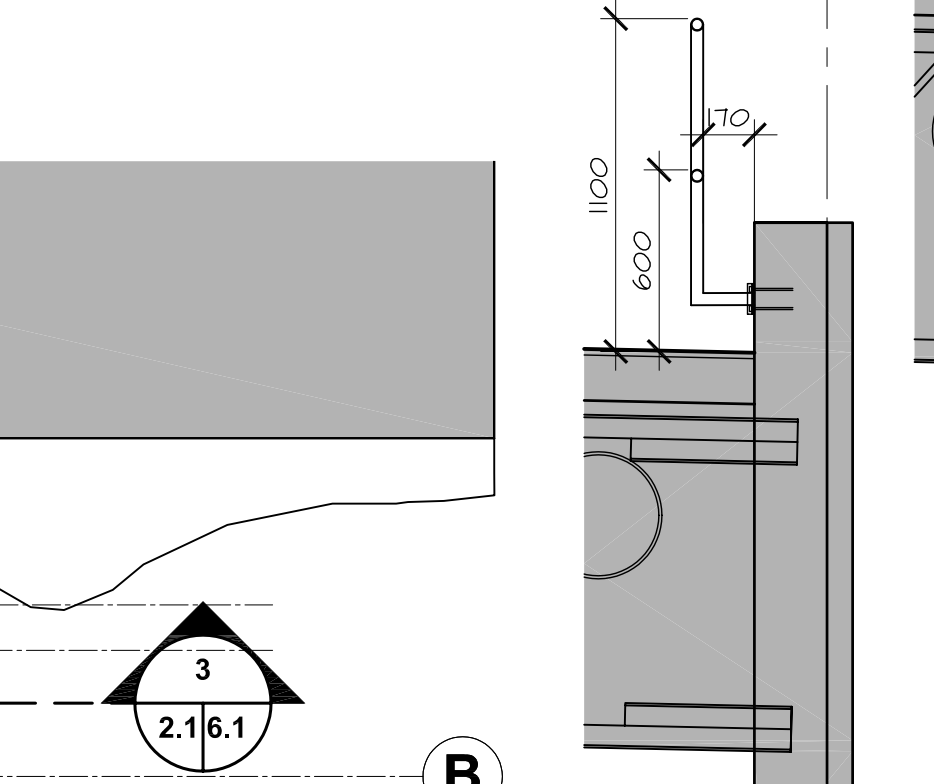
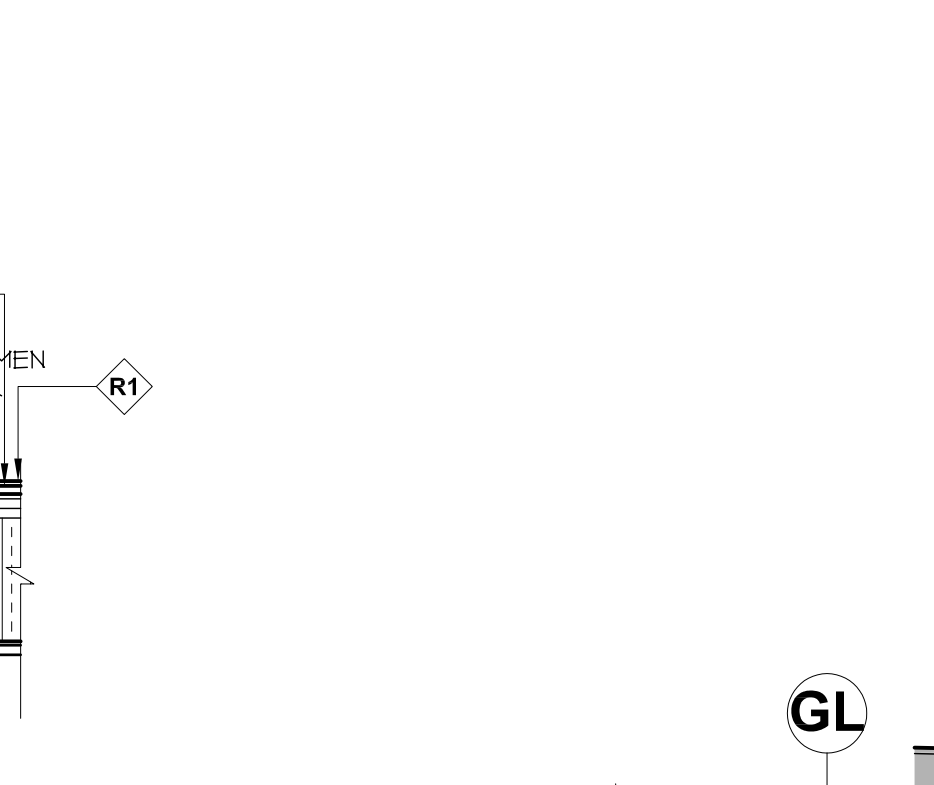
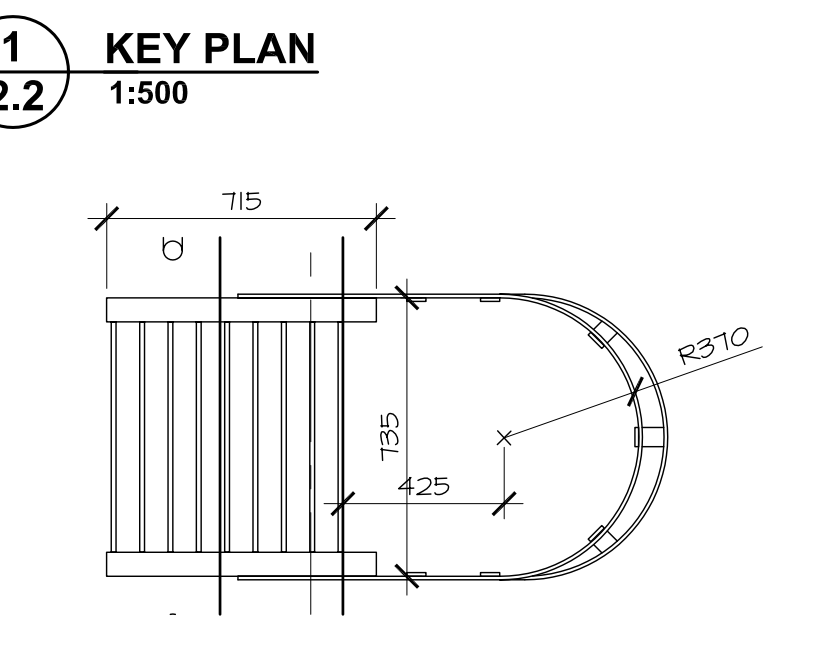
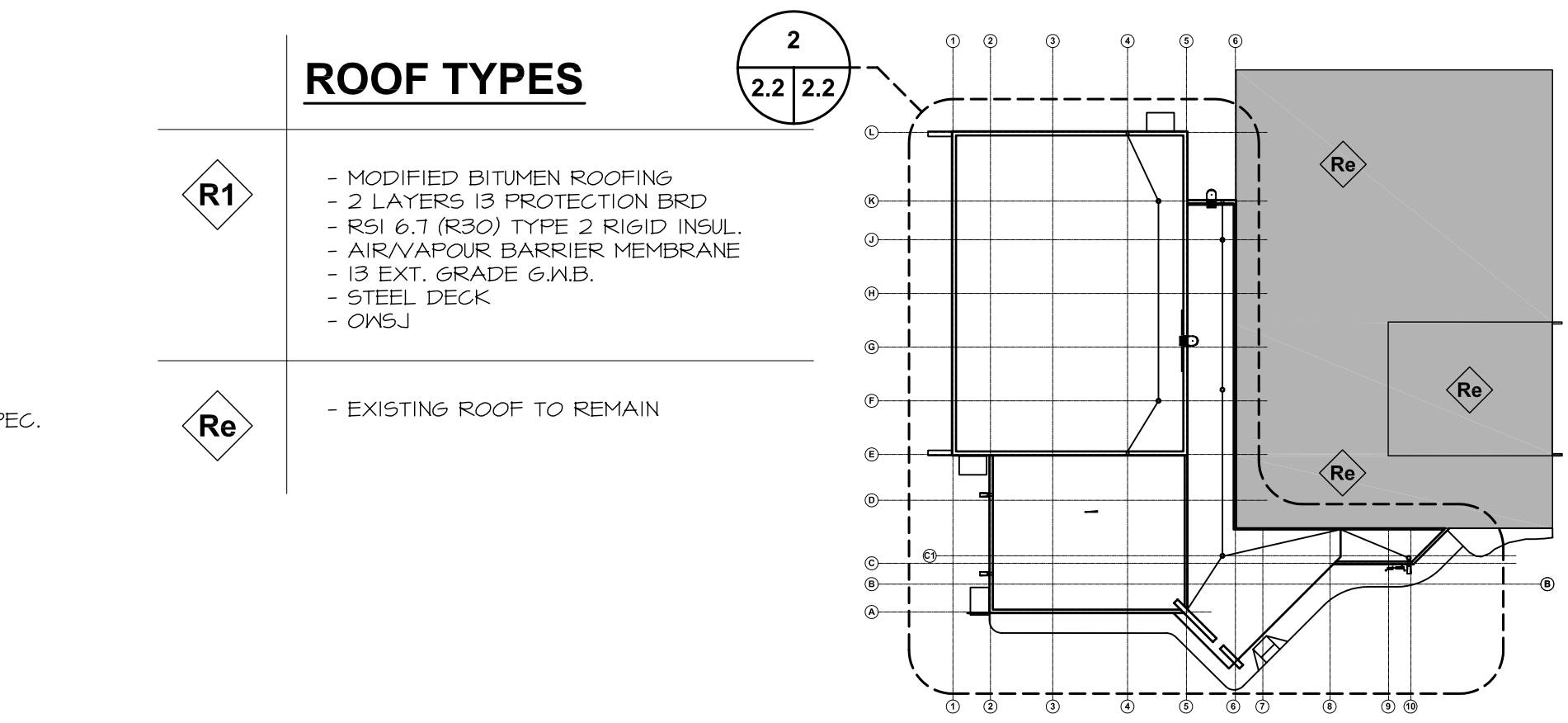
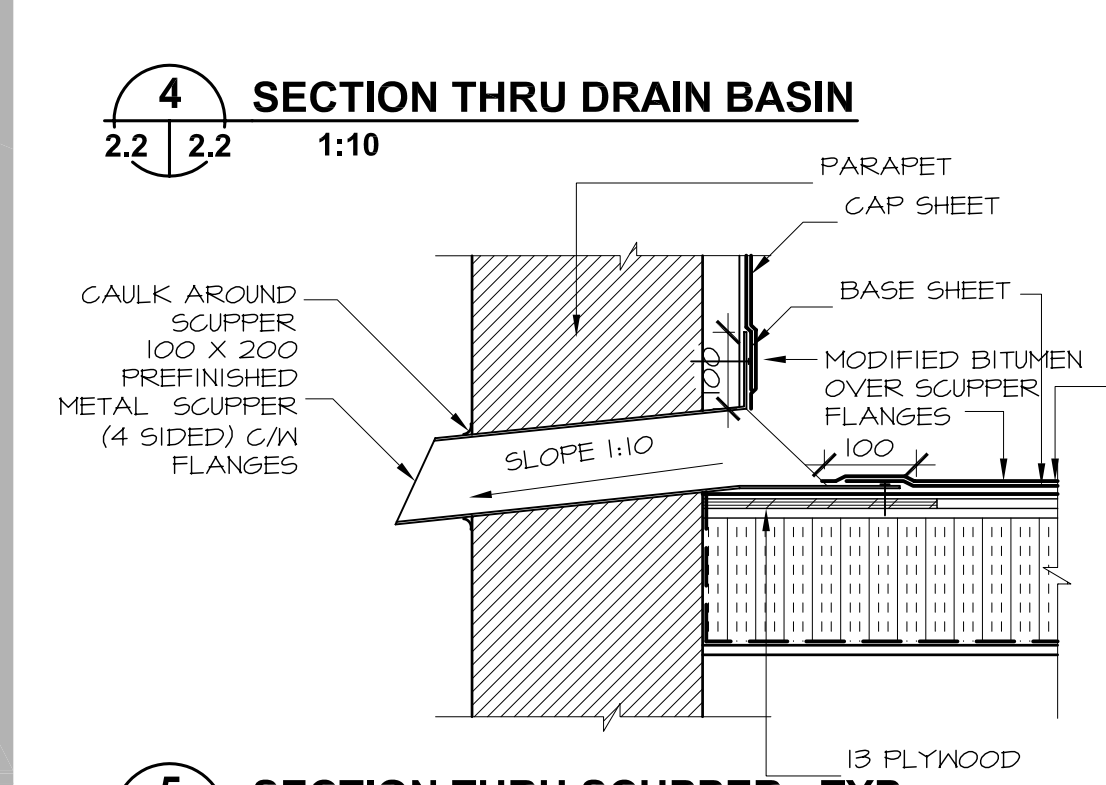
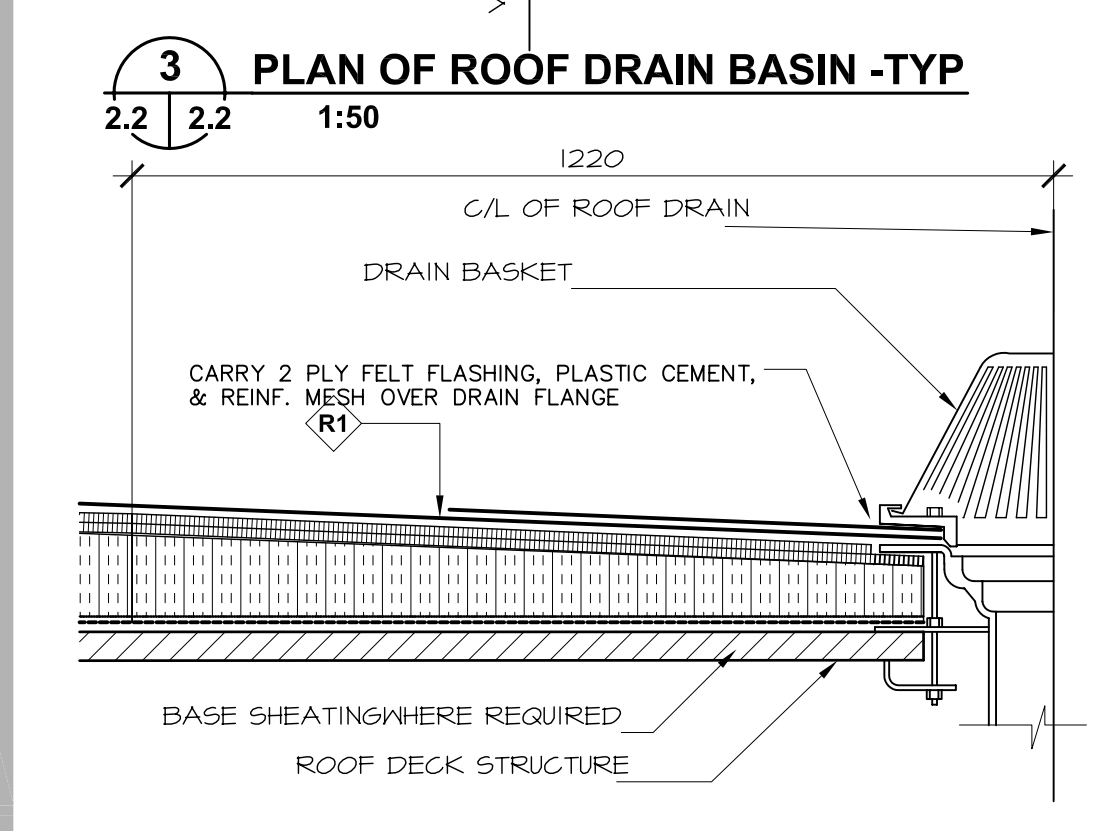
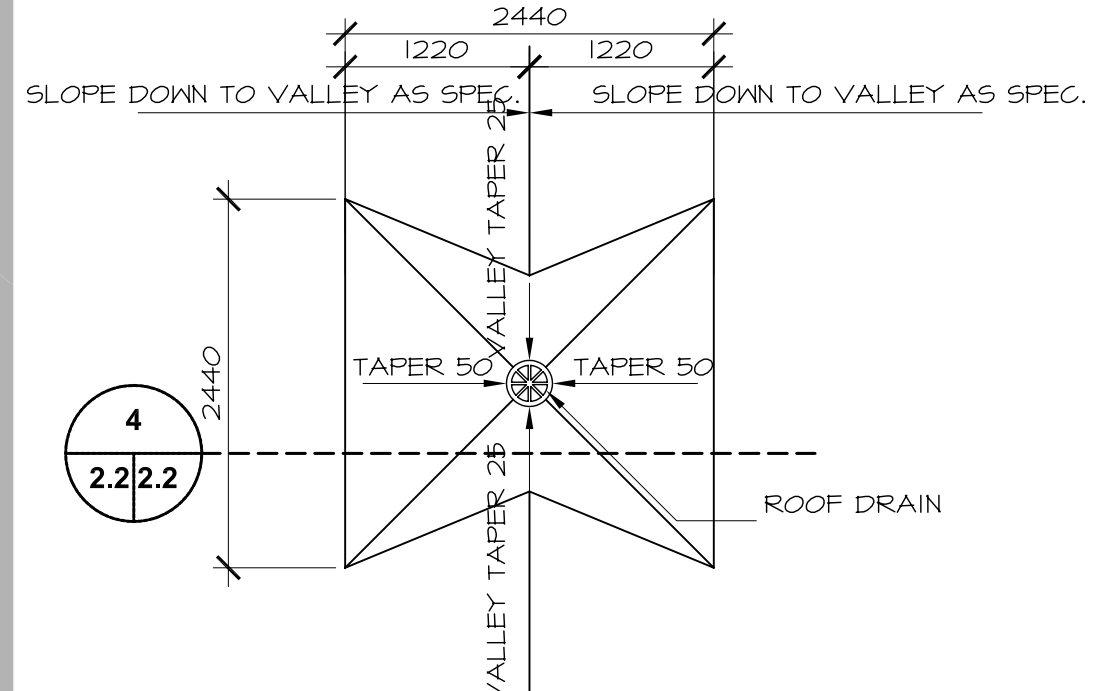


- ROOF TYPES**
- R1** - MODIFIED BITUMEN ROOFING
- 2 LAYERS 13 PROTECTION BRD
- RSI 6.7 (R30) TYPE 2 RIGID INSUL.
- AIR/VAPOR BARRIER MEMBRANE
- 13 EXT. GRADE G.W.B.
- STEEL DECK
- OMSJ
 - Re** - EXISTING ROOF TO REMAIN



NOT TO BE USED FOR CONSTRUCTION (Remove when is final)

NO.	REVISION	DATE	BY
2	ADDENDUM 1	18/04/2008	JS
1	ISSUED FOR TENDER	25/03/2008	JS
0	ISSUED FOR REVIEW	12/03/2008	JS

THIS DRAWING IS THE EXCLUSIVE PROPERTY OF THE ARCHITECT AND CAN BE REPRODUCED ONLY WITH THE PERMISSION OF THE ARCHITECT IN WHICH CASE THE REPRODUCTION MUST BEAR THE NAME OF THE ARCHITECT.
THIS DRAWING SHALL NOT BE SCALED. FOLLOW GIVEN DIMENSIONS ONLY.
THE CONTRACTOR SHALL SATISFY HIMSELF THAT ALL DIMENSIONS AND INFORMATION SHOWN ARE CORRECT.
PRIOR TO COMMENCEMENT OF WORK REPORT ANY DISCREPANCIES TO THE ARCHITECT.
VARIATIONS AND MODIFICATIONS TO WORK SHOWN WILL NOT BE ALLOWED WITHOUT WRITTEN PERMISSION OF THE ARCHITECT.

CONSULTANT

SEAL

ED CALNITSKY
REGISTERED ARCHITECT
16 03 25

CALNITSKY ASSOCIATES ARCHITECTS

ARCHITECTURE | **INTERIOR DESIGN**
124 Nassau Street North | Winnipeg, Manitoba R3L 2H1
Tel: (204) 453-6441 | Fax: (204) 453-3392
E-mail: caa@escape.ca

PROJECT TITLE
NORBERRY GLENLEE COMMUNITY CENTRE EXPANSION
26 Molgat Avenue, Winnipeg, MB
Bid Opportunity No. 931-2007

SHEET TITLE
ROOF PLAN DETAILS

DRAWN BY	SCALE	SHEET NUMBER
JS	AS NOTED	A-2.2
CHECKED BY	DATE	
JS	31/01/2008	
PROJECT NUMBER	REVISION	
06-017	0	