



CEILING TYPES

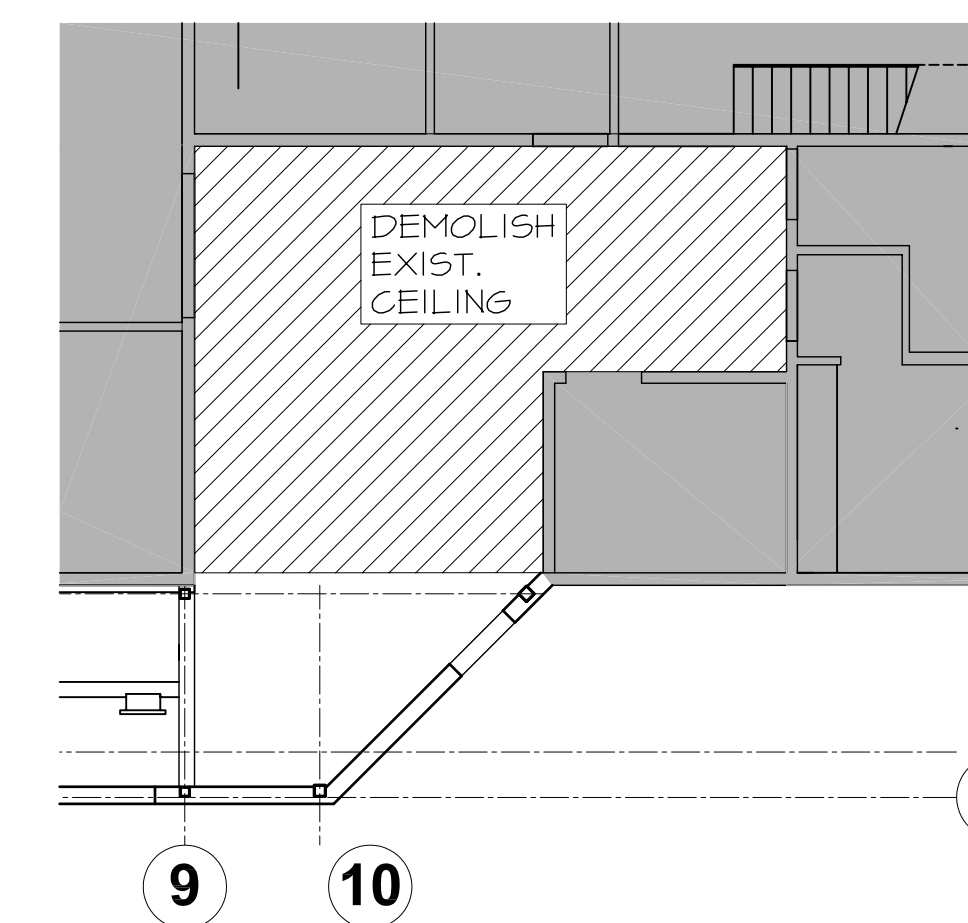
3000 ACT	CEILING HEIGHT CEILING TYPE
3600 ACT	600 X 1200 ACOUSTIC CEILING TILE
3600 GWB	GYPSUM BOARD
VAR. OPEN	VARIABLE CEILING HEIGHT EXPOSED STRUCTURE & INSTALLATIONS
2600 PMS	PRE FINISHED METAL SOFFIT
* ACT	TO MATCH EXISTING CEILING HEIGHT 600 X 1200 ACOUSTIC CEILING TILE

LEGEND

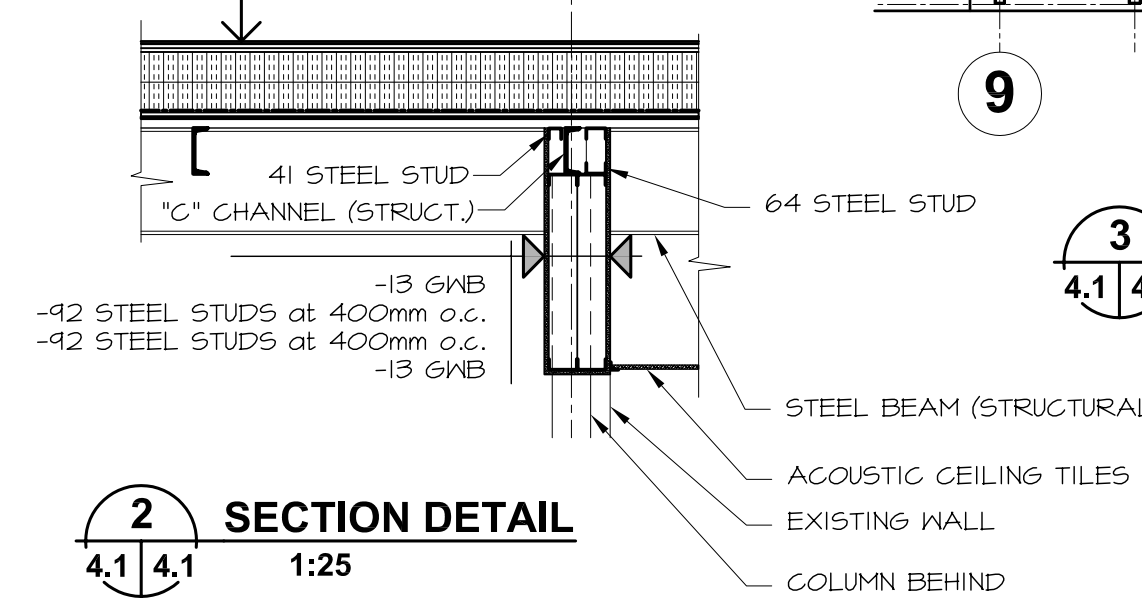
○	POT LIGHT
○	WALL MOUNTED LIGHT
▭	609X1219 FLUORESCENT LIGHT
▭	304X1219 FLUORESCENT LIGHT
⊠	DIFFUSER
⊠	DIFFUSER
⊠	EXHAUST GRILLE

GENERAL COMMENTS

- * H.V.A.C. SYSTEM - REFER TO MECHANICAL DRAWINGS
- ** ELECTRICAL LIGHTS - REFER TO ELECTRICAL DRAWINGS



3 CEILING DEMOLITION PLAN
4.1 | 4.1 1:100



2 SECTION DETAIL
4.1 | 4.1 1:25

NOT TO BE USED FOR CONSTRUCTION
(Remove when is final)

NO.	REVISION	DATE	BY
2	ADDENDUM 1	18/04/2008	JS
1	ISSUED FOR TENDER	25/03/2008	JS
0	99% ISSUED FOR REVIEW	28/02/2008	JS

THIS DRAWING IS THE EXCLUSIVE PROPERTY OF THE ARCHITECT AND CAN BE REPRODUCED ONLY WITH THE PERMISSION OF THE ARCHITECT IN WHICH CASE THE REPRODUCTION MUST BEAR THE NAME OF THE ARCHITECT.

THIS DRAWING SHALL NOT BE SCALED. FOLLOW GIVEN DIMENSIONS ONLY.

THE CONTRACTOR SHALL SATISFY HIMSELF THAT ALL DIMENSIONS AND INFORMATION SHOWN ARE CORRECT.

PRIOR TO COMMENCEMENT OF WORK REPORT ANY DISCREPANCIES TO THE ARCHITECT.

VARIATIONS AND MODIFICATIONS TO WORK SHOWN WILL NOT BE ALLOWED WITHOUT WRITTEN PERMISSION OF THE ARCHITECT.

CONSULTANT

SEAL

CALNITSKY ASSOCIATES ARCHITECTS

ARCHITECTURE | INTERIOR DESIGN
124 Nassau Street North | Winnipeg, Manitoba R3L 2H1
Tel: (204) 453-6441 | Fax: (204) 453-3392
E-mail: caa@escape.ca

PROJECT TITLE
NORBERRY-GLENLEE COMMUNITY CENTRE EXPANSION
26 Molgat Avenue, Winnipeg, MB
Bid Opportunity No. 931-2007

SHEET TITLE
REFLECTED CEILING PLAN

DRAWN BY	SCALE	SHEET NUMBER
MJ/IP	AS NOTED	A-4.1
CHECKED BY	DATE	
JS	15 Feb. 2008	
PROJECT NUMBER	REVISION	
06-017		

1 REFLECTED CEILING PLAN
A4.1 1:100