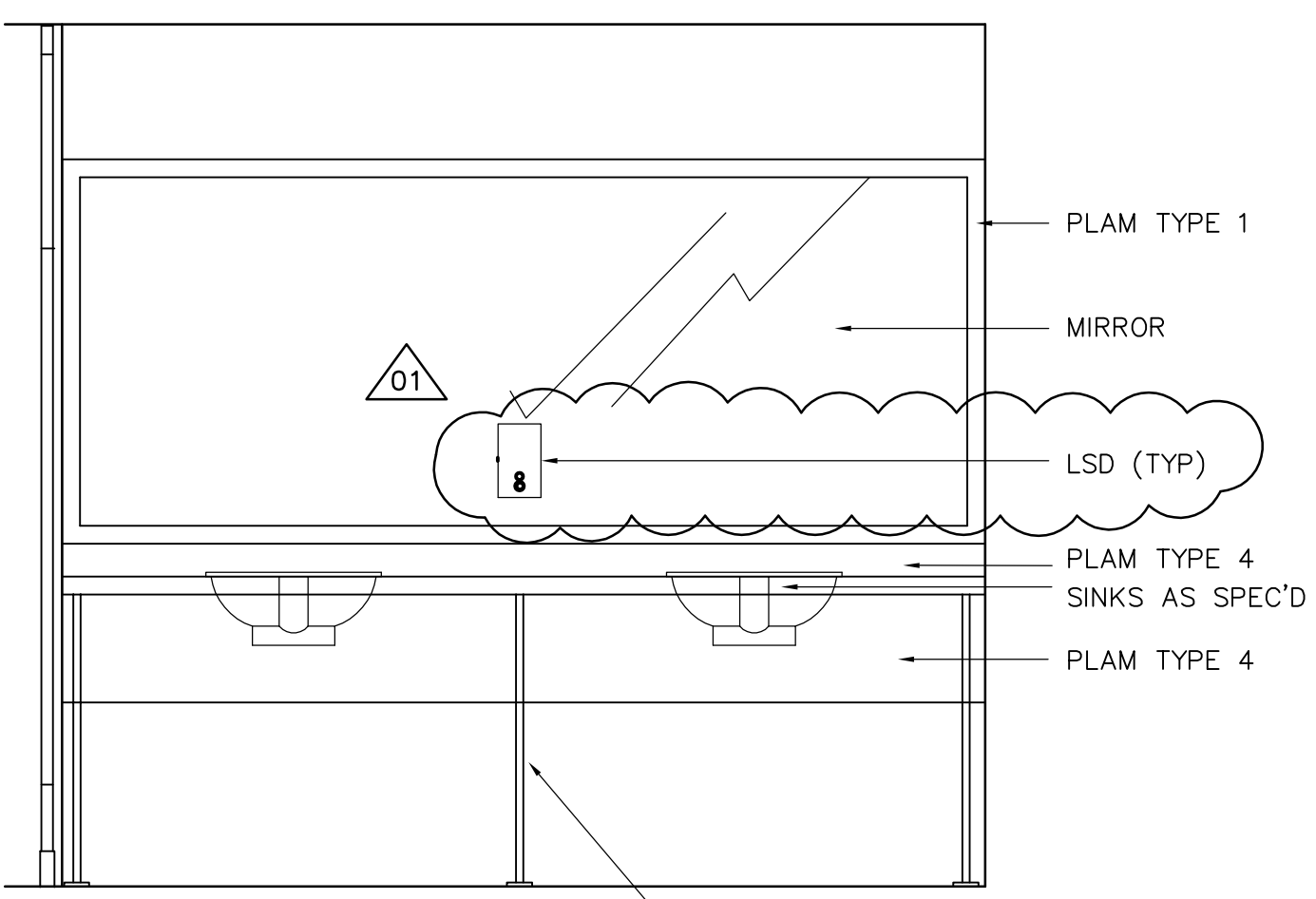
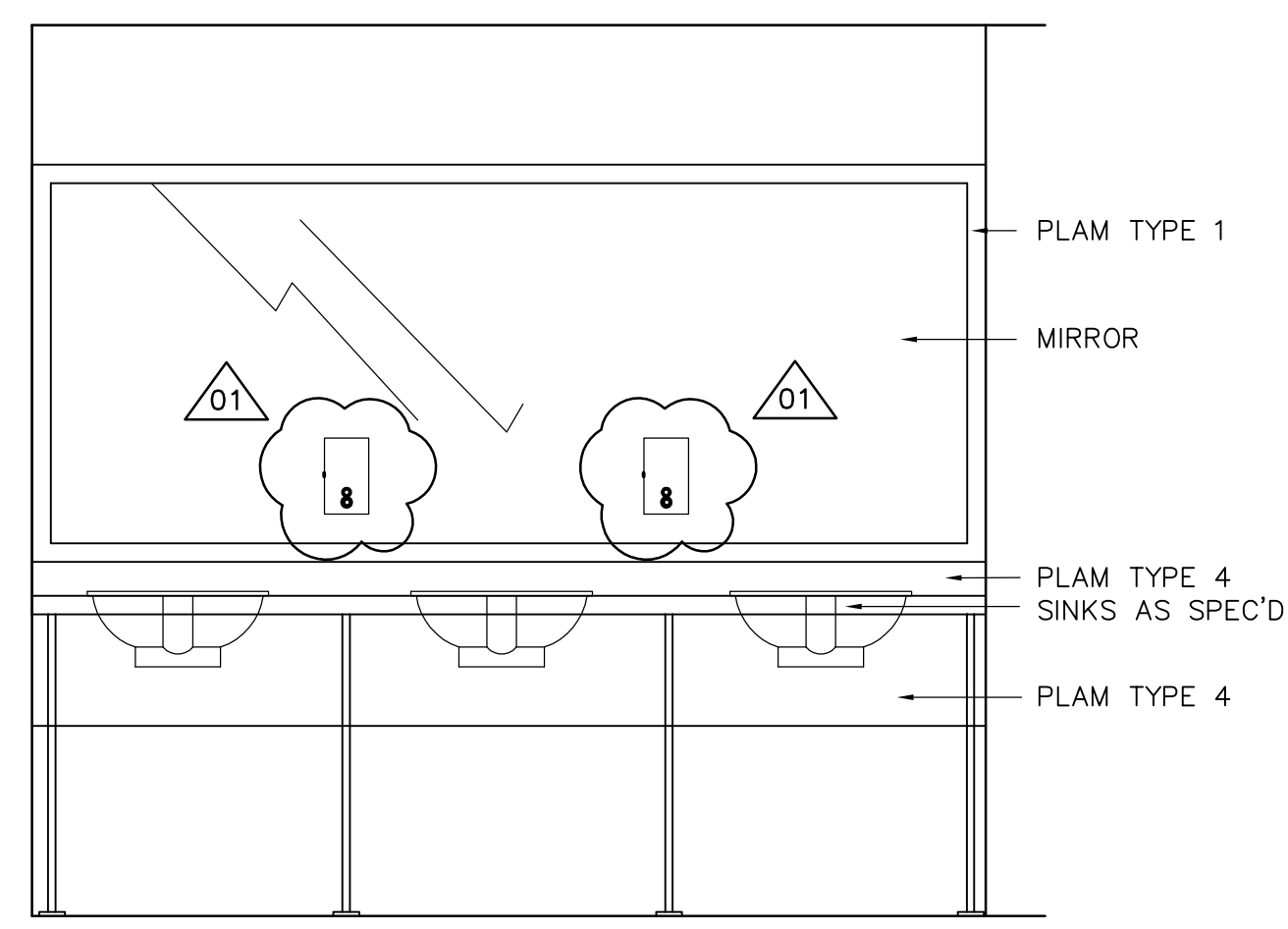


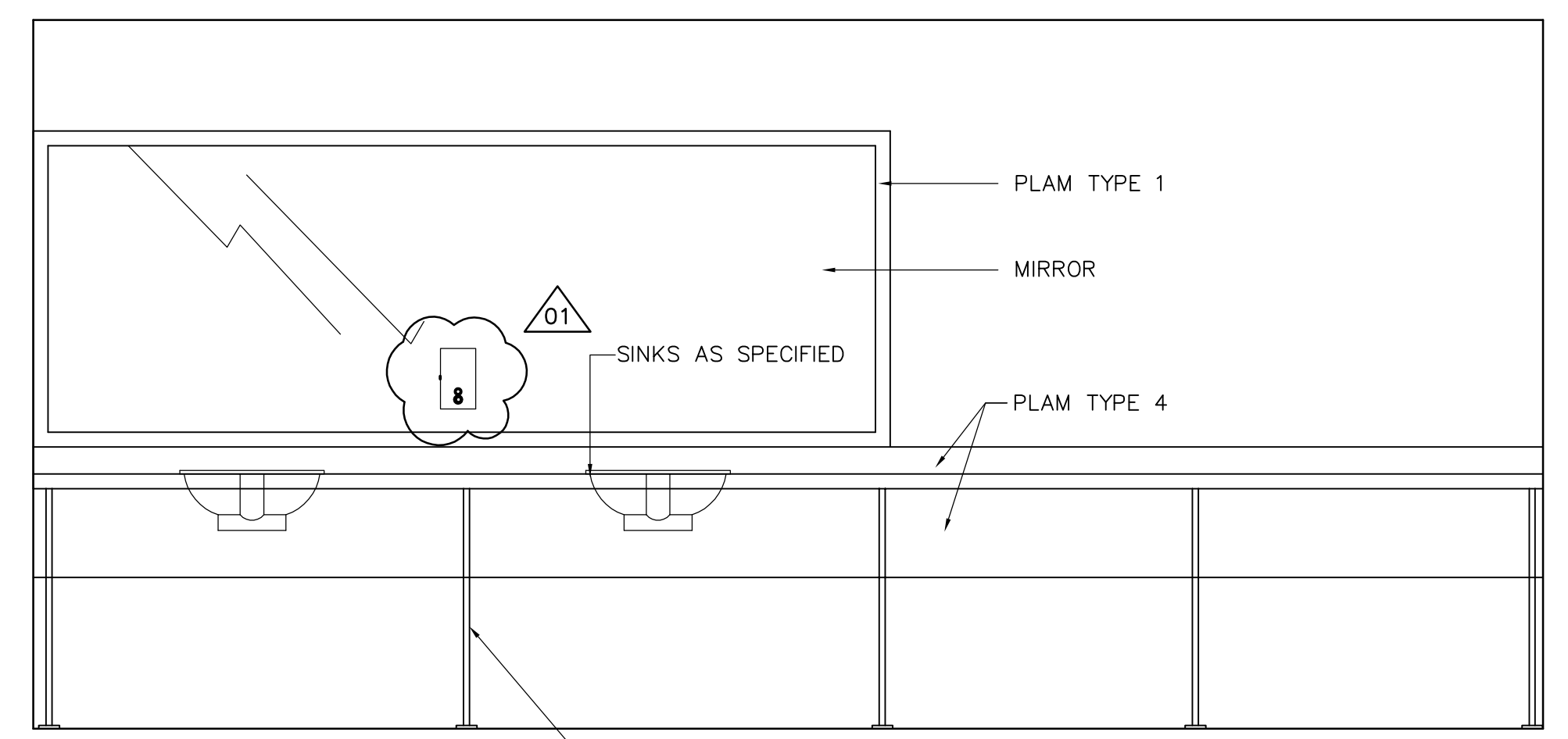
4 WOMEN'S CHANGE RM 329A
WB-B0354 1: 20



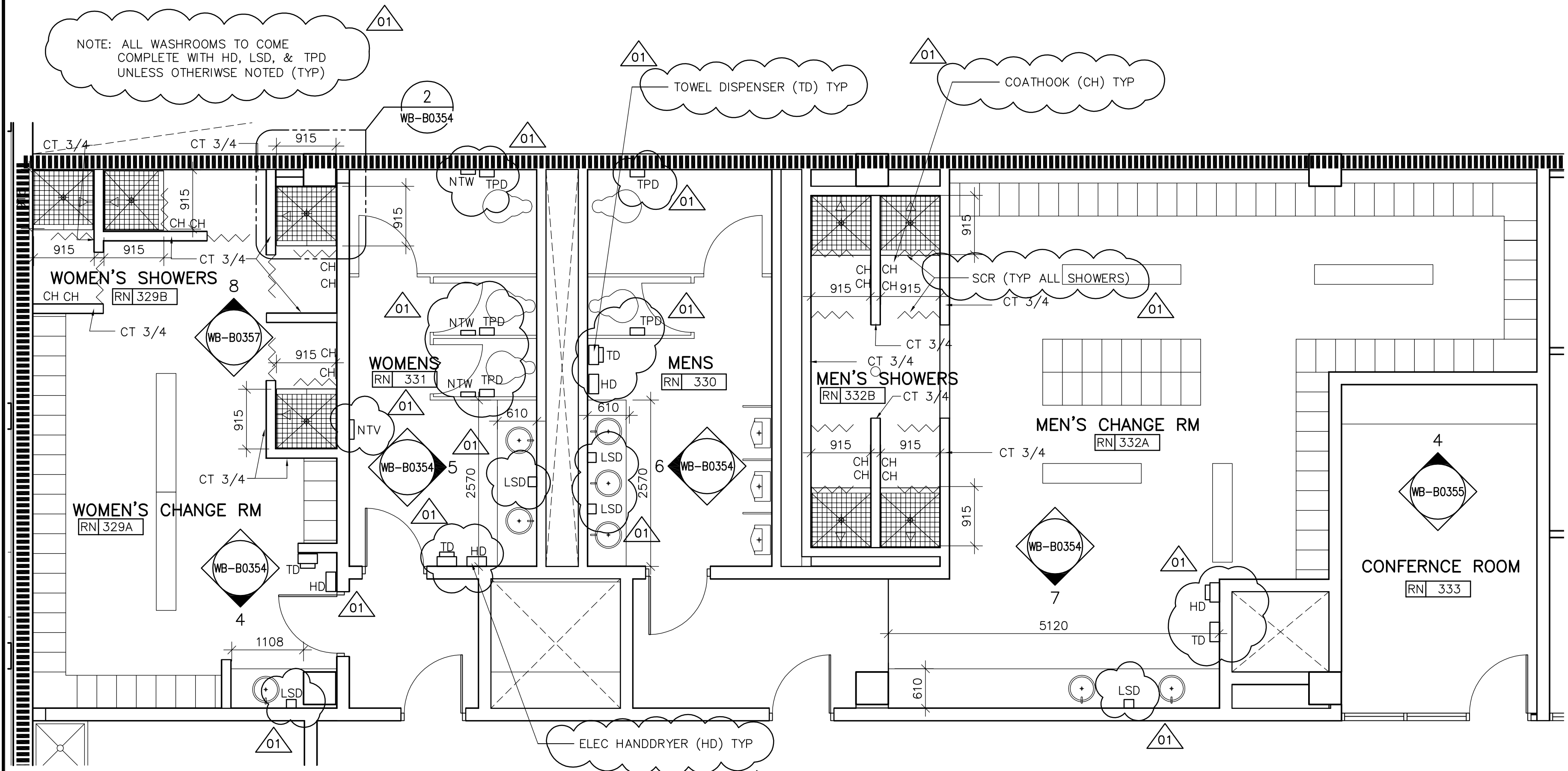
5 WOMEN'S ROOM 331
WB-B0354 1: 20



6 MEN'S ROOM 330
WB-B0354 1: 20

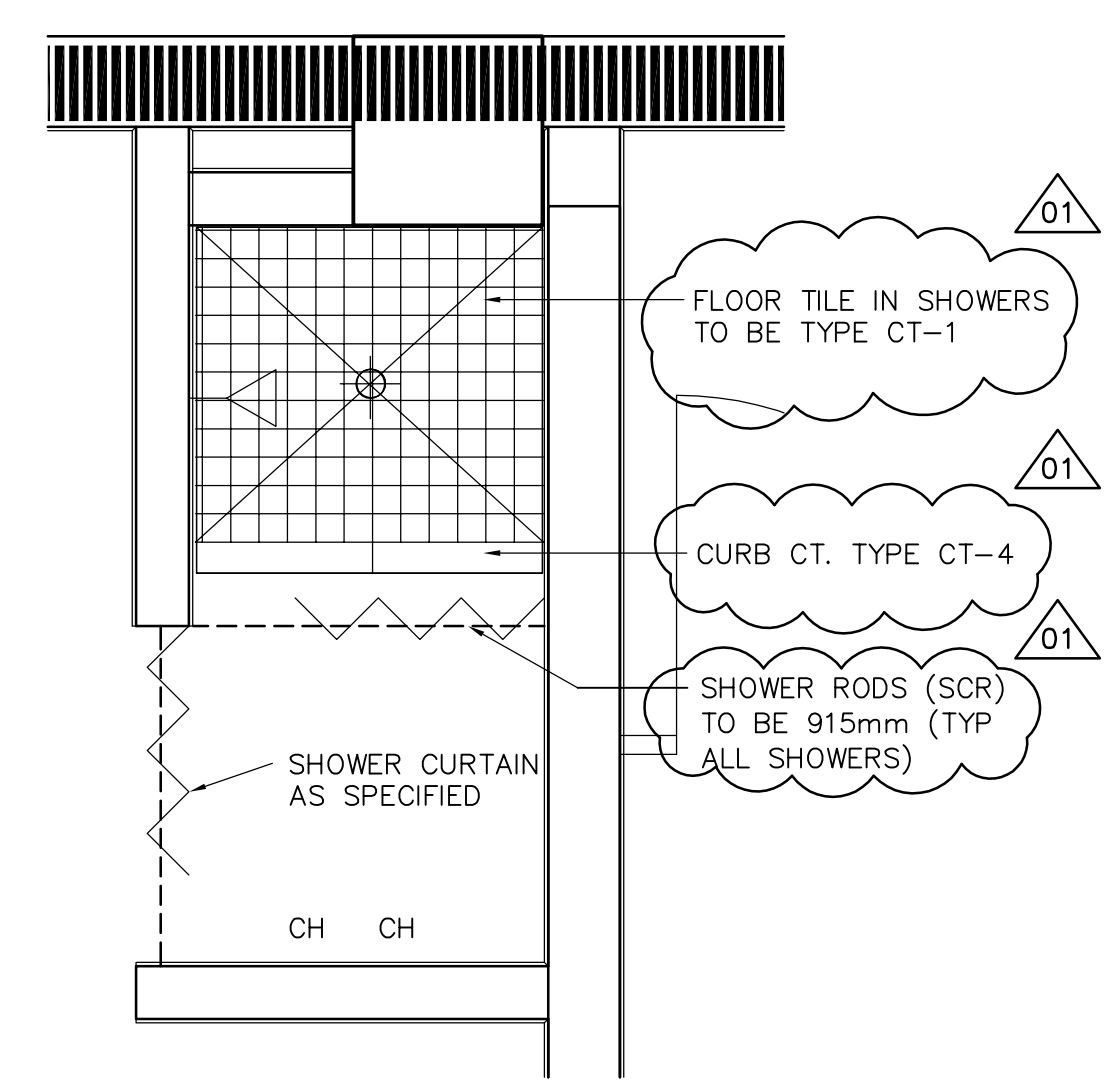
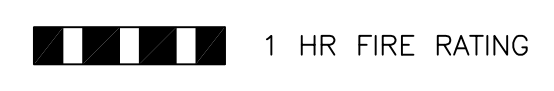


7 MEN'S CHANGE ROOM 332A
WB-B0354 1: 20

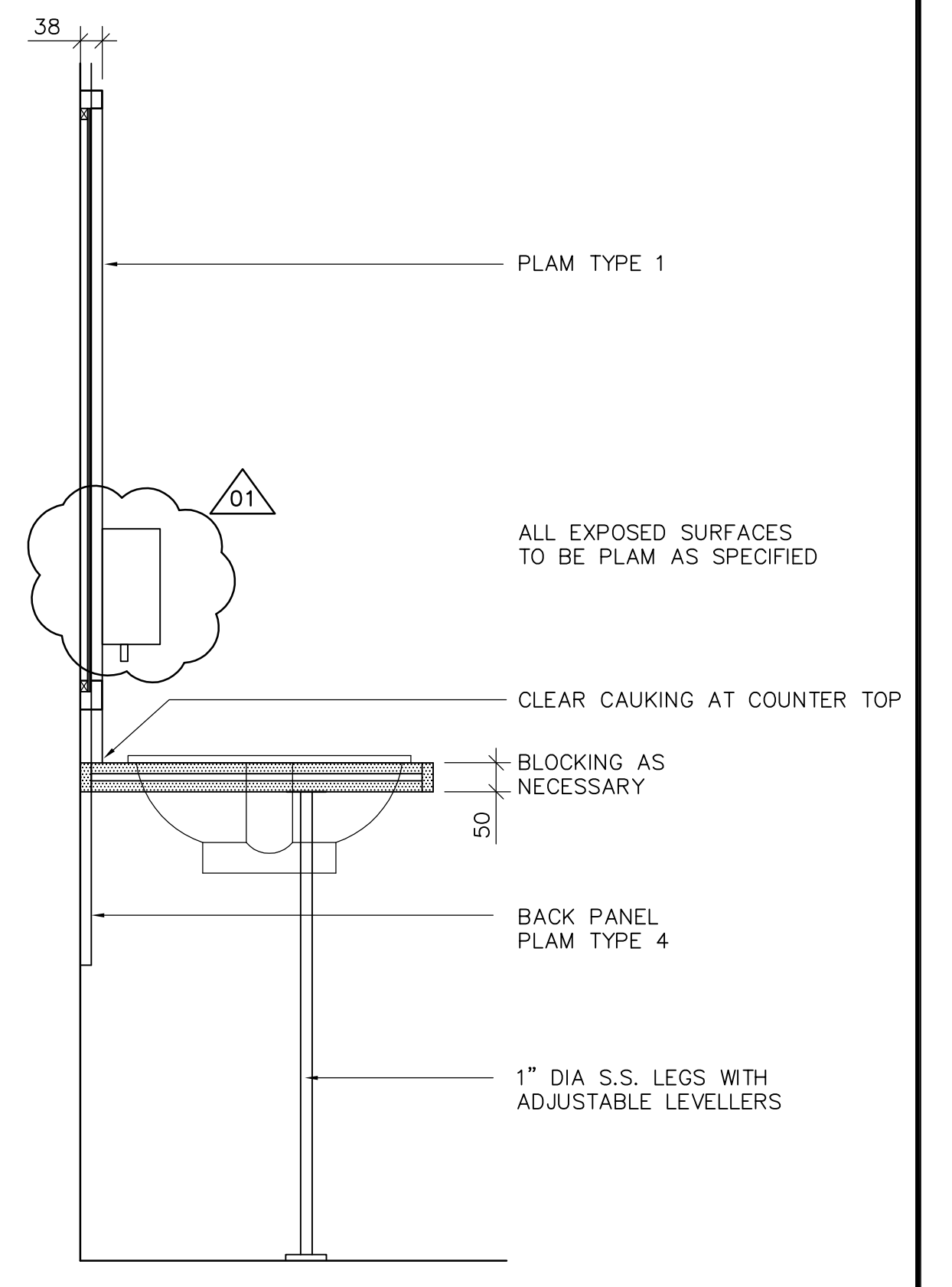


1 PARTIAL PLAN-MILLWORK (THIRD FLOOR LEVEL)
WB-B0139 1: 50

FIRE RATINGS:



2 TYP SHOWER PLAN (THIRD FLOOR LEVEL)
WB-B0354 1: 20



3 TYP BATH ROOM SECTION
WB-B0354 1: 10



NO.	REVISIONS	DATE	BY
01	95-2007 ADDENDUM 07	07/07/27	LK
00	ISSUED FOR TENDER	07/06/05	LK

DESIGNED BY	MG	CHECKED BY	BJS
DRAWN BY	MG	APPROVED BY	AHL
SCALE:	AS NOTED		
RELEASED FOR CONSTRUCTION BY:	R. SOROKOWSKI		
DATE	2005/08/05	DATE	2007/06/05

ENGINEER'S SEAL	ORIGINAL SIGNED BY	NEIL COOPER
		2007/06/05
CONSULTANT DRAWING NO.	WB-B0354	

THE CITY OF WINNIPEG
WATER AND WASTE DEPARTMENT
ENGINEERING DIVISION

WATER TREATMENT PLANT
MAIN BUILDING
OFFICE AND PLANT INTERIOR FINISHES

ARCHITECTURAL
MILLWORK PLANS, ELEVATIONS, AND SECTIONS

CITY FILE NUMBER
SHEET OF
CITY DRAWING NUMBER
1-0601B-A-B0354-001-01D