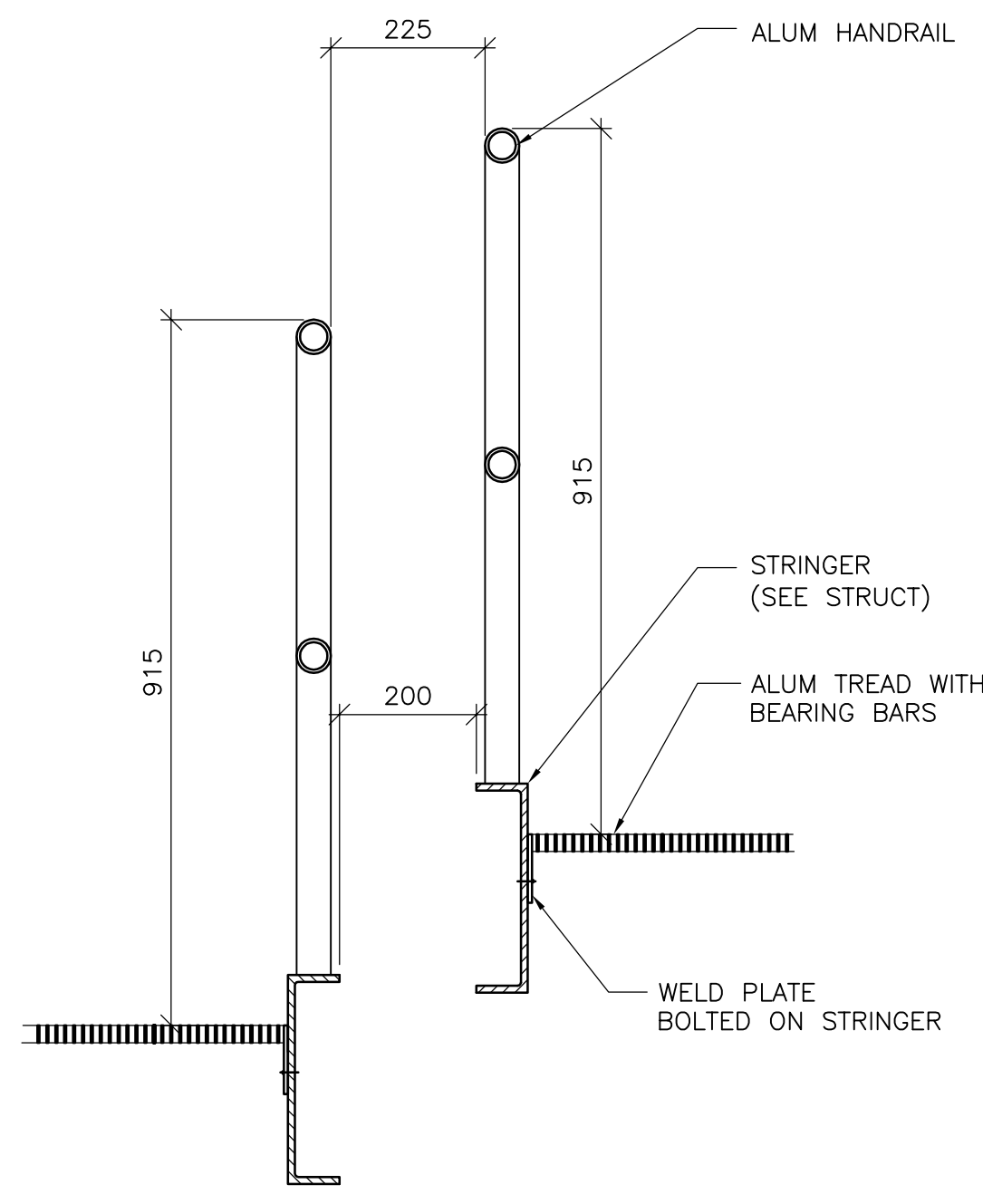
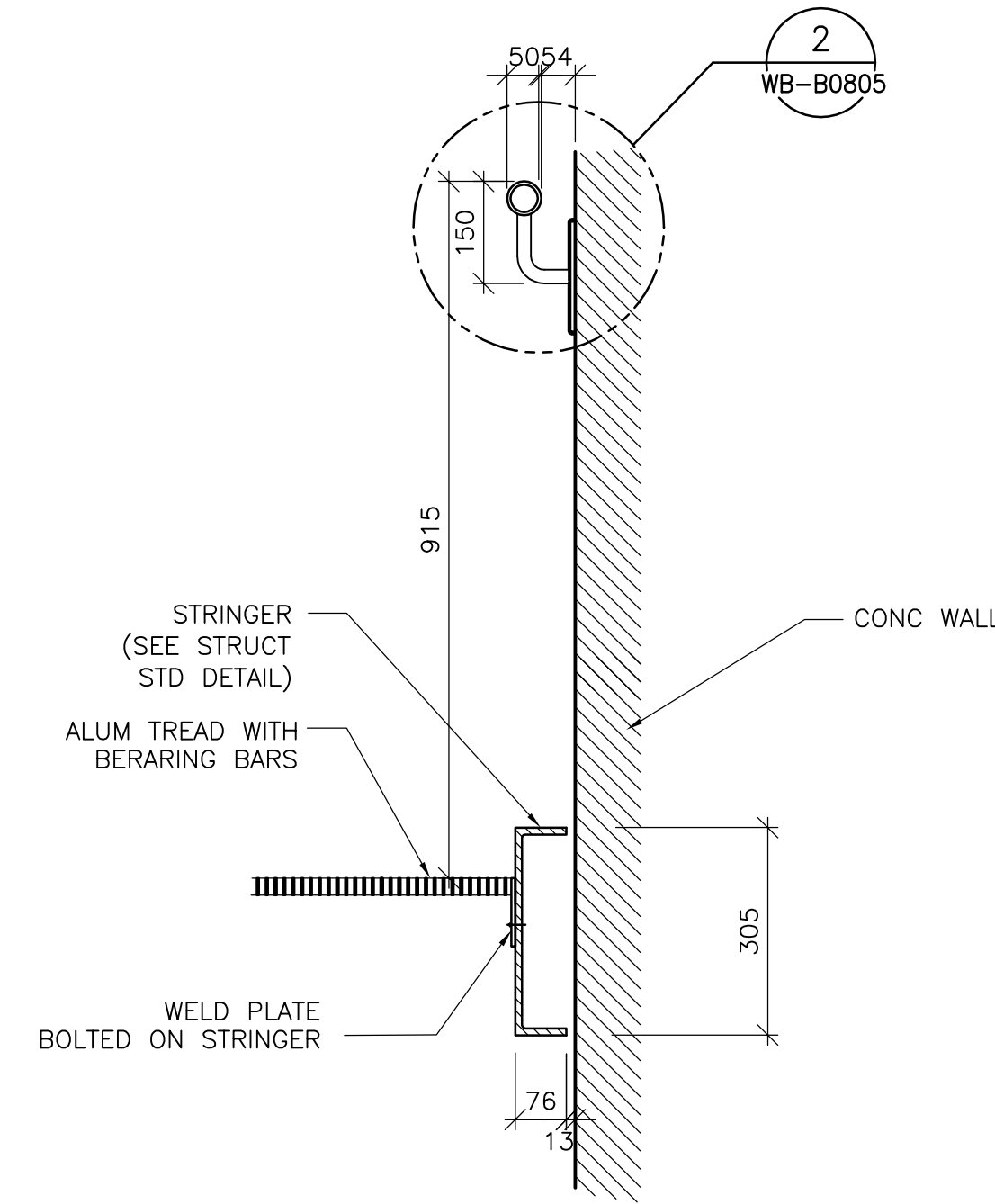


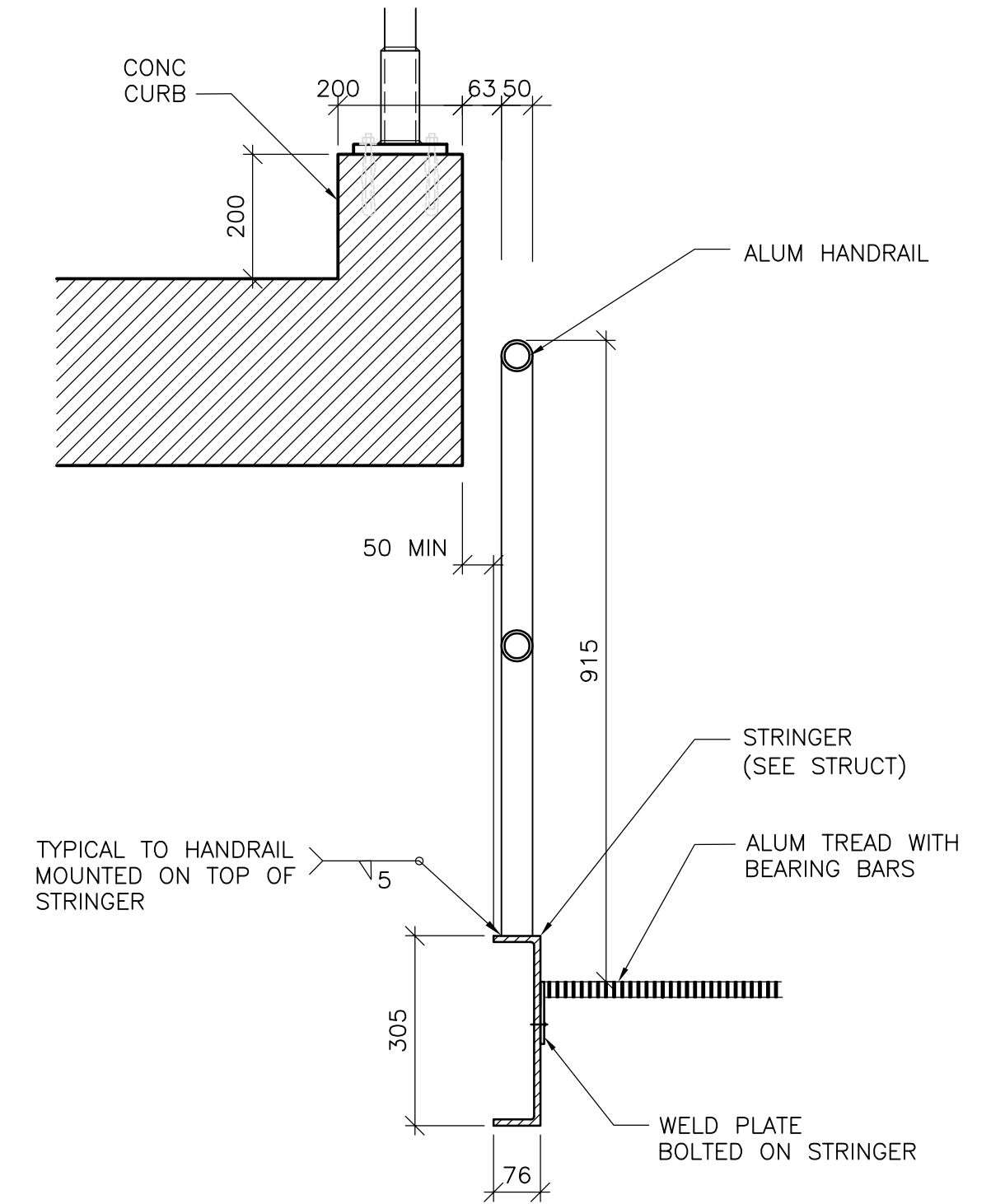
5 TYPICAL STAIRWELL PLAN
1:20



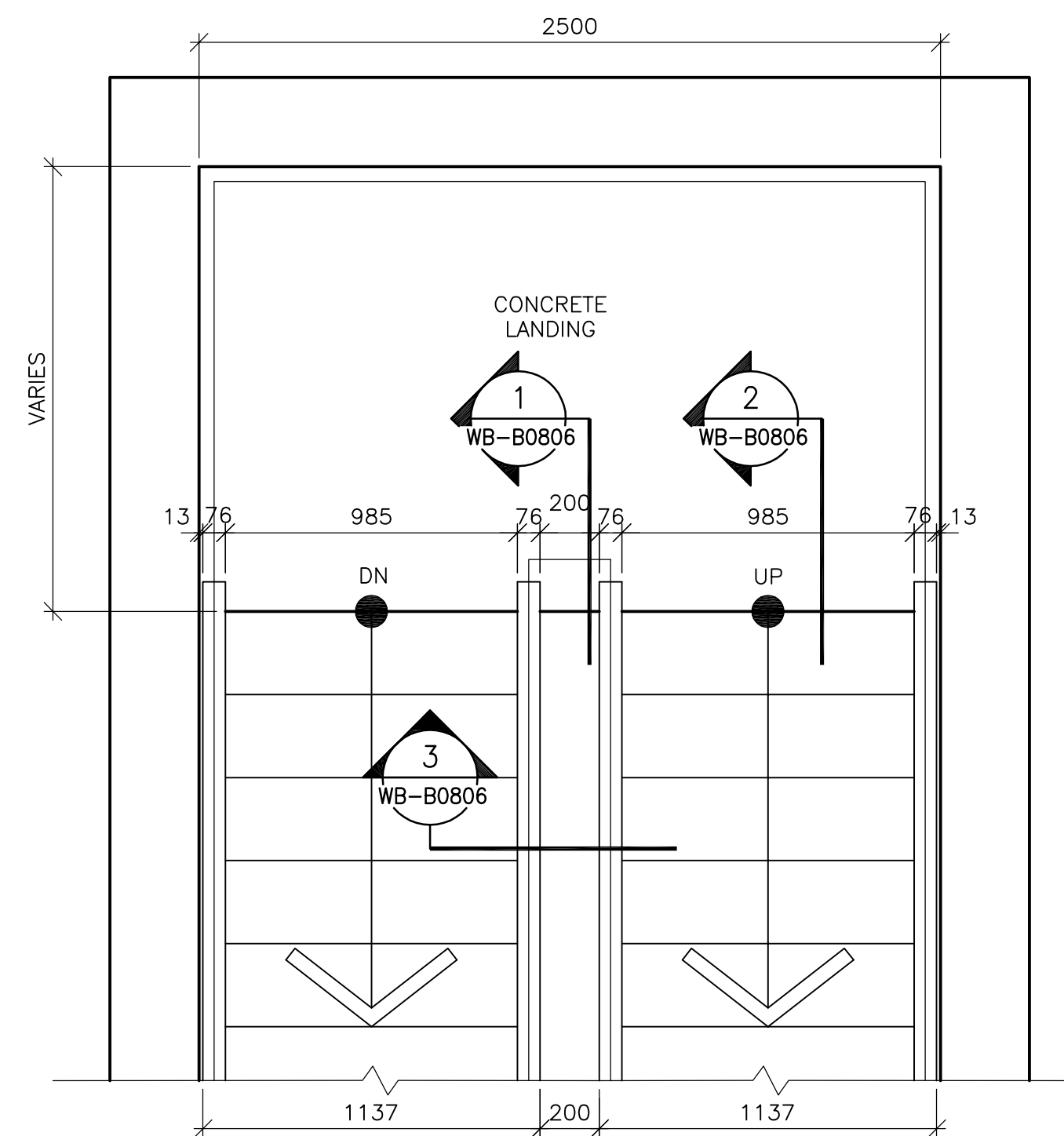
3 TYP SECTION @ STAIR HANDRAIL
WB-B0806 1:10



4 TYP SECTION @ WALL MOUNTED HANDRAIL
WB-B0806 1:10

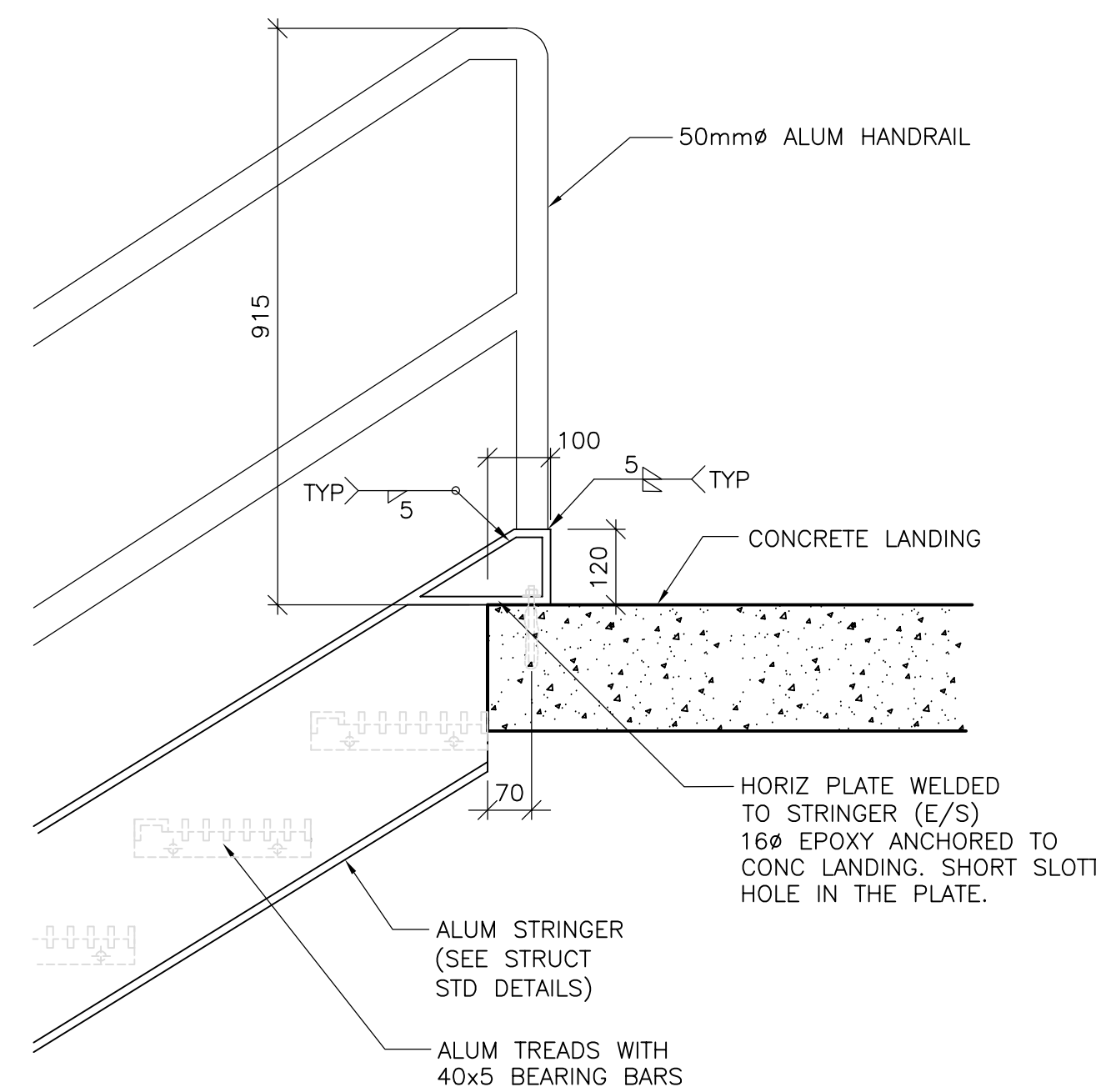


5 TYP SECTION @ SLAB OPENING
WB-B0806 1:10

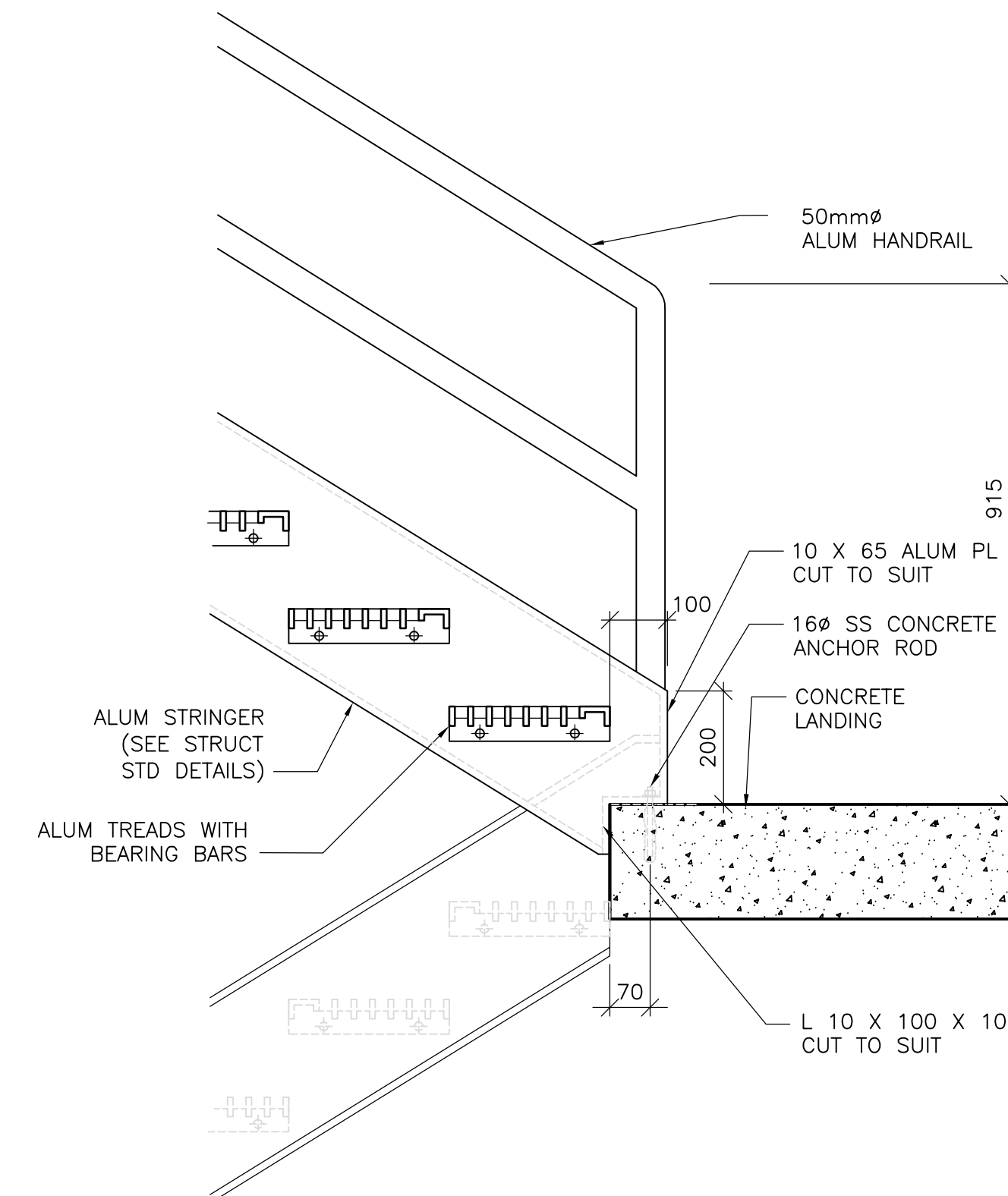


NOTE: HANDRAILS NOT SHOWN FOR CLARITY

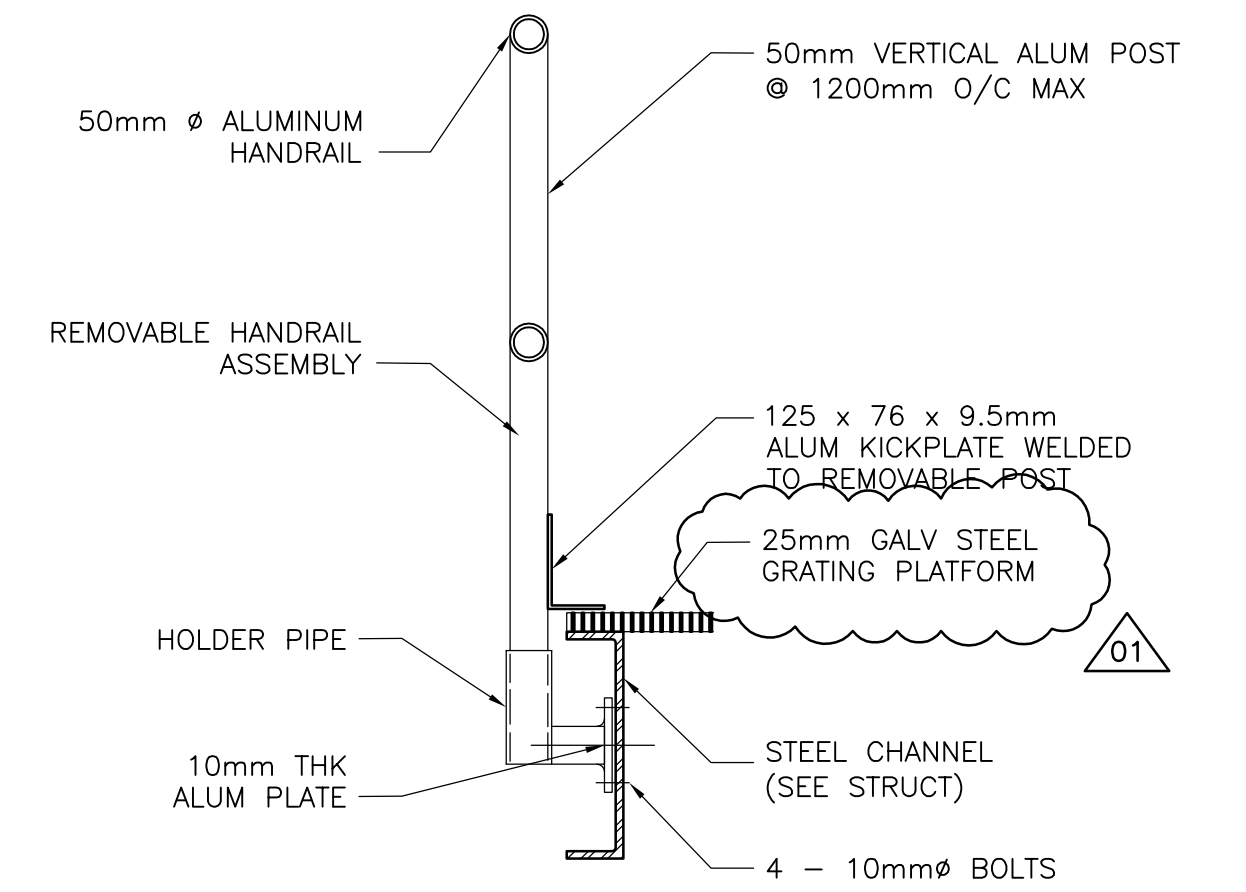
3 TYPICAL STAIRWELL PLAN
1:20



1 TYPICAL SECTION @ CONCRETE LANDING
WB-B0806 1:10



2 TYPICAL SECTION
WB-B0806 1:10



6 TYPICAL DETAIL OF REMOVABLE HR @ GRATED PLATFORMS
WB-B0119 1:10

NOTES:

1. PROVIDE PROTECTION FOR DISSIMILAR METAL & CONCRETE CONTACTS AS SPECIFIED.
2. VERIFY FIELD DIMENSIONS & ELEVATIONS PRIOR TO FABRICATION.
3. REFER TO STRUCTURAL DRAWINGS WB-S4451 THROUGH WB-S4454 FOR TYPICAL TREAD CONSTRUCTION AND HANDRAIL ATTACHMENT.
4. ALL FASTENERS SHALL BE STAINLESS STEEL.
5. ALL ALUMINUM HANDRAILS TO BE ANODIZED (TYP)



NO.	REVISIONS	DATE	BY
01	95-2007 ADDENDUM 07	07-07-27	LK
00	ISSUED FOR TENDER	07/06/05	LK

DESIGNED BY	TWS	CHECKED BY	BJS
DRAWN BY	AL	APPROVED BY	AHL
SCALE:	1:50	RELEASED FOR CONSTRUCTION BY:	R. SOROKOWSKI
DATE	2005/08/03	DATE	2007/06/05

ENGINEER'S SEAL
ORIGINAL SIGNED BY
NEIL COOPER
2007/06/05
CONSULTANT DRAWING NO.
WB-B0806

THE CITY OF WINNIPEG
WATER AND WASTE DEPARTMENT
ENGINEERING DIVISION

WATER TREATMENT PLANT
MAIN BUILDING
OFFICE AND PLANT INTERIOR FINISHES

ARCHITECTURAL
STAIR DETAILS

CITY FILE NUMBER
SHEET OF
CITY DRAWING NUMBER
1-060B-A-B0806-001-01D