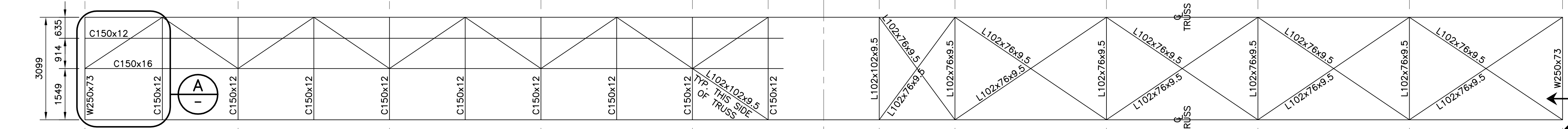


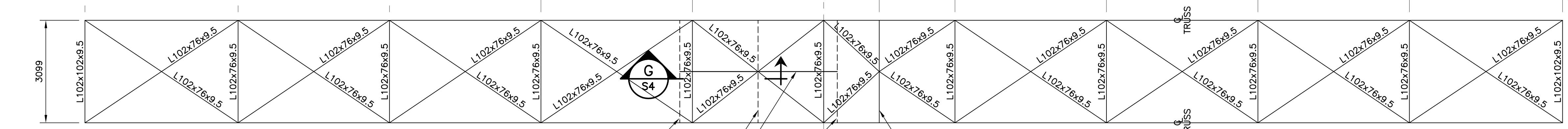
CLARIFIERS NO.3 TRUSS ELEVATION

SCALE: 1:150



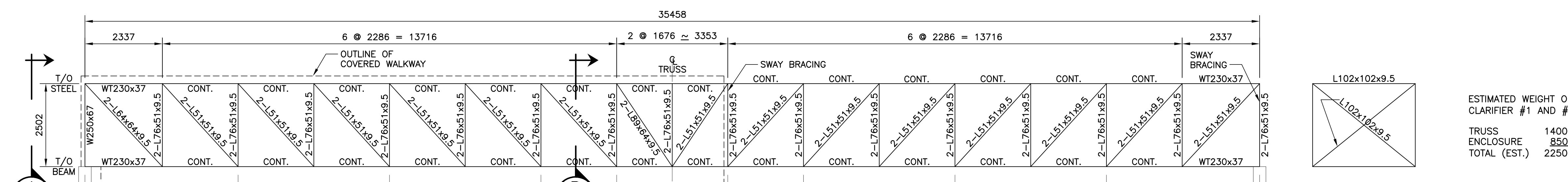
CLARIFIERS NO.3 TRUSS BOT. CHORD PLAN

SCALE: 1:150



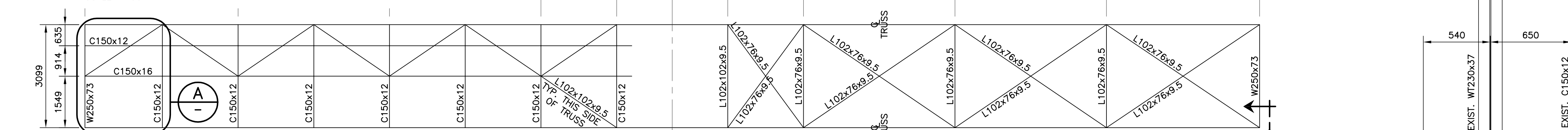
CLARIFIERS NO.3 TRUSS TOP CHORD PLAN

SCALE: 1:150



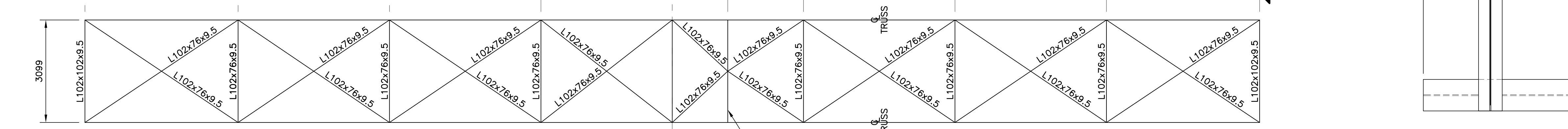
CLARIFIERS NO.1 & 2 TRUSS ELEVATION

SCALE: 1:150



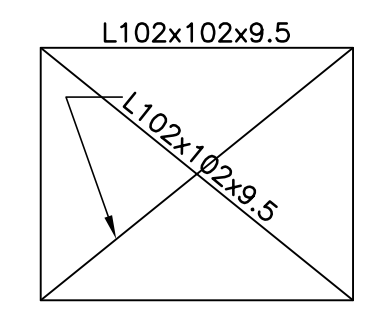
CLARIFIERS NO.1 & 2 TRUSS BOT. CHORD PLAN

SCALE: 1:150



CLARIFIERS NO.1 & 2 TRUSS TOP CHORD PLAN

SCALE: 1:150



SWAY BRACING
SCALE: 1:75

ESTIMATED WEIGHT OF CLARIFIER #3

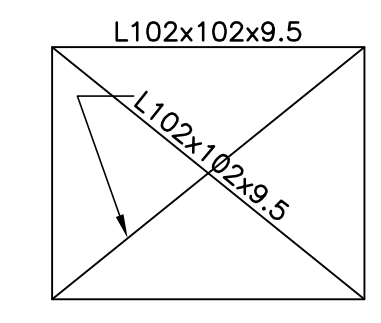
TRUSS	17500 kGs
ENCLOSURE	10500 kGs
TOTAL (EST.)	28000 kGs

TRUSS REFURBISHMENT SCOPE OF WORK:

- REMOVE AND DISPOSE OF ROOF MEMBRANE, INSULATION AND DECKING AND WALL CLADDING
- REMOVE, SANDBLAST, GALVANIZE AND REINSTALL EXISTING WALKWAY GRATING AND HANDRAIL. PROVIDE TEMPORARY OPENING CLOSURE WHEN WALKWAY IS REMOVED.
- PROVIDE CONTINUOUS 100x6mm KICKPLATE ALL ALONG HANDRAIL
- PROVIDE NEW HANDRAIL AROUND CENTRE TURN TABLE
- SANDBLAST AND PAINT ALL TRUSS FRAMING
- INSTALL SUPPORT FRAMING FOR SCUM TROUGH AND GUIDE ARMS
- SUPPLY AND INSTALL NEW BEARING PADS AT TRUSS SUPPORT POINTS
- SUPPLY AND INSTALL NEW ROOF AND WALL SYSTEM FOR TRUSS ENCLOSURE
- REMOVE AND REINSTALL HAND PUMP FOR SLUDGE LEVELING SYSTEM
- SUPPLY AND INSTALL FRAMING FOR SCUM TROUGH DRIVE AND DAVIT ARM SUPPORT
- SUPPLY AND INSTALL MONORAIL BEAM, SUPPORT ANGLES AND STOPS. SUPPLY AND INSTALL TROLLEY AND 250 kg CHAIN HOIST. HOIST CAPACITY SHALL BE DESIGNATED ON THE MONORAIL BEAM WITH AN EMBOSSED PLATE ATTACHED TO THE WEB OF THE BEAM.

GENERAL NOTES:

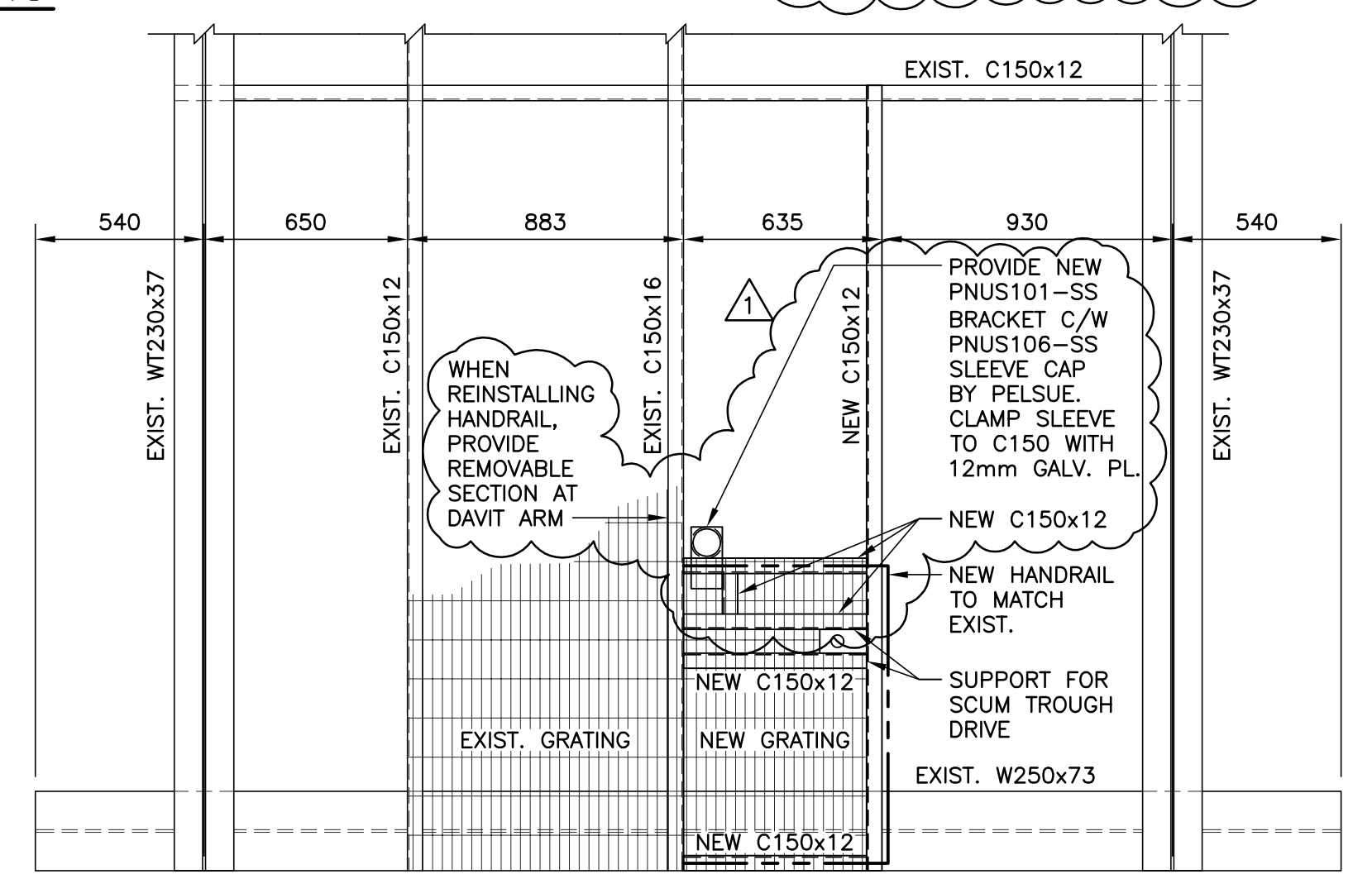
- THE CONTRACTOR SHALL SUBMIT A PROCEDURE AND METHODOLOGY FOR REMOVING THE TRUSSES FOR APPROVAL. SUBMITTALS TO THE CONTRACT ADMINISTRATOR SHALL BE SIGNED AND SEALED BY A PROFESSIONAL ENGINEER REGISTERED IN THE PROVINCE OF MANITOBA.



SWAY BRACING
SCALE: 1:75

ESTIMATED WEIGHT OF CLARIFIER #1 AND #2

TRUSS	14000 kGs
ENCLOSURE	8500 kGs
TOTAL (EST.)	22500 kGs

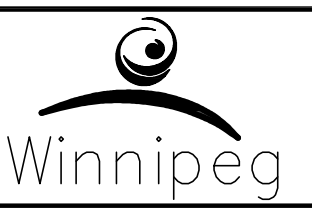
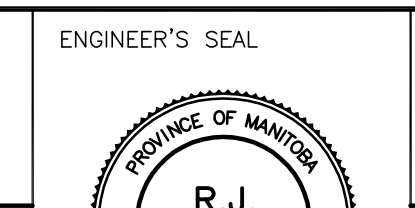


PLAN DETAIL
SCALE: 1:40

COWLEGGEND



B.M. ELEV.			
DESIGNED BY	RJL	CHECKED BY	RJL
DRAWN BY	MB	APPROVED BY	
HOR. SCALE:	AS SHOWN	RELEASED FOR CONSTRUCTION:	
VERTICAL:		DATE	-/01/08
NO. REVISIONS	DATE	BY	



THE CITY OF WINNIPEG WATER AND WASTE DEPARTMENT

PROJECT TITLE: NORTH END WATER POLLUTION CONTROL CENTRE PRIMARY CLARIFIERS 1 & 2 WALKWAY FRAMING & ENCLOSURE

SHEET	OF
01	01
KGS JOB NUMBER: 06-0107-03 S3	
CITY DRAWING NUMBER: 1-0101P-C0005-001	

CONSULTANT DRAWING NO. 1-0101P-C0005-001