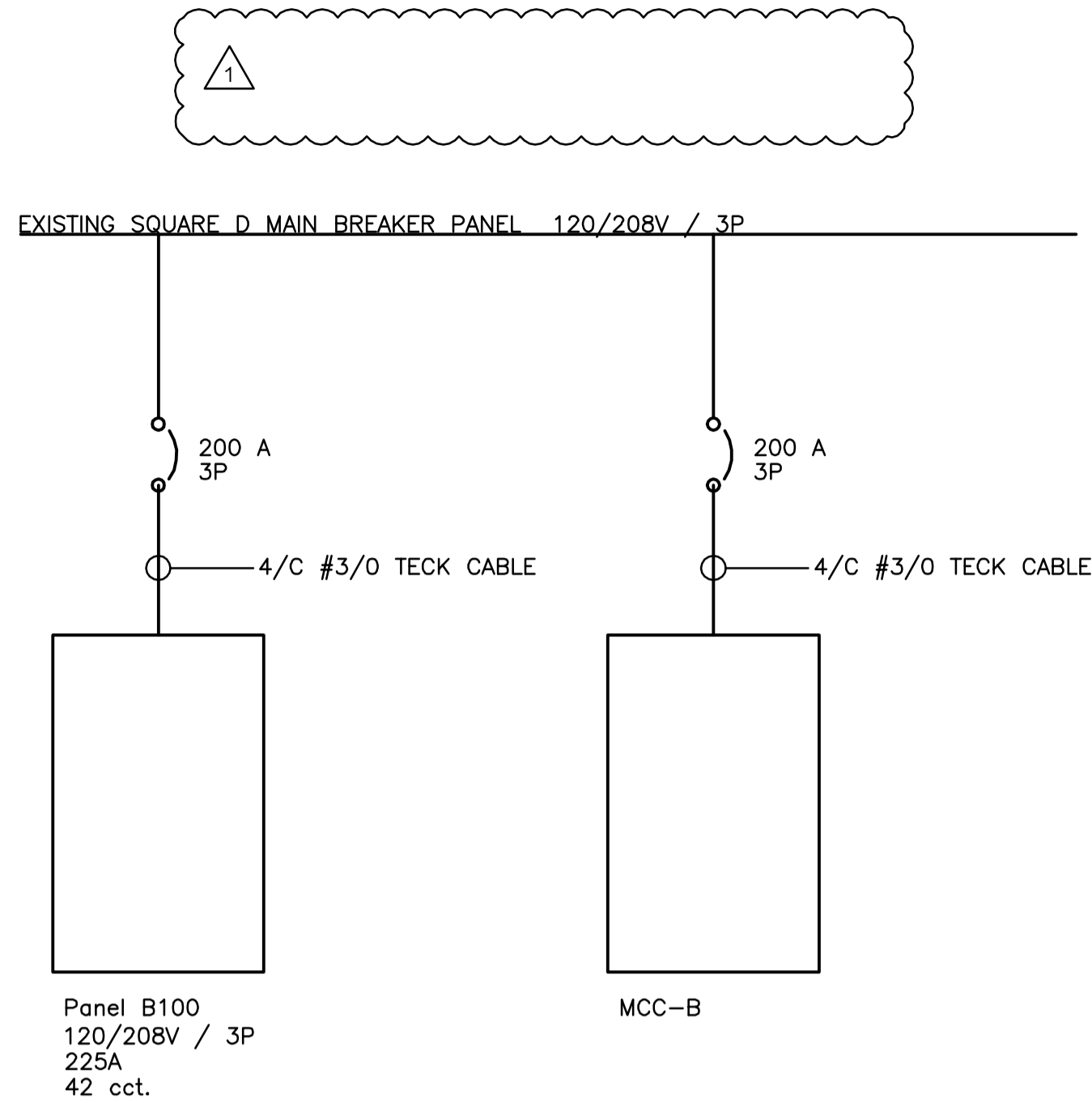
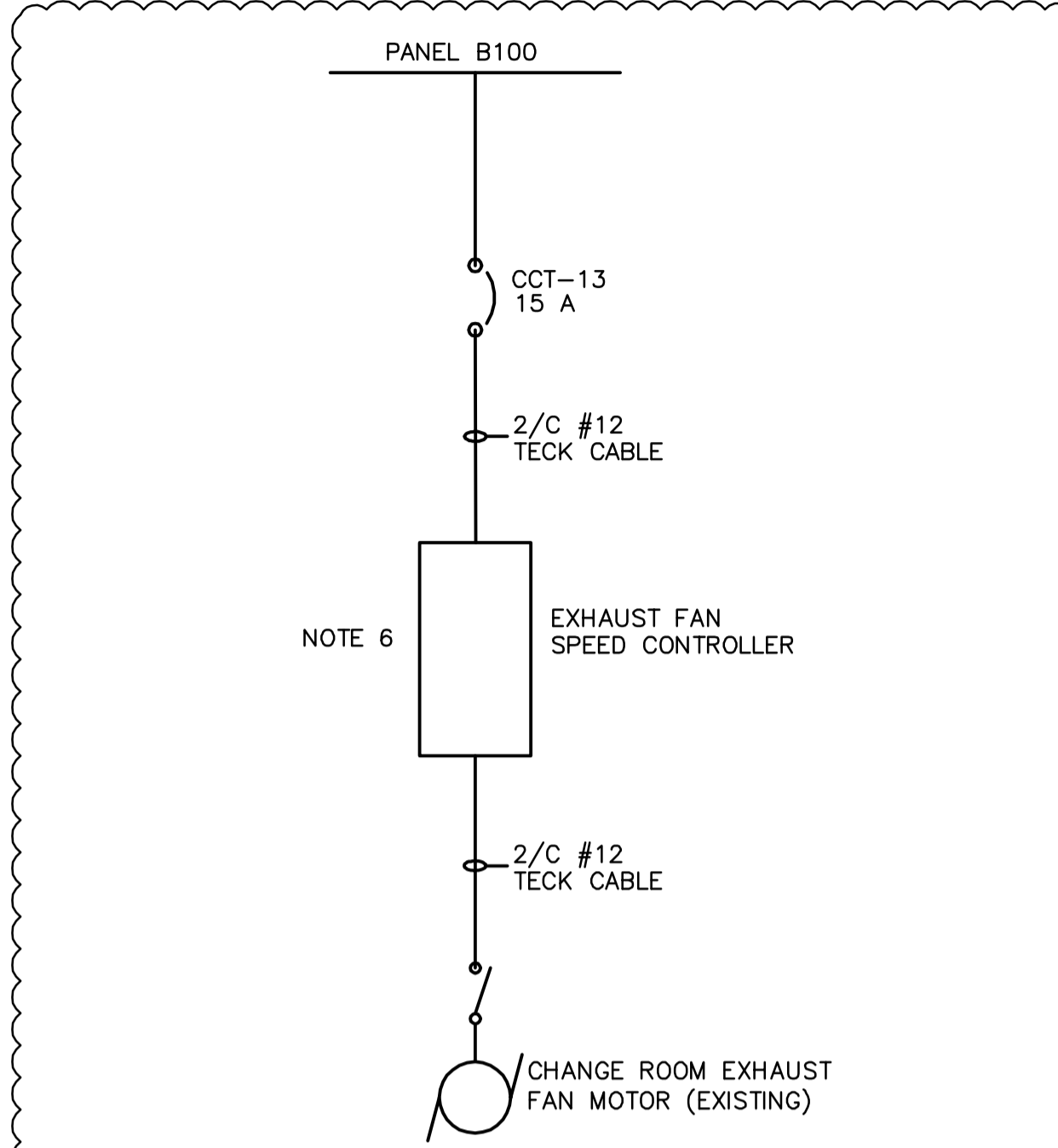


FILE NAME: 757-2008-E02-R1  
 DATE: 2008.12.05  
 DESCRIPTION: BASEMENT LEVEL - MECHANICAL  
 PROJECT NO.: 105111  
 ADDRESS: 457 MAIN STREET



1 ADDITION TO MAIN DISTRIBUTION  
 N.T.S.

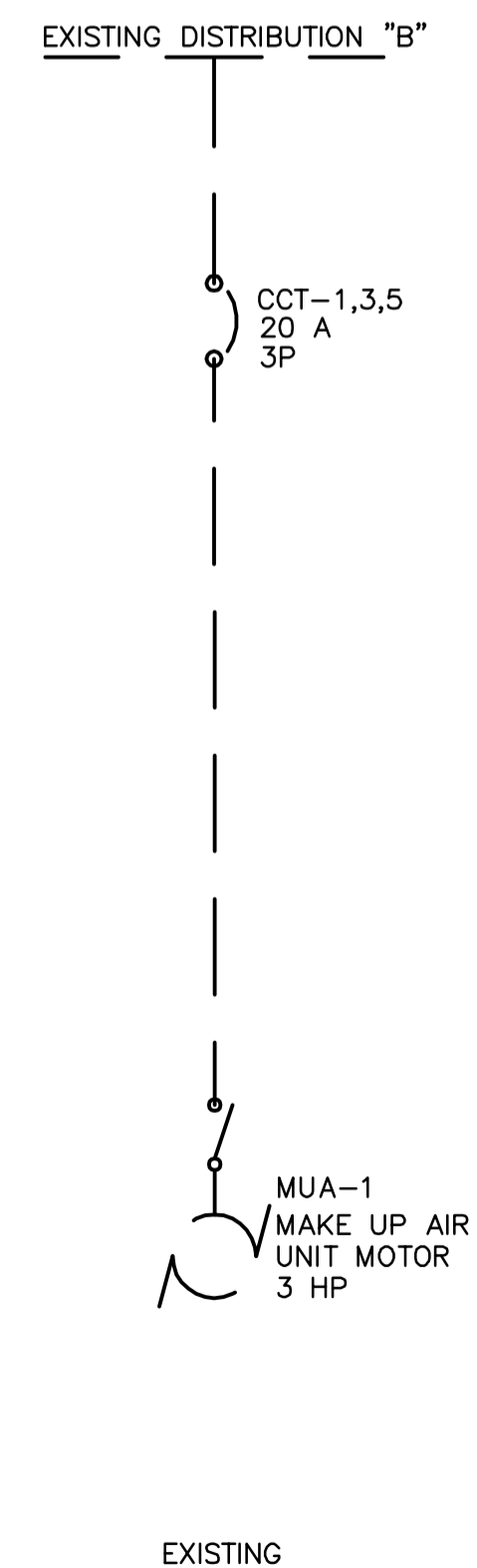


3 CHANGE TO EXISTING CHANGE ROOM FAN  
 N.T.S.

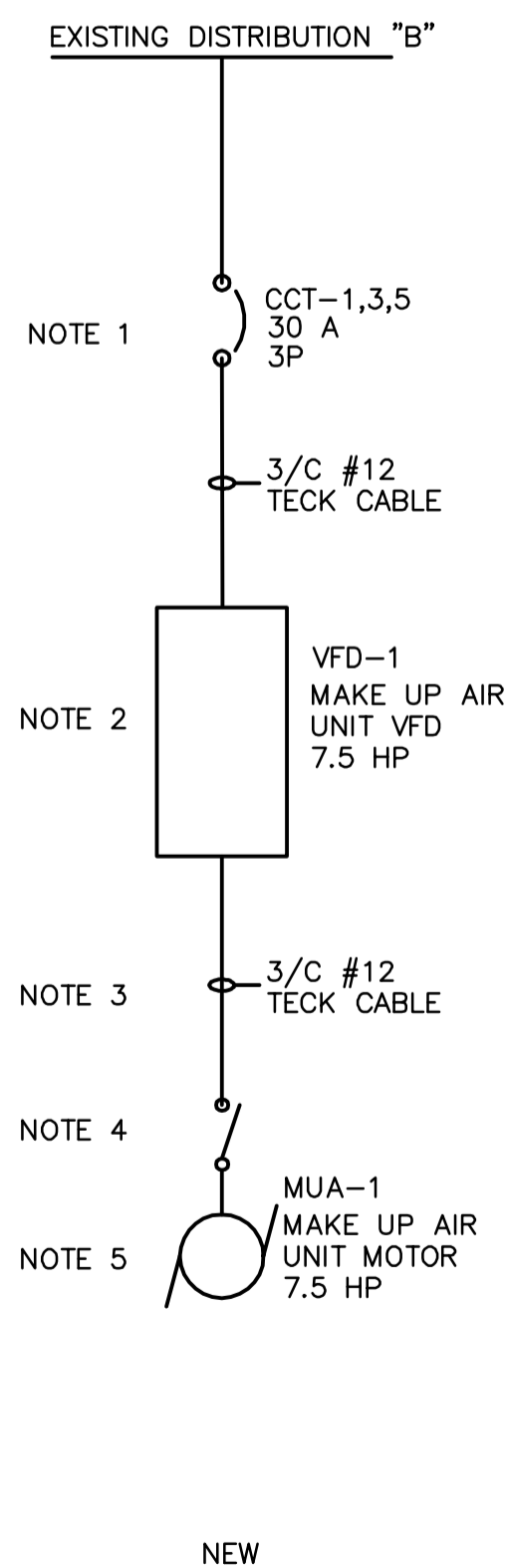
PRI. 120/208	V 3	Ø 4	WIRES/ FILS	CSA STD/NORME C222.2 NO 31	SWITCHGEAR UNITS
SEC. V	Ø			60 Hz	APPAREIL DE COMMUTATION
THROUGH BUS 2000	A BARRES PRINCIPALES			BIL/TEC kV	LL 9613 C
SECTION BUS	A BARRES SECONDAIRES			TRANS. kVA	S 16525
NO E800376A	A70001-535-01				



4 EXISTING SQUARE D MAIN BREAKER PANEL  
 N.T.S.



2 CHANGE TO DISTRIBUTION "B"  
 N.T.S.



PANEL SCHEDULE											
PANEL "B100"											
DESCRIPTION	LOAD	BKR	CCT	A	B	C	D	E	F	G	H
TVSS (Integral Mount)		30A	1	*			2	15A	60W	Receptacles	
		3P	3	*			4	15A	60W	Receptacles	
			5	*			6	15A	60W	Receptacles	
SP-1 Sump Package	186.5W	15A	7	*			8	15A	60W	Receptacles	
GFT-1 Glycol Feed Tank		15A	9	*			10	15A		Electrical Room Lights	
B-3 & B-4 Boilers		15A	11	*			12	15A		Vestibule Fluorescent Lights	
Change Room Exhaust Fan		15A	13	*			14	15A		Vestibule Potlamp Lights	
BMS Building Management Syst		50A	15	*			16	15A		Mechanical Lights	
		3P	17	*			18	15A		Emergency Lighting/Exit Sign	
			19	*			20				
			21	*			22				
			23	*			24				
			25	*			26				
			27	*			28				
			29	*			30				
			31	*			32				
			33	*			34				
			35	*			36				
			37	*			38				
			39	*			40				
			41	*			42				

Voltage: 120/208V/3Ø/4 wire Feeder: 4/C #3/0 Teck Cable  
 Mains: 225 A Main Breaker: N/A  
 Location: Confederation building basement level electrical room Power Source: Existing Square D Main Distribution Panel  
 Mounting: Surface

5 B100 PANEL SCHEDULE  
 N.T.S.

- NOTES :
- 1 Replace existing breaker with new 30A breaker
  - 2 VFD-1 supplied and installed by Div 23. Electrical power connections by Div 26, Control connections by Div 23.
  - 3 Replace existing cable
  - 4 In the disconnect switch, an "early-break" auxiliary set of contacts shall be interlocked with the VFD's Stop input
  - 5 MUA-1 motor supplied and installed by Div 23
  - 6 Fan speed controller supplied and installed by Div 23

1	ISSUED FOR ADDENDUM 2	ES	2008.12.05
0	ISSUED FOR ADDENDUM 1	ES	2008.12.05
NO.	REVISION/DESCRIPTION	BY	DATE

**EARTH TECH | AECOM**

DRAWN BY: ES  
 CHECKED BY: USER APPROVAL  
 DATE: 2008.12.05

CITY OF WINNIPEG  
 PLANNING, PROPERTY AND DEVELOPMENT DEPARTMENT  
 CIVIC ACCOMMODATIONS DIVISION  
 300 - 65 GARRY ST. R3C 4K4

PROJECT: CONFEDERATION BUILDING  
 SUPPLEMENTARY HEATING UPGRADES  
 PHASE 1 - CITY BID OPP. NO. 757-2008  
 457 MAIN STREET, WINNIPEG, MANITOBA

SHEET TITLE: BASEMENT LEVEL ELECTRICAL SINGLE LINE

Scale: AS SHOWN  
 Project No.: 105111  
 Sheet No.: E02

PROVINCE OF MANITOBA  
 REGISTERED PROFESSIONAL ENGINEER  
**S.A. SADLER**  
 Member 30812

**APEGM**  
 Certificate of Authorization  
 Earth Tech Canada Inc.  
 No. 730 Expiry: April 30, 2009

© 2008 EARTH TECH (CANADA) INC. ALL RIGHTS RESERVED. THIS DOCUMENT IS PROTECTED BY COPYRIGHT LAW AND MAY NOT BE USED, REPRODUCED OR MODIFIED IN ANY MANNER OR FOR ANY PURPOSE EXCEPT WITH THE WRITTEN PERMISSION OF EARTH TECH (CANADA) INC. DOING BUSINESS AS AECOM (AECOM) OR A PARTY TO WHICH ITS COPYRIGHT HAS BEEN ASSIGNED. AECOM ACCEPTS NO RESPONSIBILITY, AND DENIES ANY LIABILITY WHATSOEVER, TO ANY PARTY THAT USES, REPRODUCES, MODIFIES, OR RELIES ON THIS DOCUMENT WITHOUT AECOM'S EXPRESS WRITTEN CONSENT.