

PLAN
 1
 0 1000 2000 3000 mm SCALE 1:100

IMPORTANT: ASBESTOS NOTIFICATION AND ACKNOWLEDGMENT

Every effort has been made to identify known asbestos containing materials within the areas of the proposed work. As a precautionary measure, where material is encountered by trades and contractors that is suspected or suspicious, the Trade/Contractor/Subcontractor is to contact the Contract Administrator who will have samples taken and tested to confirm its composition.

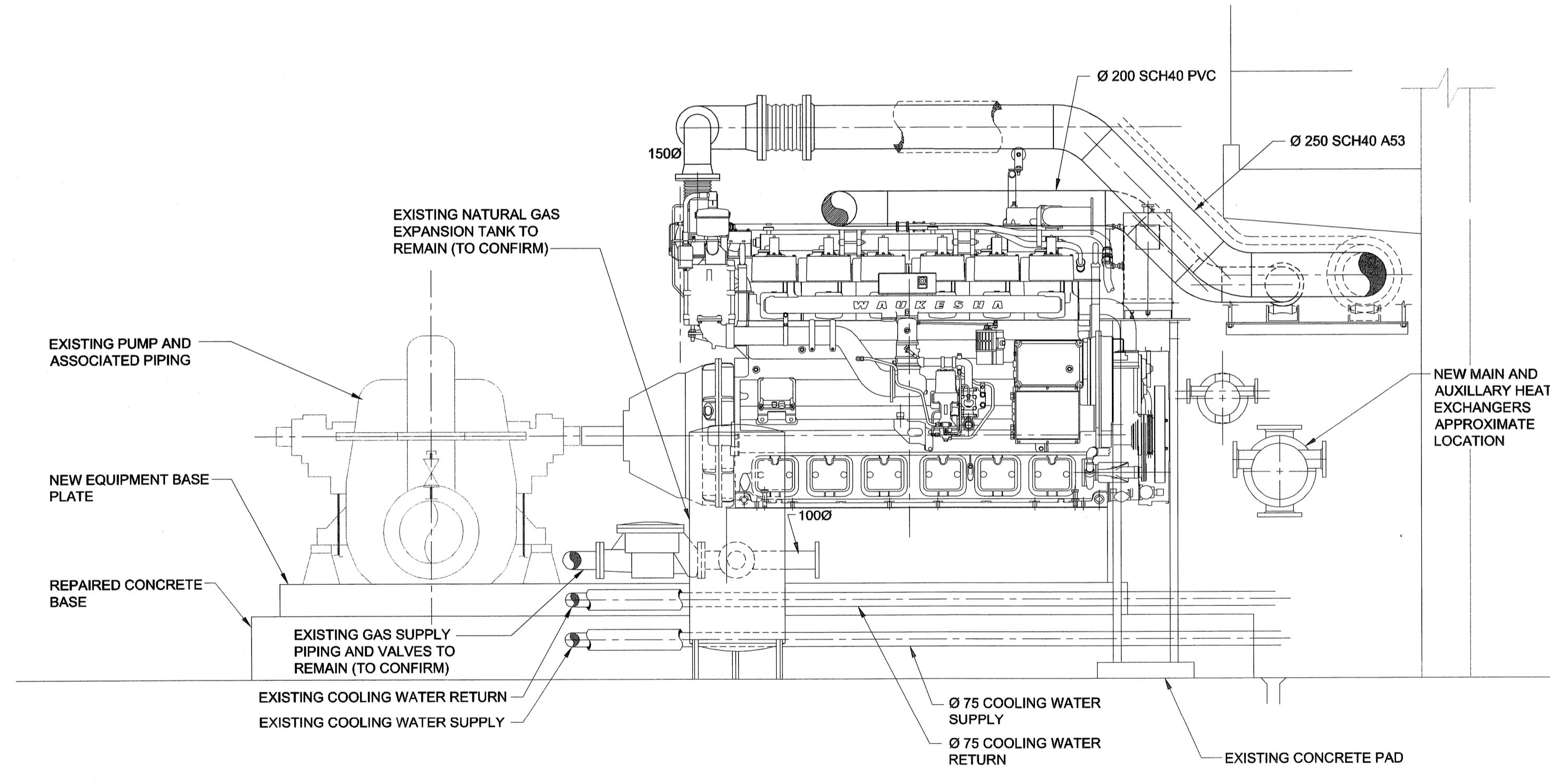
Mo. Reg. 53-88 (Workplace Health Hazard Regulation), Mo. Reg. 100-68R (Fibrous and Siliceous Regulation) and associated Guidelines apply to all maintenance and renovation work that may disturb asbestos or suspect asbestos-containing materials in the Workplaces. Such regulations and guidelines state that any disturbance of asbestos-containing materials may only be performed by workers or by an outside contractor who have first received the required training in asbestos-related procedures.

WORKING WITH ASBESTOS CAN BE DANGEROUS. INHALING ASBESTOS FIBERS CAN CAUSE VARIOUS TYPES OF LUNG DISEASE INCLUDING CANCER. SMOKING INCREASES THE RISK OF LUNG CANCER FROM ASBESTOS EXPOSURE.

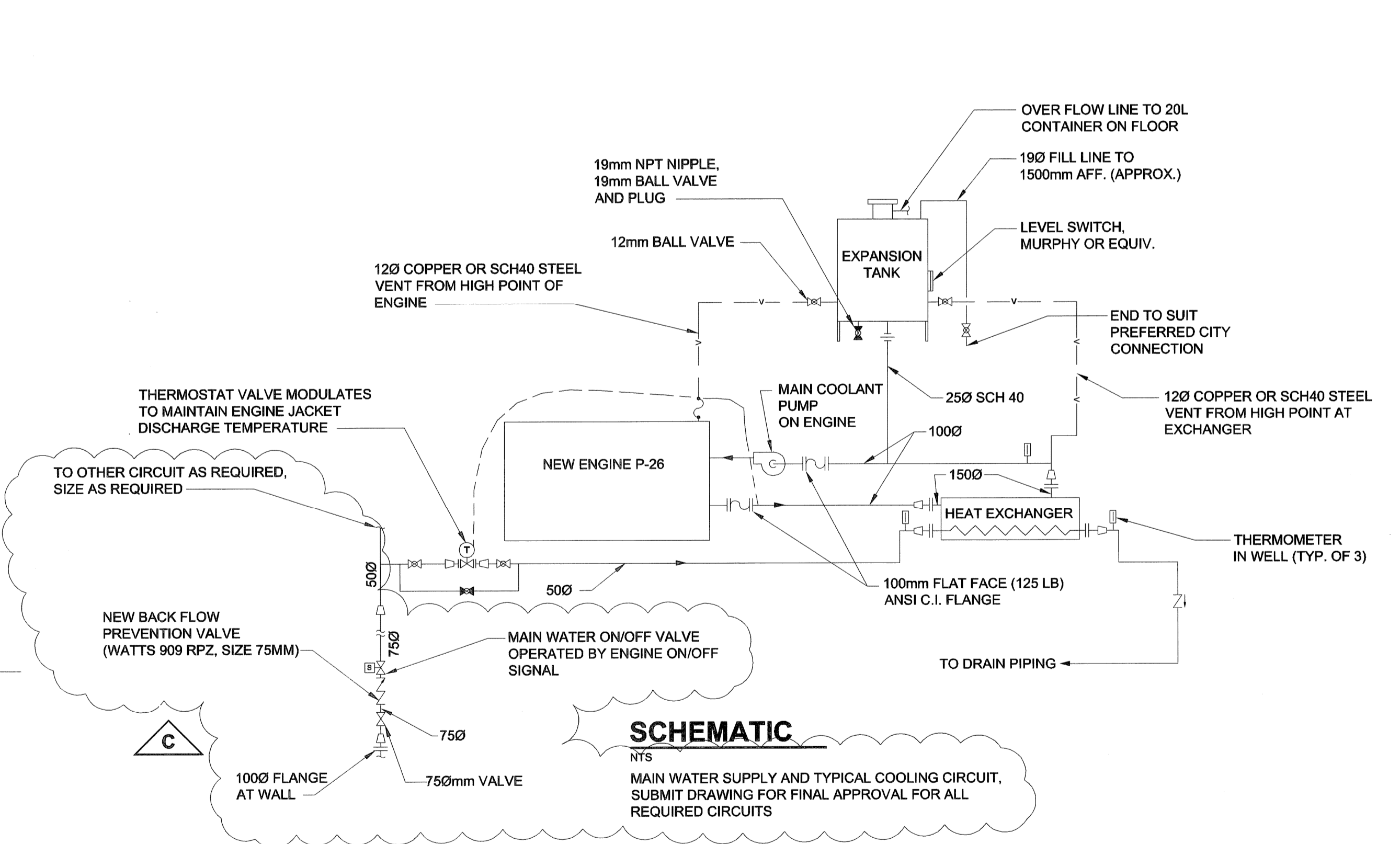
ACKNOWLEDGMENT:

In undertaking the work of this project, we the trade or contractor agree to perform our work in such a manner so as NOT to disturb any asbestos-containing materials without:

- giving notice to the appropriate supervisor, individual manager and/or project coordinator at the Water And Waste Department that known or suspected asbestos-containing material(s) will be disturbed, or
- halting work and giving notice to the Contract Administrator when unforeseen suspected asbestos-containing materials are uncovered during the provisions of services/contracts.



SECTION P-26
 A
 0 250 500 750 mm SCALE 1:25
 NOTE: FOR CLARITY SOME PIPE SUPPORTS ARE NOT SHOWN



SCHEMATIC
 NTS
 MAIN WATER SUPPLY AND TYPICAL COOLING CIRCUIT. SUBMIT DRAWING FOR FINAL APPROVAL FOR ALL REQUIRED CIRCUITS

APEGM
 Certificate of Authorization
 UMA Engineering Ltd. (MB)
 No. 256 Date: Dec 10-08

DRN	CHK	DES	ENG	IDR
UMA REVIEW				

NO.	REVISIONS	DATE	BY
C	ISSUED FOR ADDENDUM	08/12/10	RS
B	ISSUED FOR BID	08/11/21	RS
A	ISSUED FOR REVIEW	08/10/28	RS
		YYMMDD	

UMA AECOM		DESIGNED BY: CC		CHECKED BY:	
		DRAWN BY: RS		APPROVED BY:	
HOR. SCALE: AS NOTED		VERT. SCALE: AS NOTED		RELEASED FOR CONSTRUCTION	
DATE		DATE		DATE	

PROFESSIONAL'S SEAL
 PROVINCE OF MANITOBA
 Dec 10-08
 C.A.D. COURCHAINE
 REGISTERED PROFESSIONAL ENGINEER
 CONSULTANT DRAWING NO.
 D265-199-00_05-M-0004_RX.dwg

THE CITY OF WINNIPEG WATER AND WASTE DEPARTMENT

G. C. MACLEAN PUMPING STATION P-26 ENGINE REPLACEMENT MECHANICAL - NEW CONSTRUCTION PUMP/ENGINE - PLAN AND SECTION

SHEET 1 OF 1
 CITY DRAWING NUMBER
 1-0630M-M0004-001
 REV C

© 2008 UMA Engineering Ltd. All Rights Reserved. This document is protected by copyright law and may not be used, reproduced or modified in any manner or for any purpose except with the written permission of UMA Engineering Ltd. or a party to which its copyright has been assigned. UMA accepts no responsibility, and denies any liability whatsoever, to any party that uses, reproduces, modifies, or relies on this document without UMA's express written consent.