

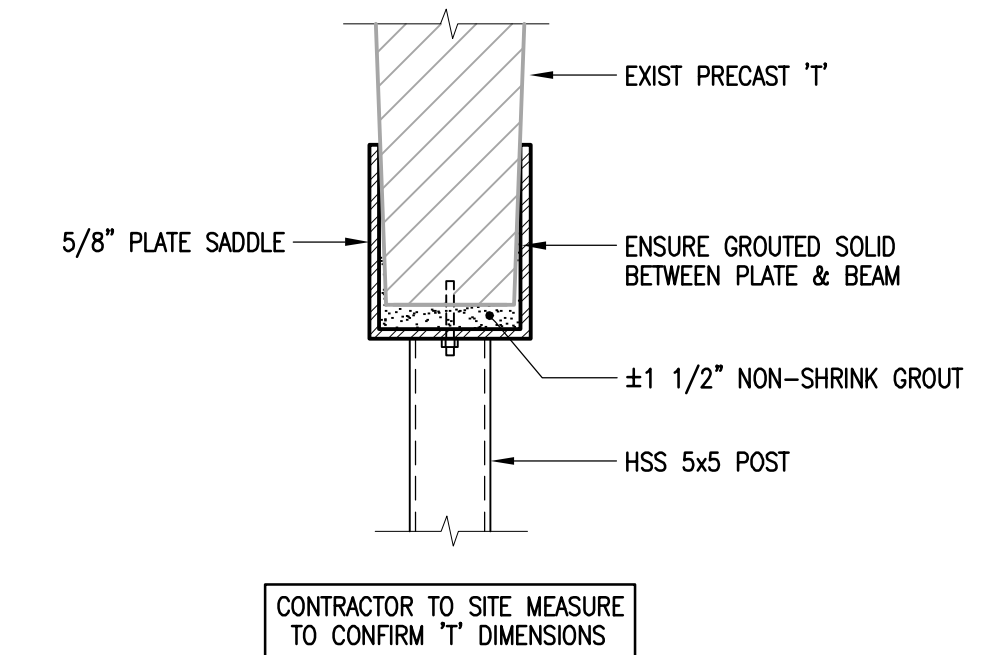
**LEVEL P1/P2 FLOOR PLAN**

1/16" = 1'-0"

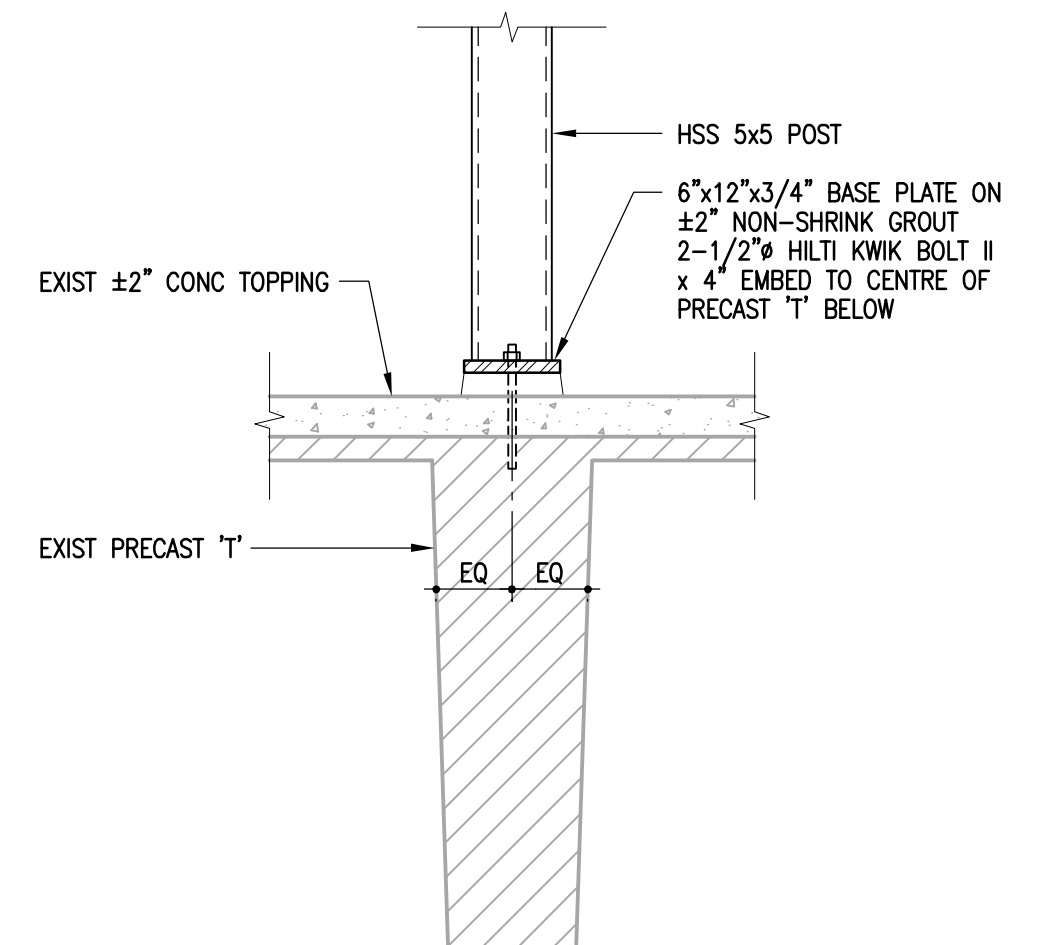
- ALL DIMENSION OFFSETS MEASURED FROM CENTRELINE SADDLE/COLUMN TO FACE OF CONCRETE COLUMN.
- MECHANICAL/ELECTRICAL SYSTEMS NOT SHOWN ON PLAN.
- CONTRACTOR TO SITE CONFIRM ALL LOCATIONS WITH INTERFERENCE DUE TO MECHANICAL/ELECTRICAL SYSTEMS OR OTHER. PROVIDE TEMPORARY RELOCATION OF SERVICES/MATERIAL FOR DURATION OF SHORING INSTALLATION.
- PAINTING OF SHORING COLUMNS FOR VISIBILITY BY CONTRACTOR AS DIRECTED BY CITY OF WINNIPEG.
- MODIFY PARTITION WALLS/CEILING AS REQUIRED TO INSTALL SHORING.
- ALL SHORING POSTS TO BE HSS 5x5x0.313, TYPICAL.
- SITE CONFIRM ALL DIMENSIONS PRIOR TO FABRICATION

**SHORING LEGEND**

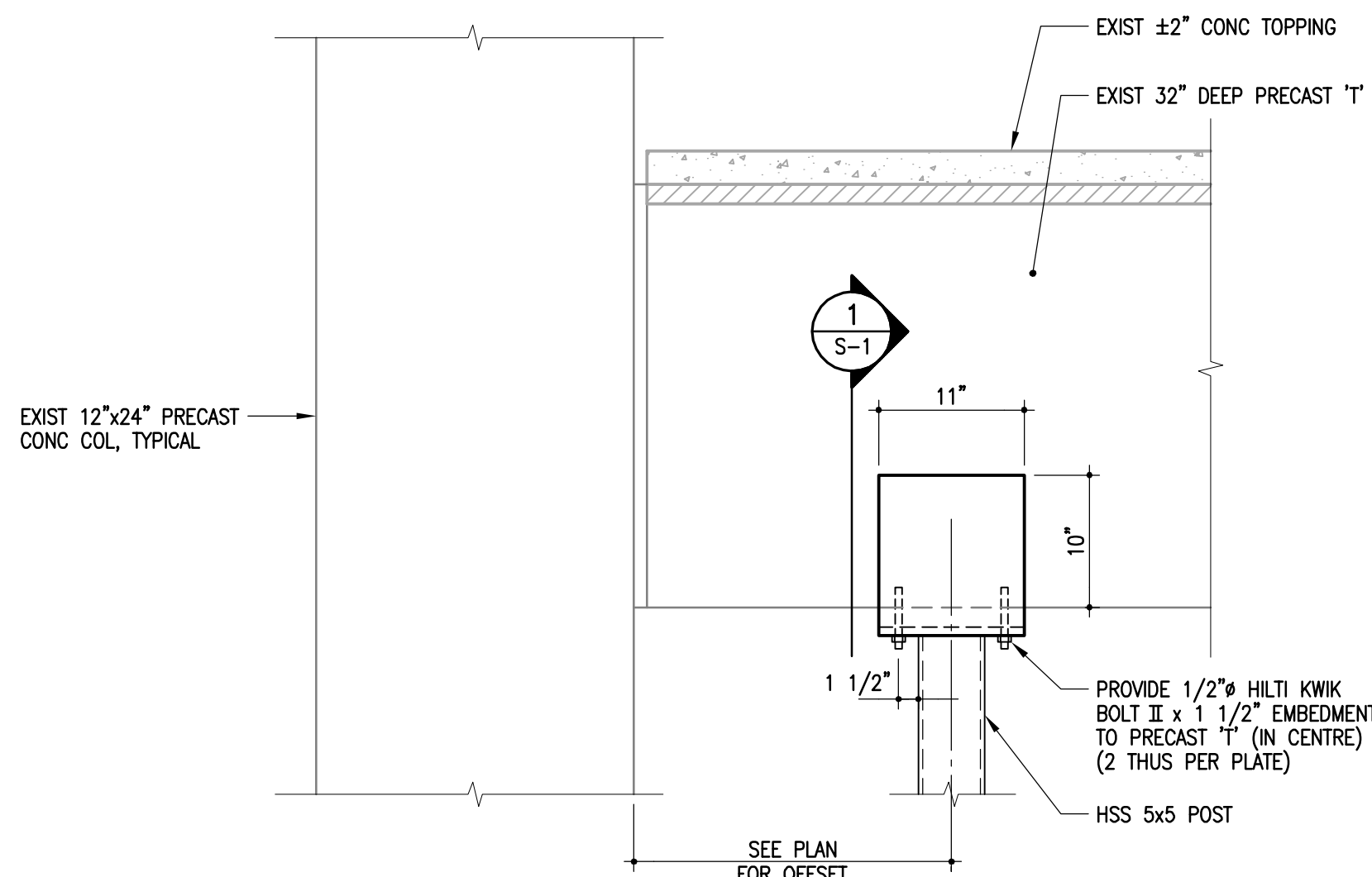
- DETERIORATED "T" AT P5/P6 & P3/P4 LEVELS
  - DETERIORATED "T" AT P3/P4 LEVEL ONLY
  - ⊗ DETERIORATED "T" AT P5/P6 LEVEL ONLY
  - 'A' ANGLED SHORING DETAIL FROM "T" TO BASE OF COLUMN AS PER 1/S-1
  - 'B' PROVIDE SADDLE BEARING SUPPORT OF TRANSFER BEAM AS PER 1/S-2 UNLESS NOTED ON PLAN \*
- \* SHORING SHOWN ON FLOOR LAYOUT IS FOR SUPPORT OF PRECAST "T" ON LEVEL ABOVE



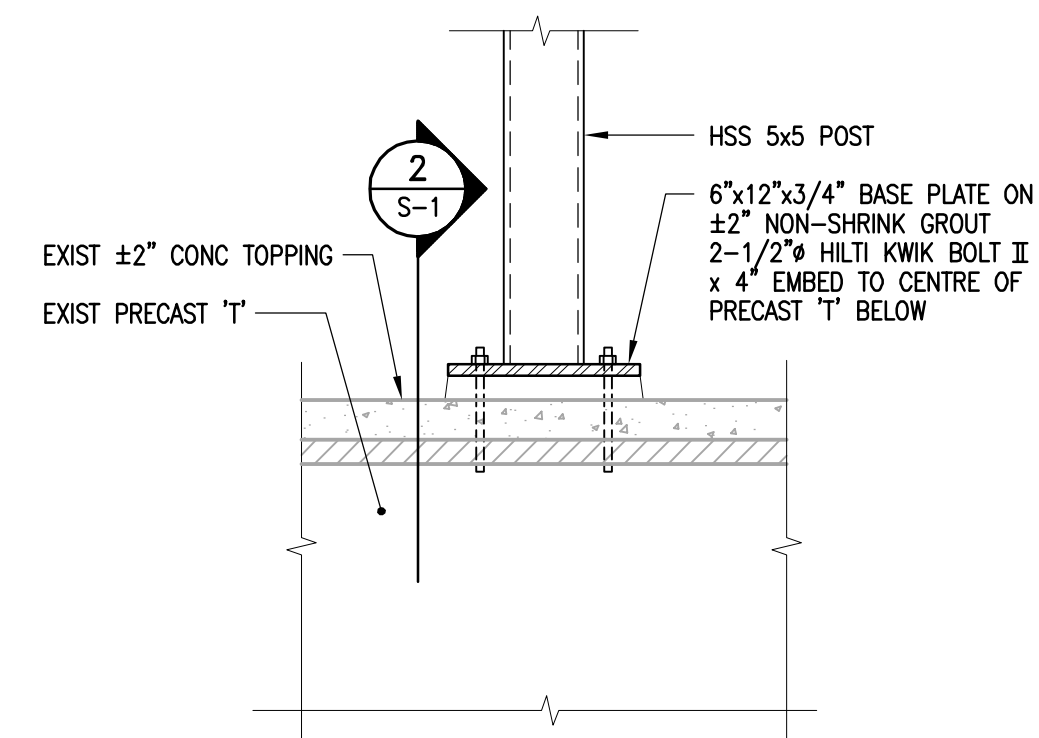
**1 SADDLE CONNECTION SECTION**  
S-1 1" = 1'-0"



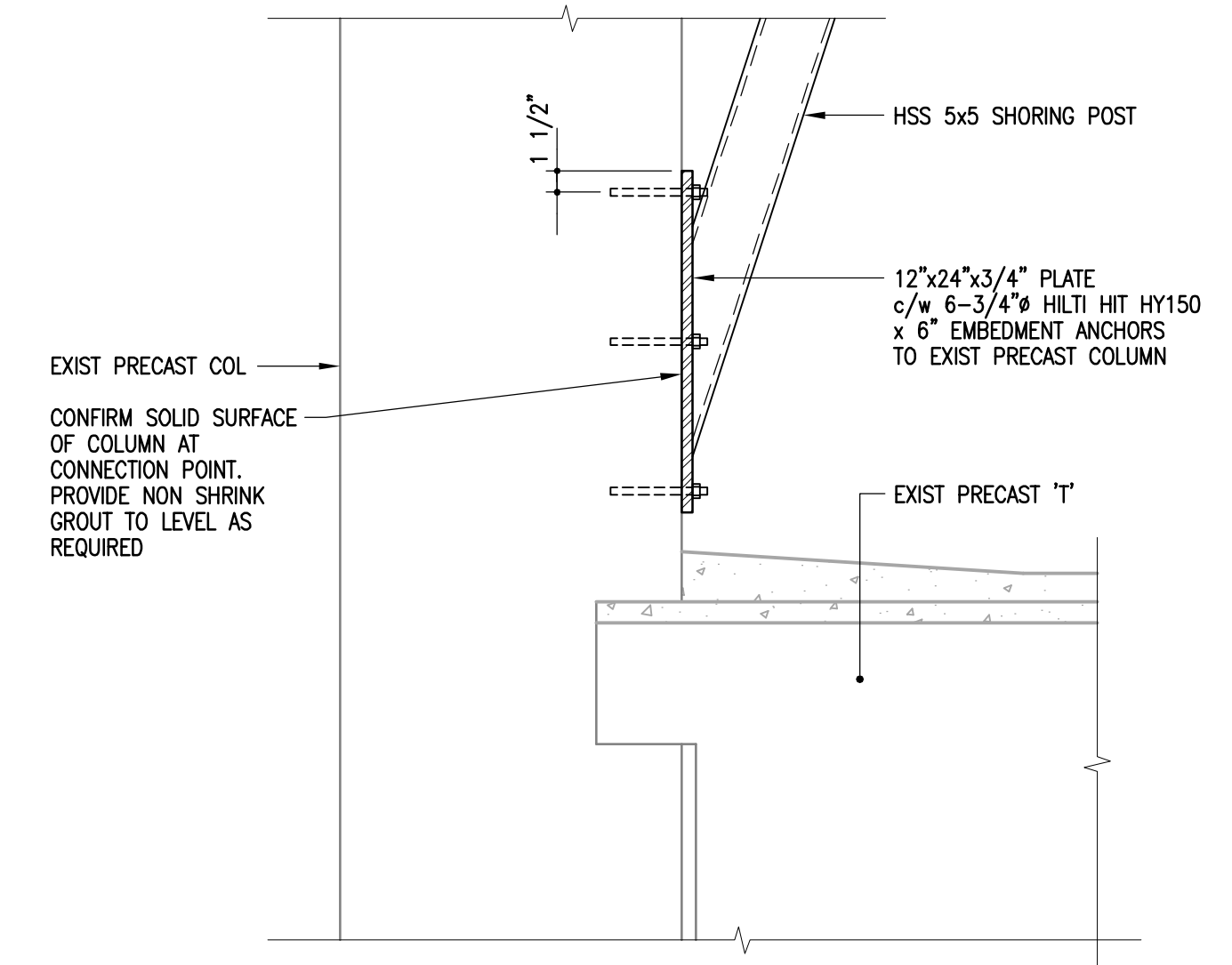
**2 BASE CONNECTION SECTION**  
S-1 1" = 1'-0"



**A SADDLE CONNECTION DETAIL**  
S-1 1" = 1'-0"



**B BASE CONNECTION DETAIL**  
S-1 1" = 1'-0"



**C ANGLED SHORING POST PLATE**  
S-1 1" = 1'-0"



No.	Date	Issue/Revision	By
1	01/12/2009	ADDENDUM #1	RDM
0	12/19/2008	ISSUED FOR TENDER	RDM



300-275 Carlton Street  
Winnipeg, Manitoba R3C 5R6  
T 204. 943. 7501  
F 204. 943. 7507

**Crosier Kilgour & Partners Ltd.**  
CONSULTING STRUCTURAL ENGINEERS

The General Contractor shall check & verify all dimensions and report any errors or omissions to the designers.

Project  
**CIVIC CENTRE PARKADE TEMPORARY SHORING**  
171 PRINCESS STREET  
WINNIPEG, MANITOBA

Sheet Title  
**LEVEL P1/P2 FLOOR PLAN**

Sheet No.  
**S-1**

Design	Drawn	Checked	Scale	Date	File
RDM	TW	RDM	AS NOTED	19 DEC 2008	2008-0883