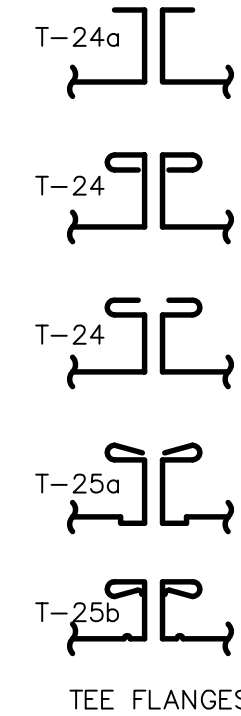
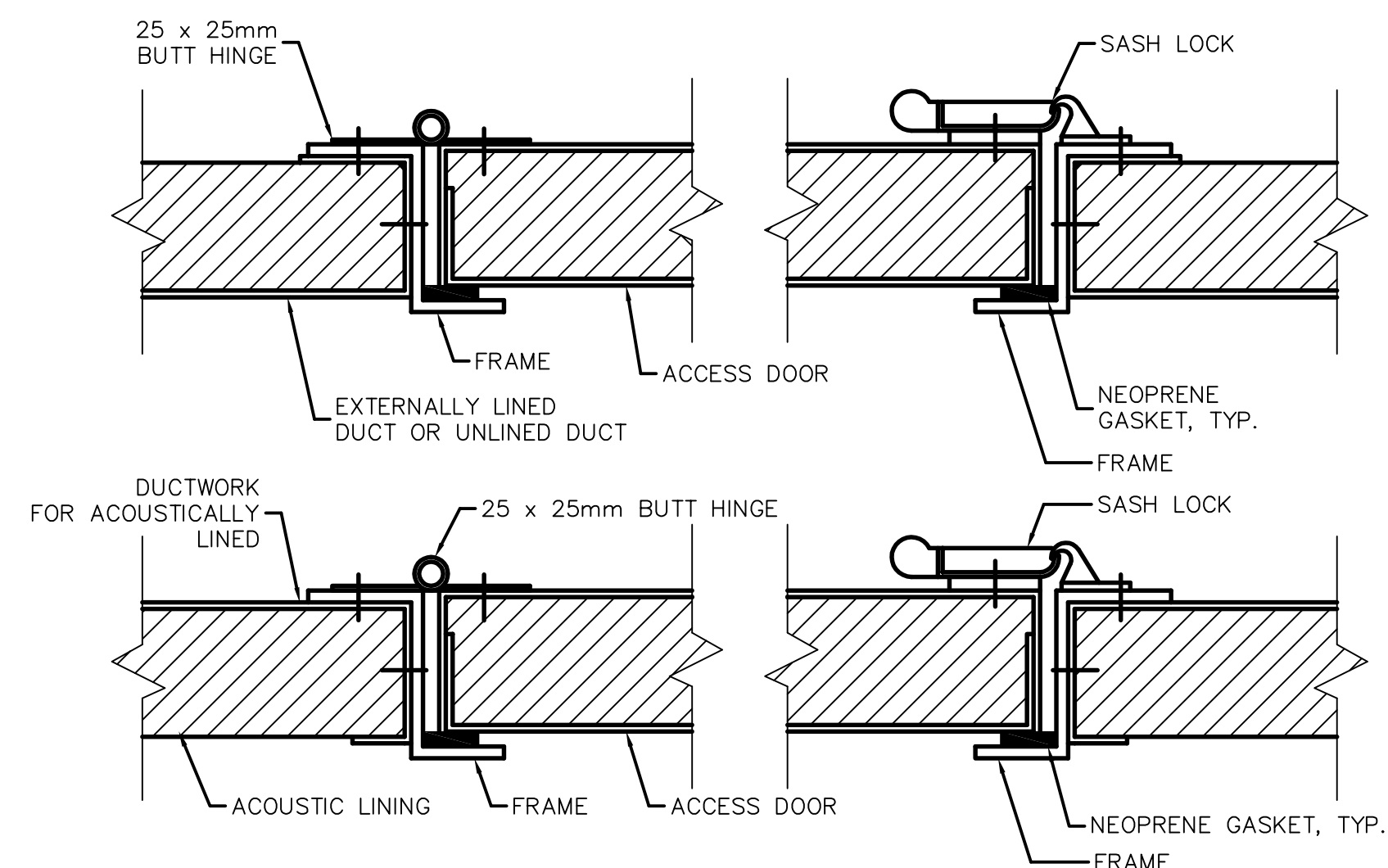


NOTES:
SECURELY ATTACH ADDITIONAL METAL CLIPS ON FLANGES AT 380 mm MAXIMUM CENTRES FOR 750 Pa STATIC OR LESS AND AT 300 mm MAXIMUM CENTRES FOR HIGHER PRESSURES. 0.85 mm MINIMUM.
CONTINUOUS CLEATS MAY BE USED.



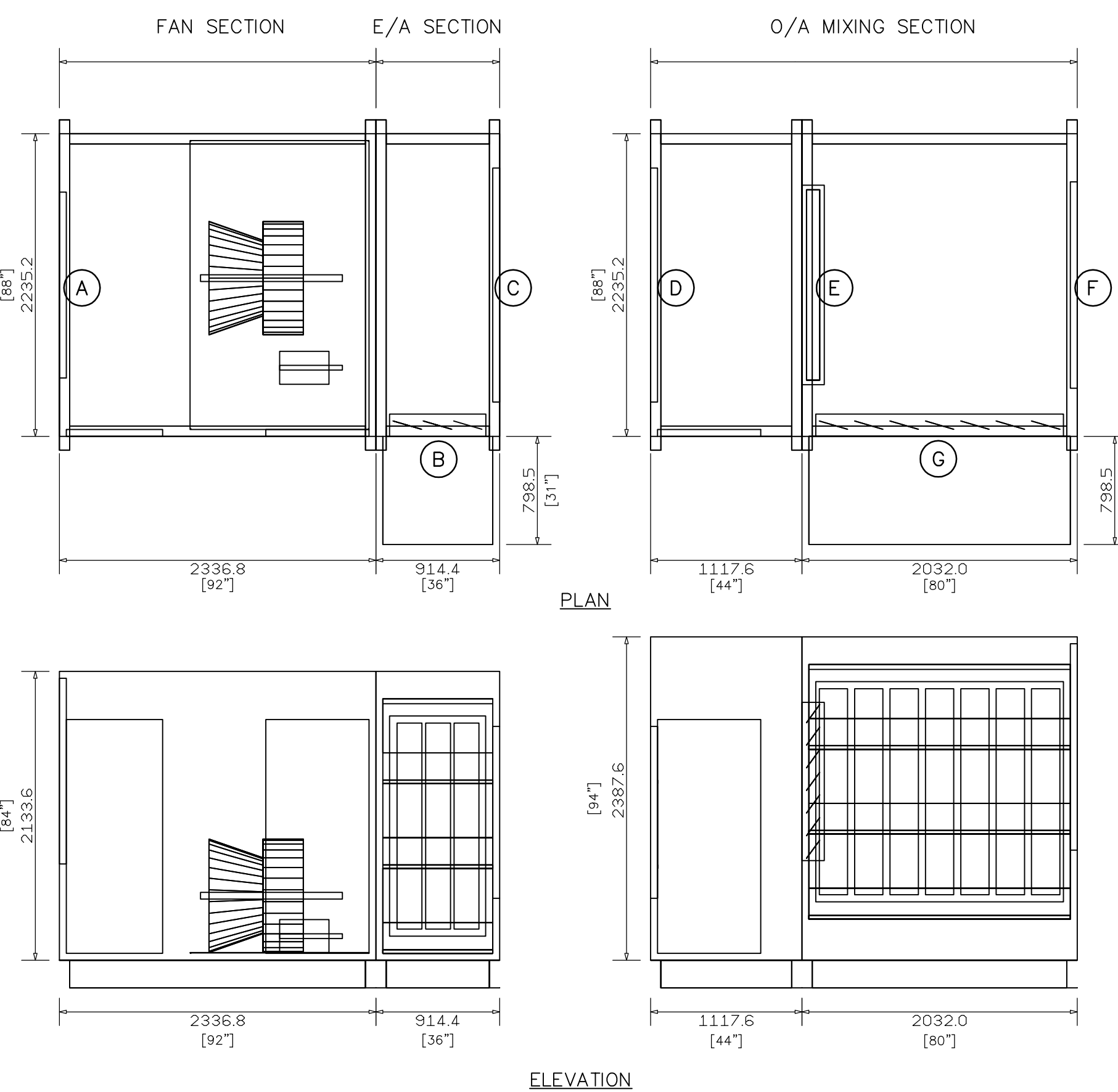
1 SQUARE/RECTANGULAR DUCTWORK CONSTRUCTION DETAIL
M05 SCALE N.T.S.



STATIC PRESSURE RATING	DOOR SIZE	HINGE QTY.	LOCK QTY.	METAL GAUGE		
				FRAME	DOOR	BACK
500 Pa & LESS	300 x 300	2	1-S	24	26	26
	400 x 500	2	2-S	22	24	26
	600 x 600	3	2-S	22	22	26
UP TO 750 Pa	300 x 300	2	1-S	22	22	26
	400 x 500	2	1-S,1-T,1-B	20	20	26
	600 x 600	3	2-S,1-T,1-B	20	20	24
1000 Pa to 2500 Pa	300 x 300	2	1-S,1-T,1-B	20	20	26
	400 x 500	3	2-S,1-T,1-B	20	18	24
	600 x 600	3	2-S,2-T,2-B	18	18	24

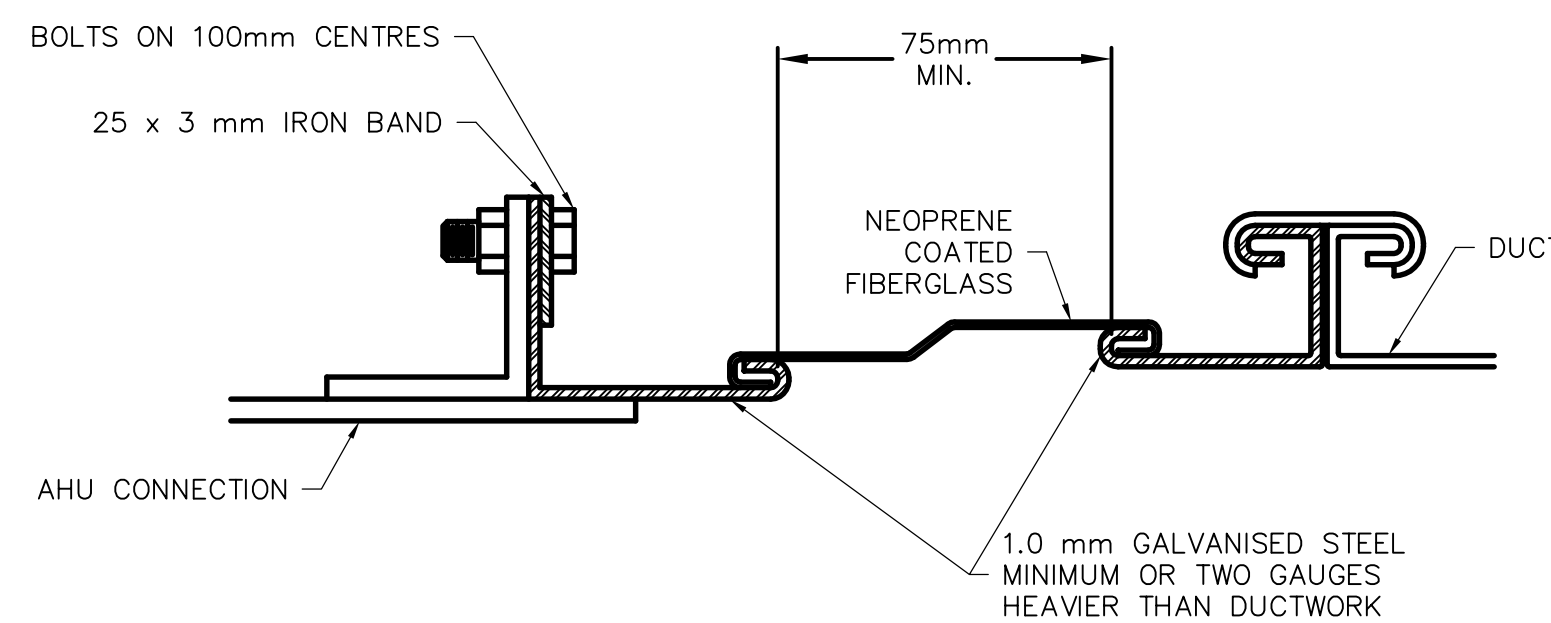
S: SIDE OPPOSITE HINGE, T: TOP, B: BOTTOM

3 DUCT ACCESS DOOR DETAILS
M05 SCALE N.T.S.

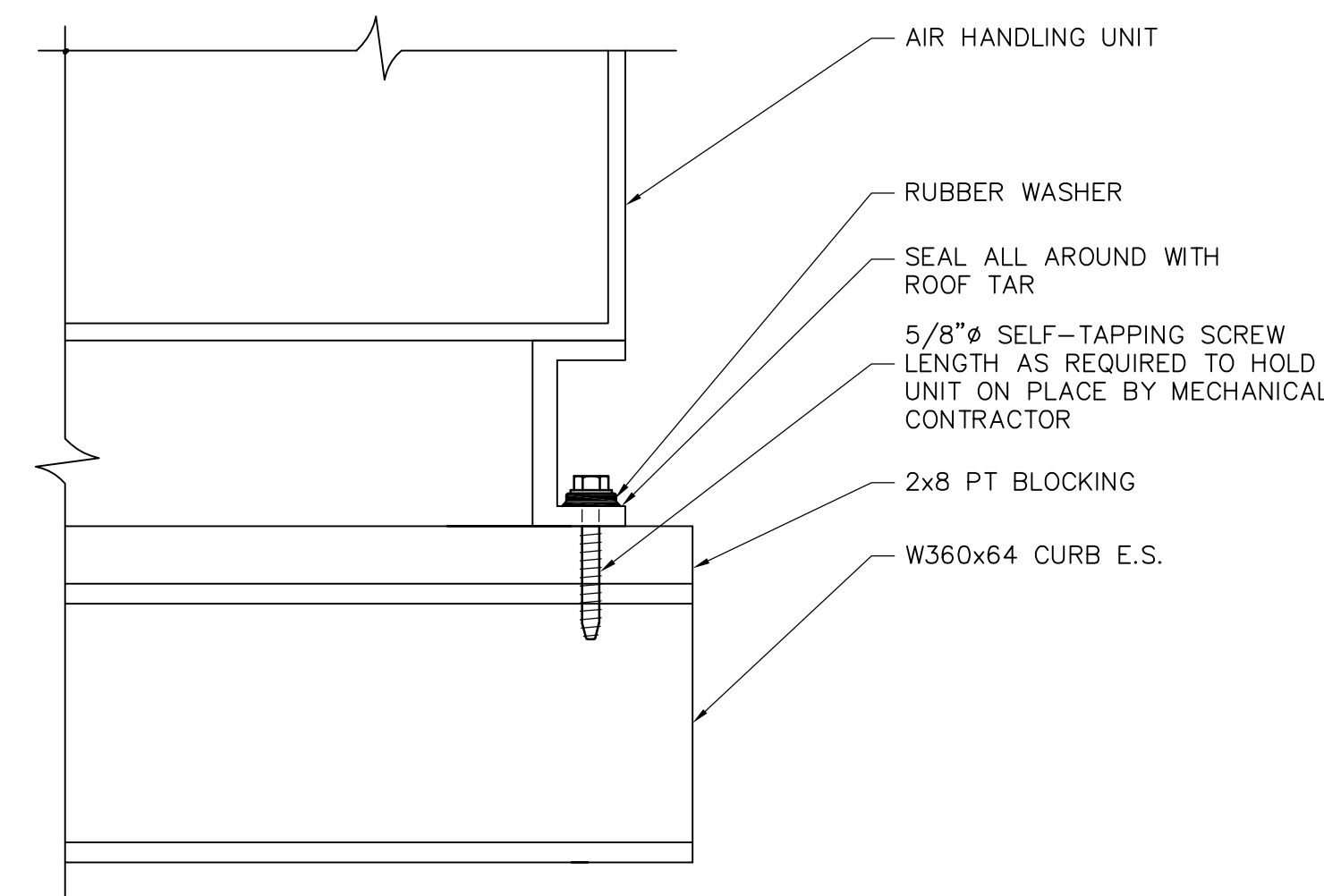


- (A) FAN SECTION INLET, 54"x54"
 - (B) E/A SECTION DAMPER & HOOD
 - (C) E/A SECTION OUTLET, 68"x50"
 - (D) O/A MIXING SECTION INLET, 68"x50"
 - (E) RE-CIRCULATION BY-PASS DAMPER
 - (F) O/A MIXING SECTION OUTLET, 60"x60"
 - (G) O/A DAMPER & HOOD
- NOTE: FAN SECTION & E/A SECTION IS ONE UNIT

2 AIR HANDLING UNIT COMPONENT DETAIL
M05 SCALE N.T.S.



4 FLEXIBLE DUCT FAN CONNECTION DETAIL
M05 SCALE N.T.S.



5 BASE RAIL MOUNTING DETAIL
M05 SCALE N.T.S.

NO.	REVISION/DESCRIPTION	DC BY	DATE
01	ISSUED FOR ADDENDUM NO.1	DC	2009.04.20
00	ISSUED FOR TENDER	DC	2009.04.15

AECOM

DRAWN BY: DL
CHECKED BY: USER APPROVAL
DATE: 2009.03.09

CITY OF WINNIPEG
PLANNING, PROPERTY AND DEVELOPMENT DEPARTMENT
CIVIC ACCOMMODATIONS DIVISION
300 - 65 GARRY ST. R3C 4K4

PROJECT
MILLENNIUM LIBRARY
NOISE ABATEMENT
PHASE 1 - BID OPP. NO. 182-2009
251 DONALD STREET, WINNIPEG, MANITOBA

SHEET TITLE
MECHANICAL
DETAILS

APEGM
Certificate of Authorization
AECOM Canada Ltd.
Original dated on:
No. 4671 Date:

SCALE	PROJECT NO.	SHEET NO.
AS SHOWN	2007-003	M05