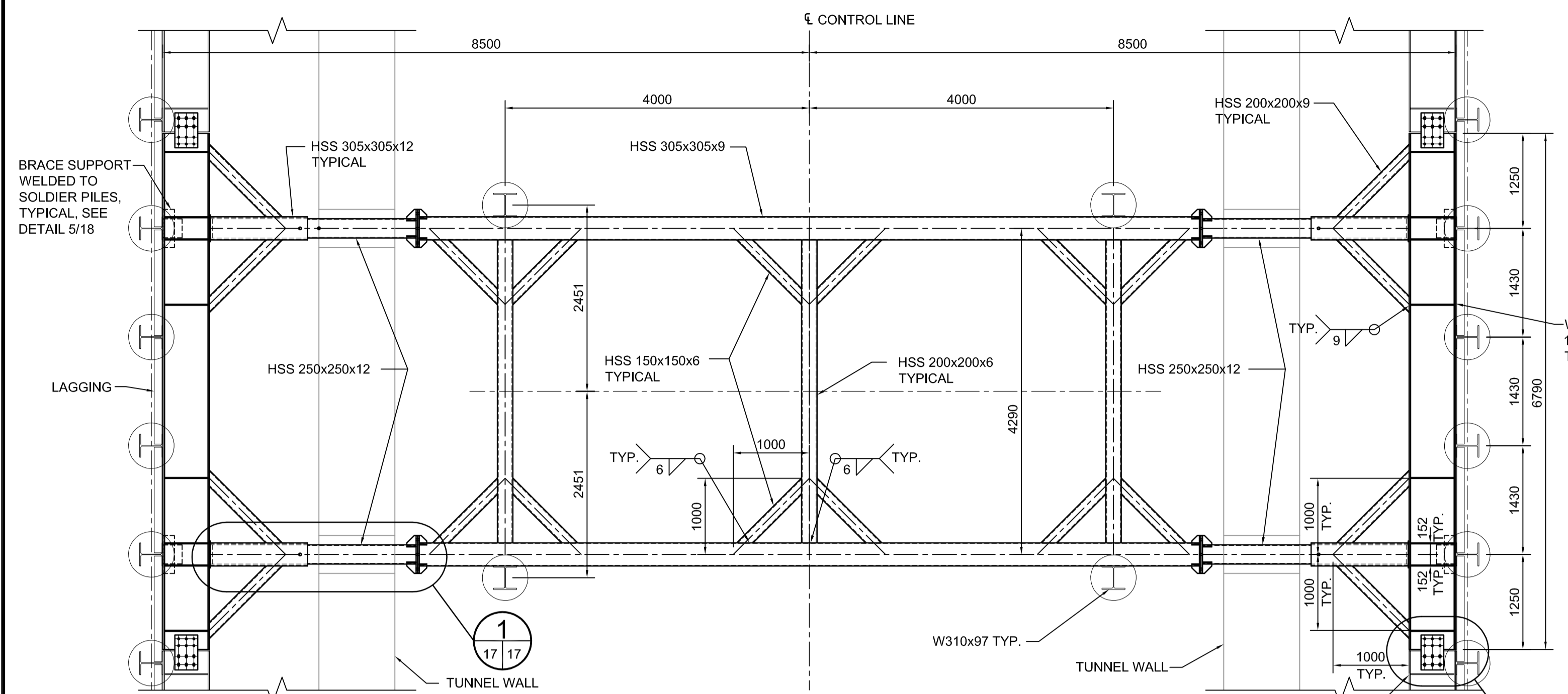


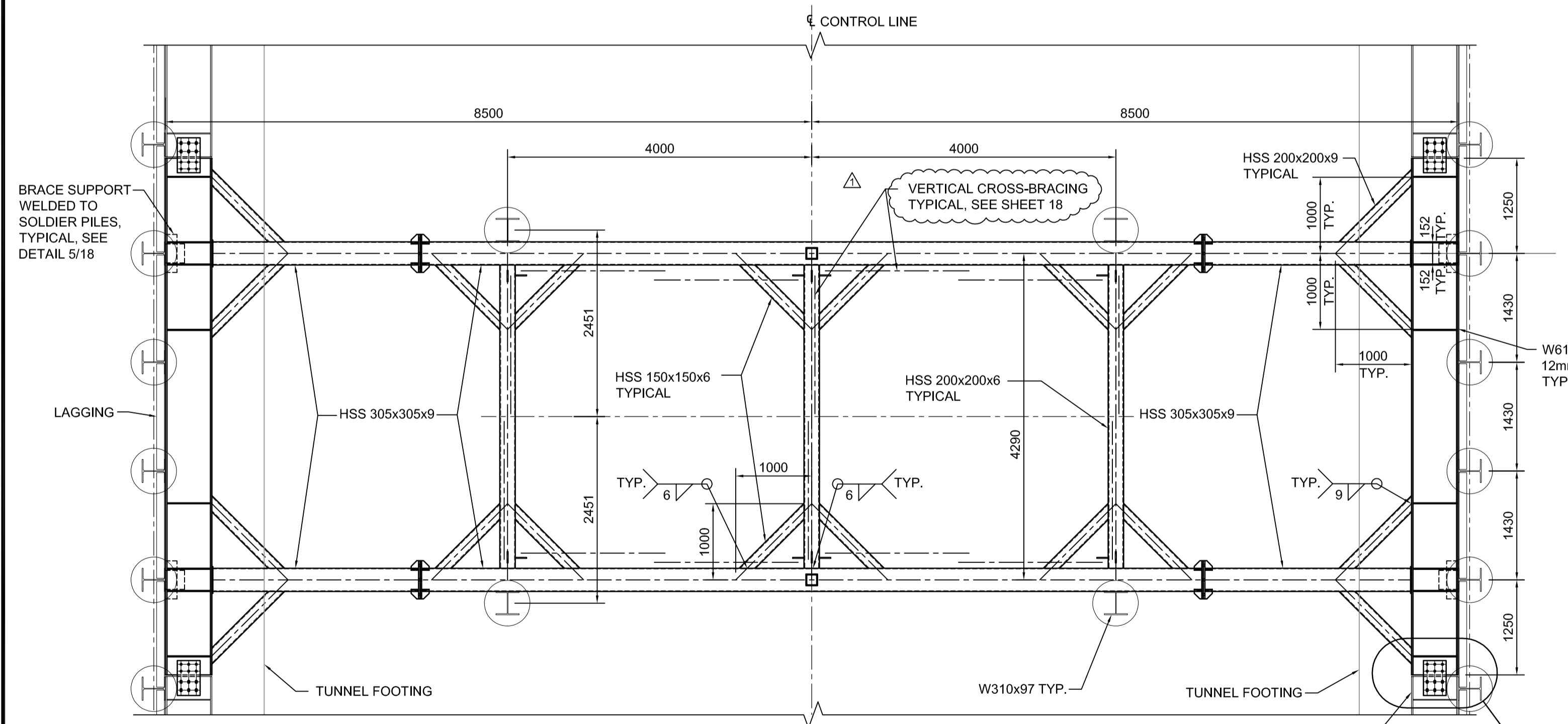
L:\work\112000\112000-02-cad\Proj\_Drawings\STR\CONTR\577-2009\_BRACED\_SHORING\_DETAILS\_SHEET\_1\_OF\_2\_C4S1005-T-RO.dwg



**BRACE TYPE I**  
SCALE 1:50

(A) 16 | 17

(2) 17 | 17

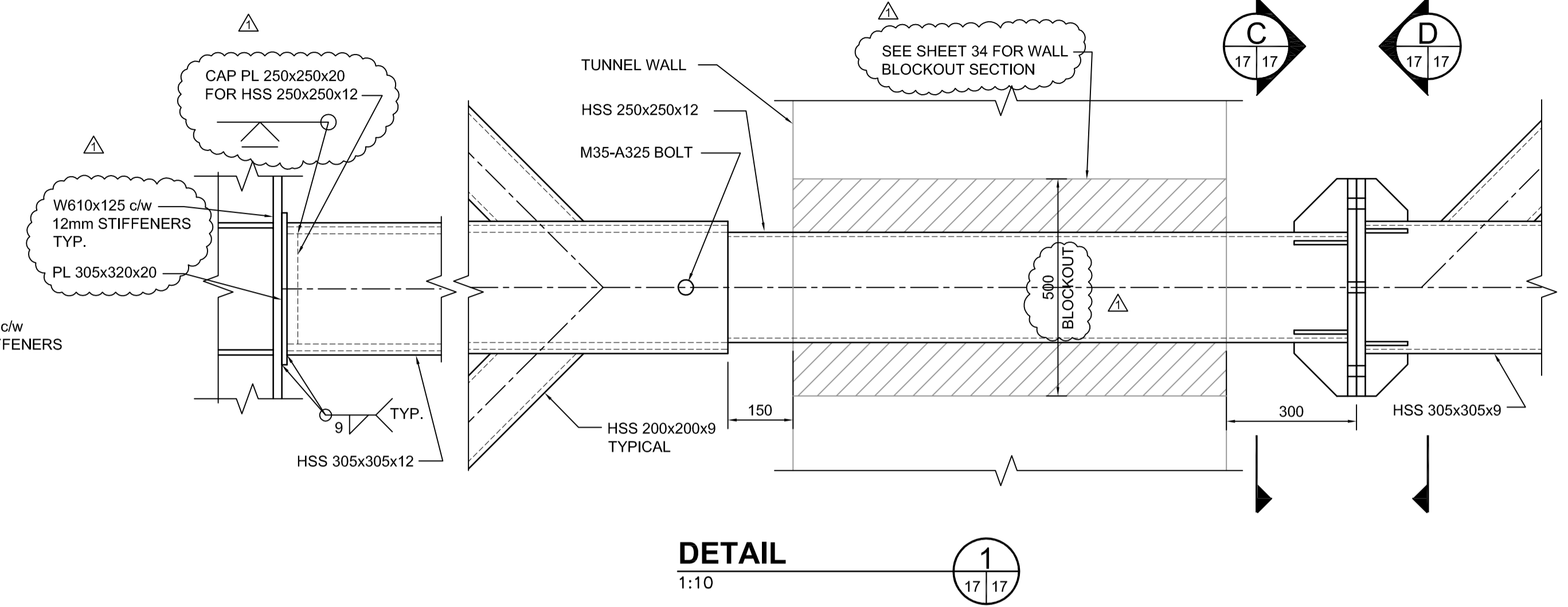


**BRACE TYPE II**  
SCALE 1:50

(B) 16 | 17

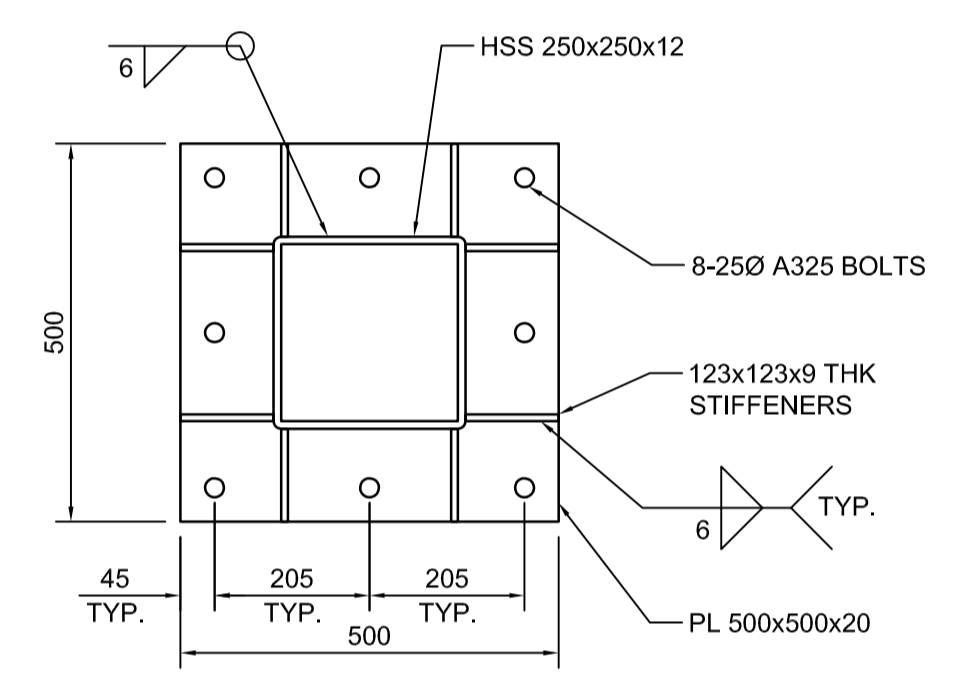
(2) 17 | 17

- SOLDIER PILE LAGGING**
- LAGGING SHALL BE SPECIES (S-P-F) BEAMS AND STRINGERS, GRADE NUMBER 1 OR BETTER.
  - LAGGING SHALL BE 150x150 FOR UPPER 2m AND 200x200 FOR BELOW 2m.



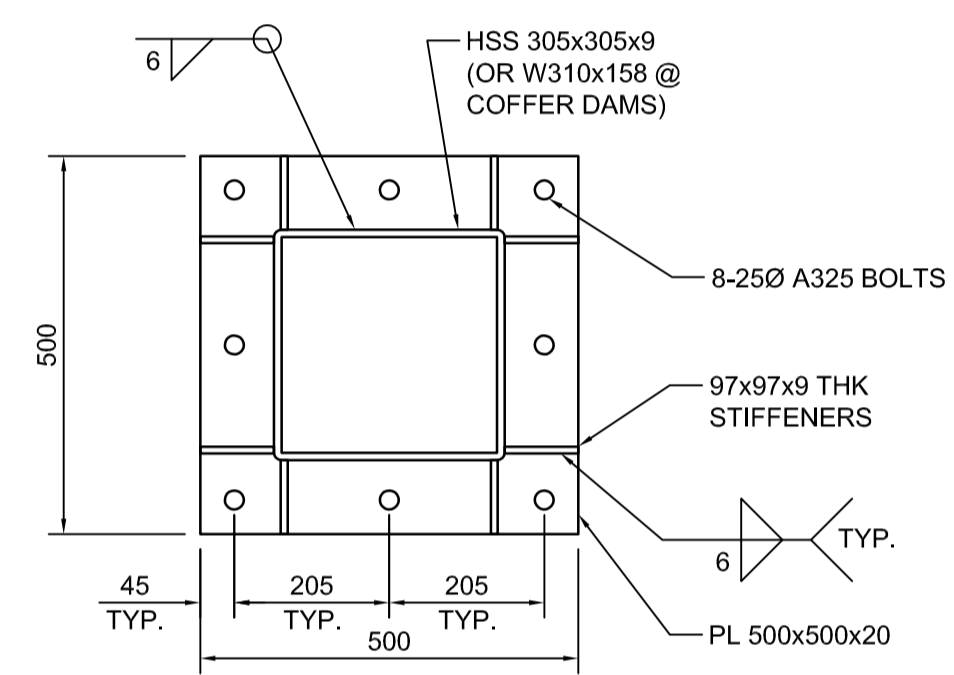
**DETAIL**  
1:10

(1) 17 | 17



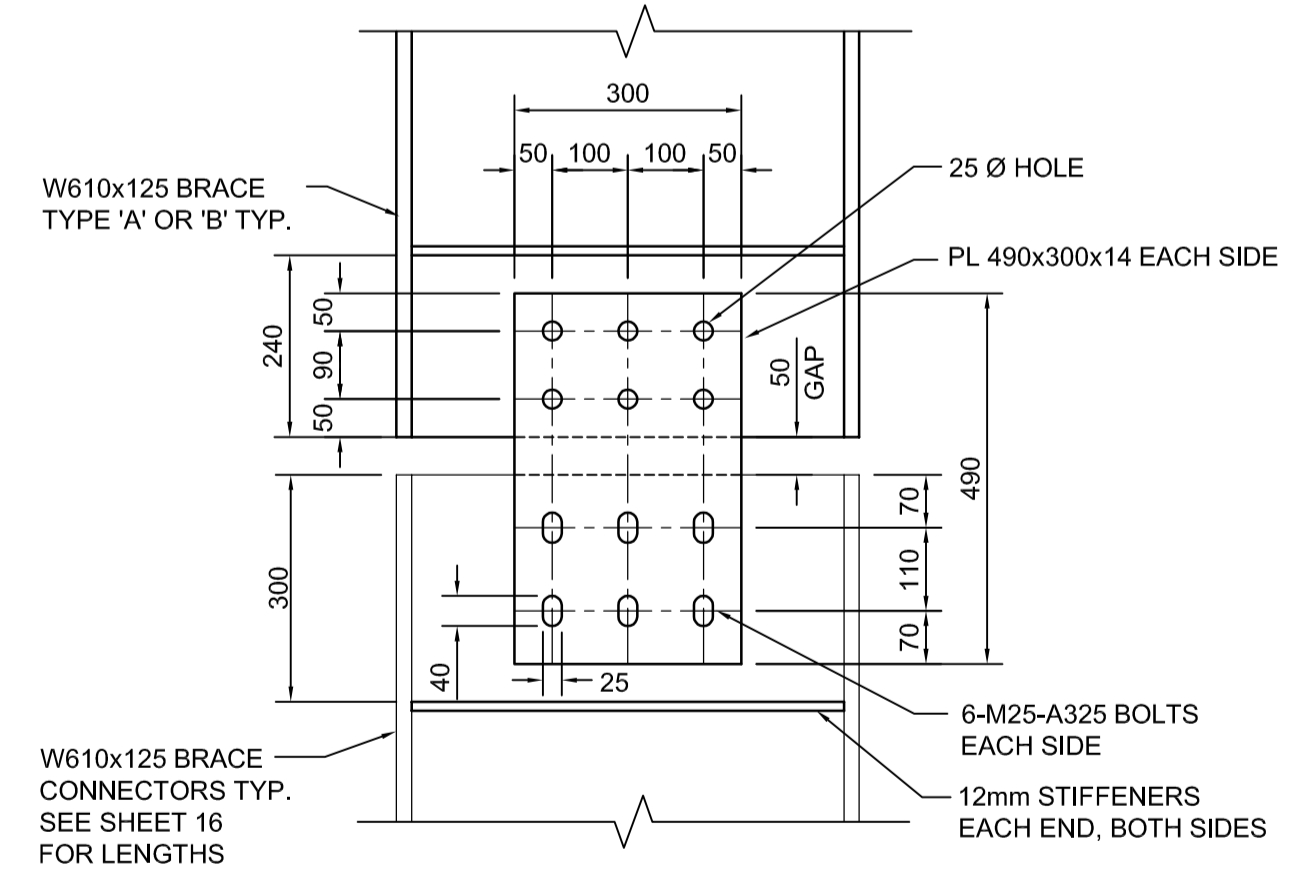
**SECTION**  
1:10

(C) 17 | 17



**SECTION**  
1:10

(D) 17 | 17



**DETAIL**  
1:10

(2) 17 | 17



DO NOT SCALE THIS DOCUMENT. ALL MEASUREMENTS MUST BE OBTAINED FROM STATED DIMENSIONS. This drawing has been prepared for the use of AECOM's client and may not be used, reproduced or relied upon by third parties, except as agreed by AECOM and its client, as required by law or for use by governmental reviewing agencies. AECOM accepts no responsibility, and denies any liability whatsoever, to any party that modifies this drawing without AECOM's express written consent.

LOCATION UNDERGROUND	APPROVED STRUCTURES	B.M. ELEV.	DESIGNED BY	FK
SUPV. U/G STRUCTURES COMMITTEE <td>DATE <td></td> <td>DRAWN BY</td> <td>KA</td> </td>	DATE <td></td> <td>DRAWN BY</td> <td>KA</td>		DRAWN BY	KA
			CHECKED BY	RE/KC
			APPROVED BY	EBL
			HOR. SCALE	AS NOTED
			VERTICAL	
			DATE	2009.10.13
NO.	REVISIONS	DATE	BY	DATE
1	ISSUED FOR ADDENDUM 4	11.04.2009	KA	
0	ISSUED FOR TENDER	10.13.2009	KA	

**AECOM**

RELEASER FOR CONSTRUCTION

ENGINEER'S SEAL

PROVINCE OF MANITOBA ORIGINAL SIGNED BY F.A. KEMP 2009/10/13 REGISTERED PROFESSIONAL ENGINEER

CONSULTANT PROJECT NO. 088813

**THE CITY OF WINNIPEG**  
TRANSIT DEPARTMENT

Winnipeg

SOUTHWEST RAPID TRANSIT CORRIDOR - STAGE 1  
TRANSITWAY TUNNEL AT CN RIVER SUBDIVISION  
MILEAGE 1.38 & ASSOCIATED WORKS

BRACED SHORING DETAILS SHEET 1 OF 2

CITY DRAWING NUMBER: U237-09-17  
SHEET 17 OF 73  
CONSULTANT DRAWING NUMBER: C4-S1005-T