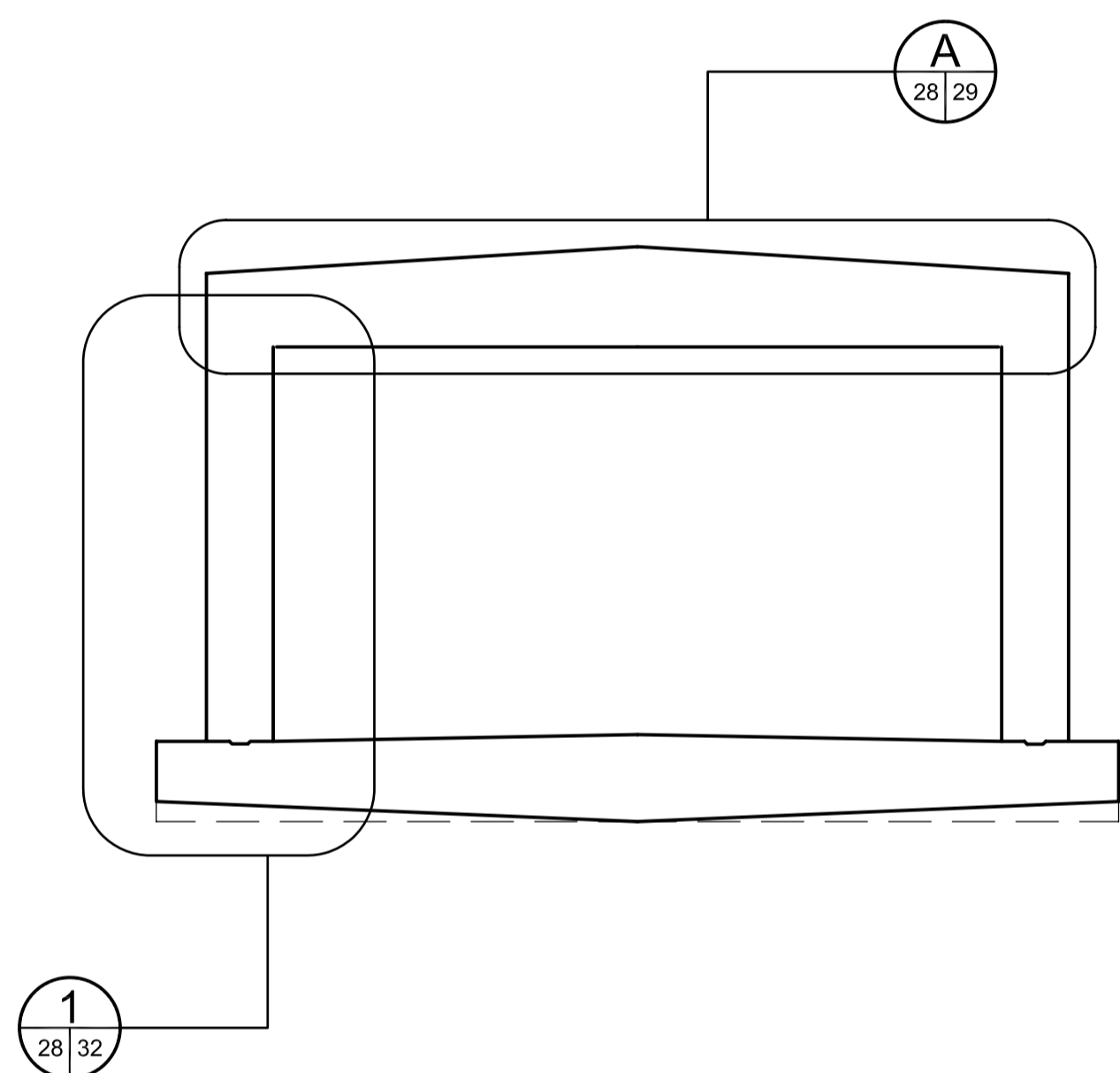
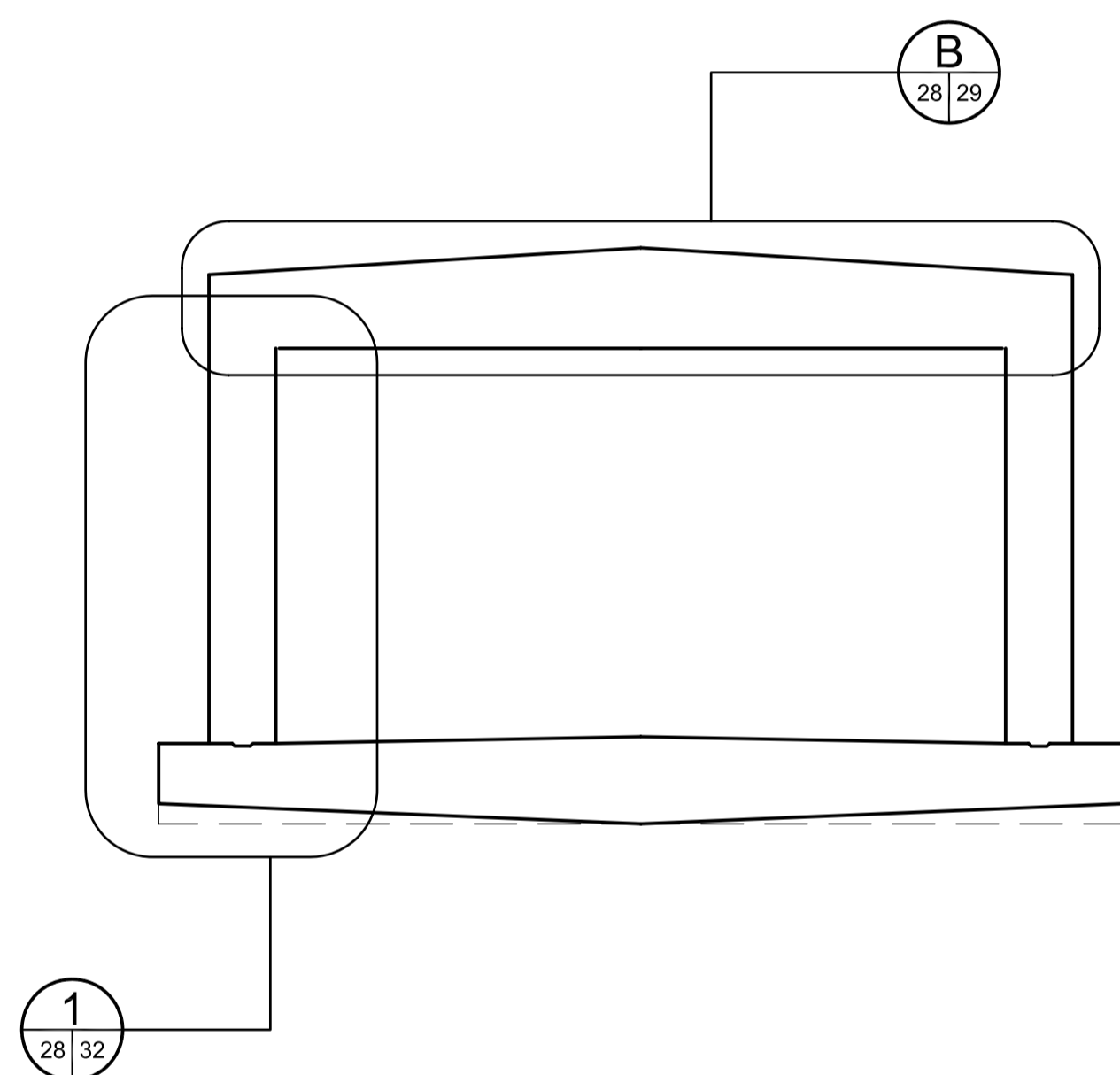


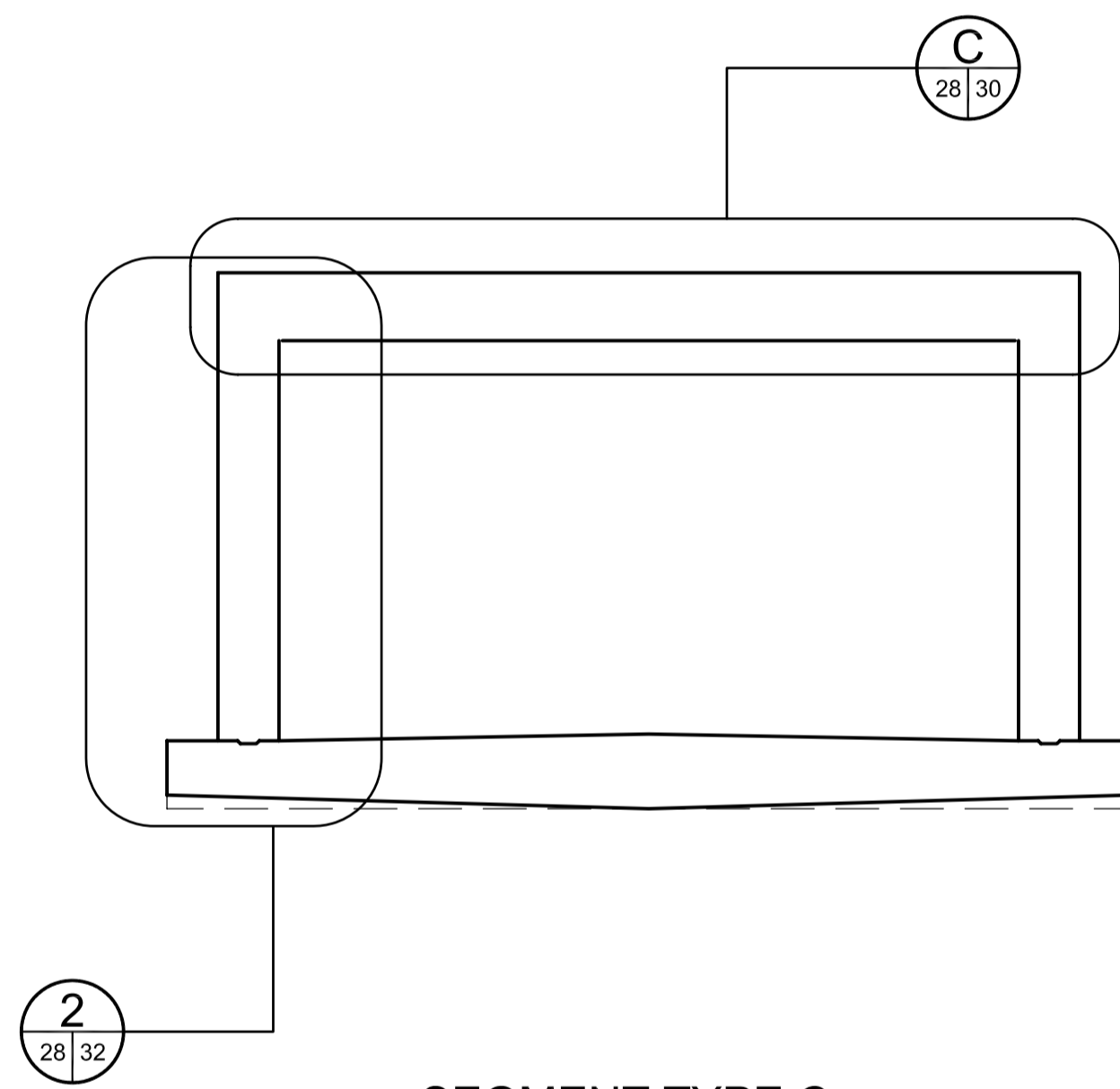
TUNNEL LAYOUT
SCALE 1:300



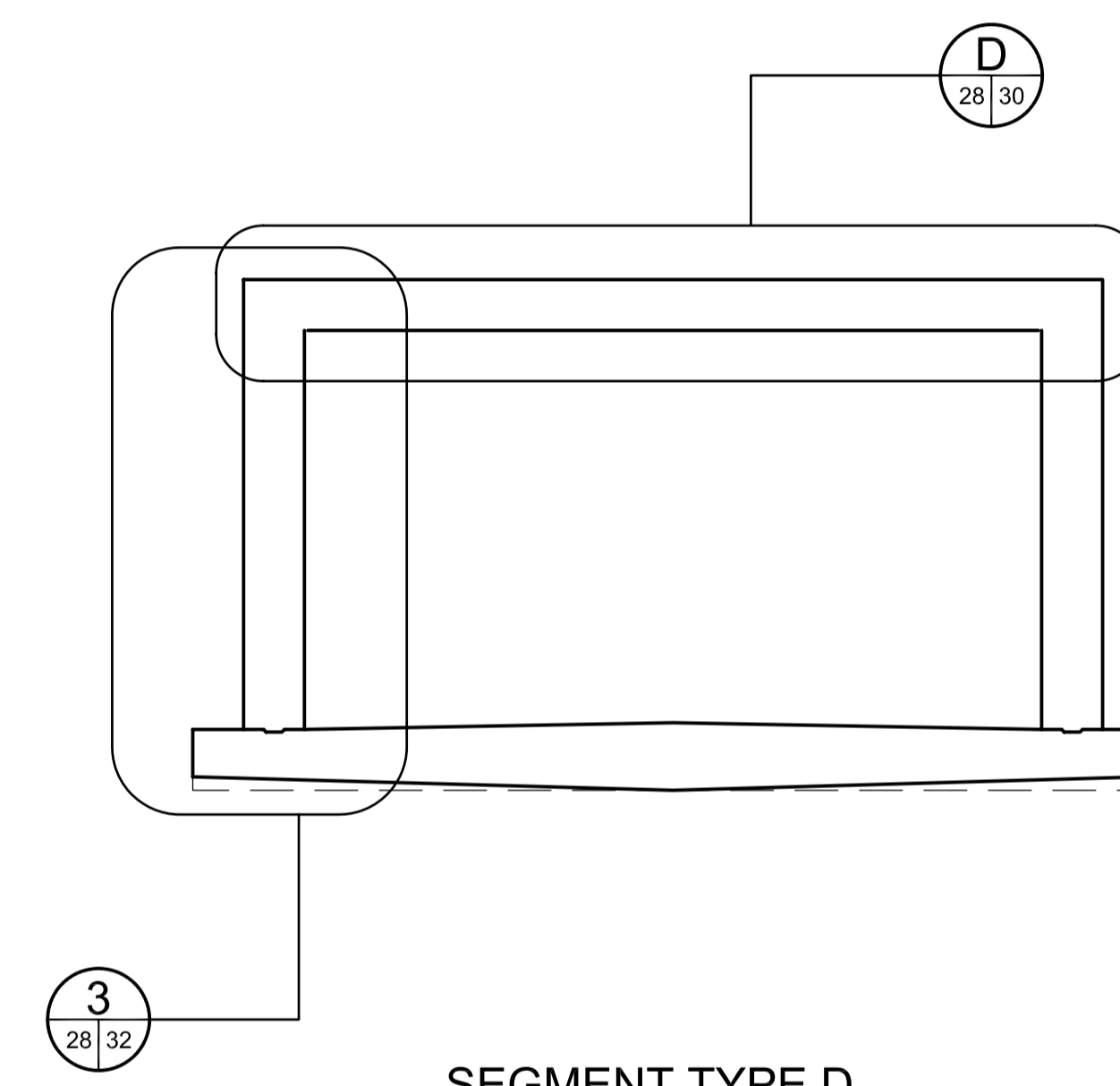
SEGMENT TYPE A
SCALE 1:100



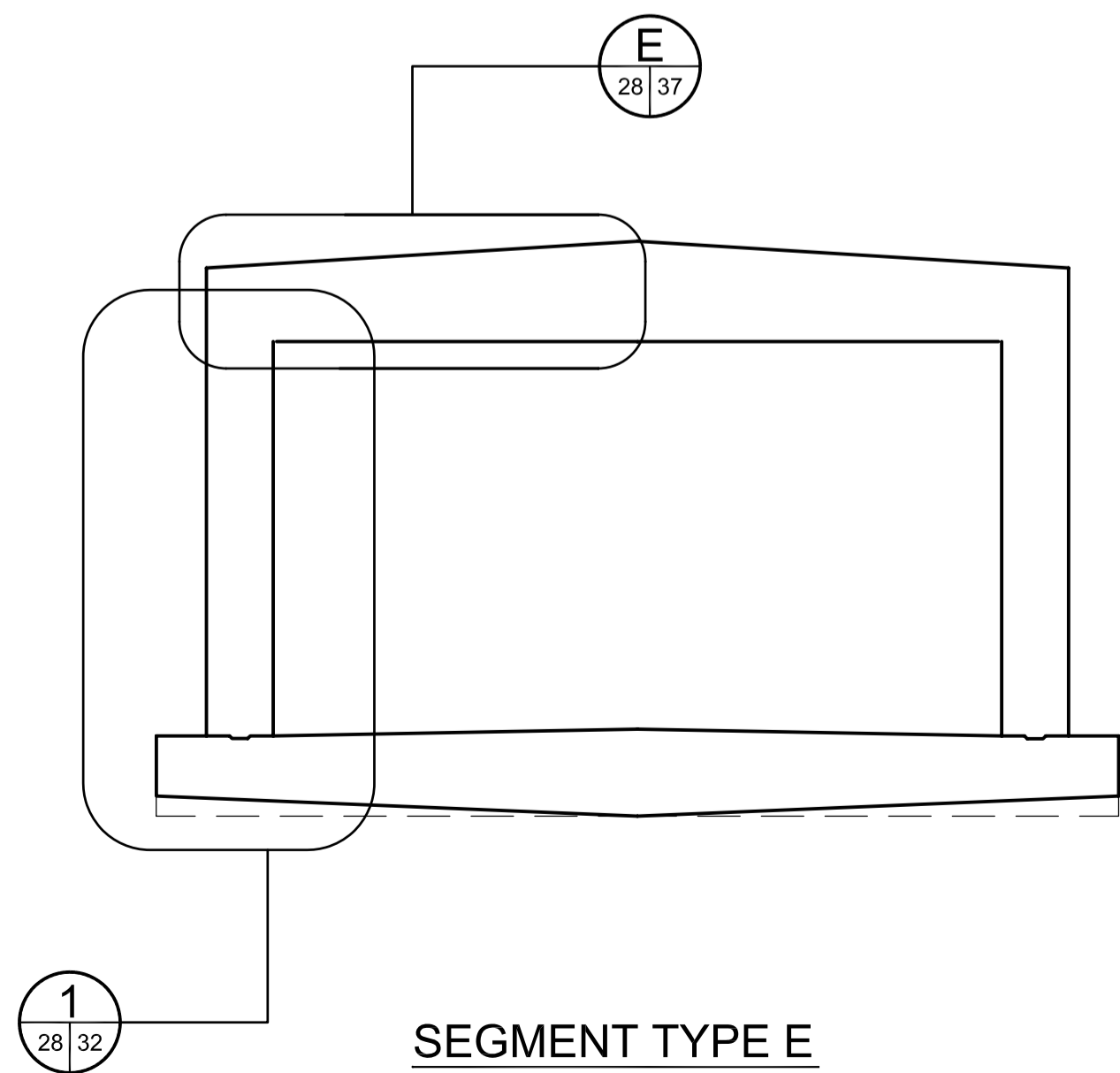
SEGMENT TYPE B
SCALE 1:100



SEGMENT TYPE C
SCALE 1:100



SEGMENT TYPE D
SCALE 1:100



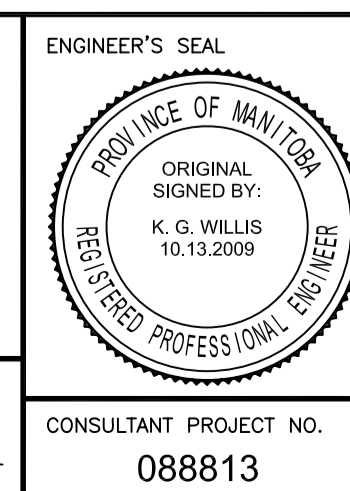
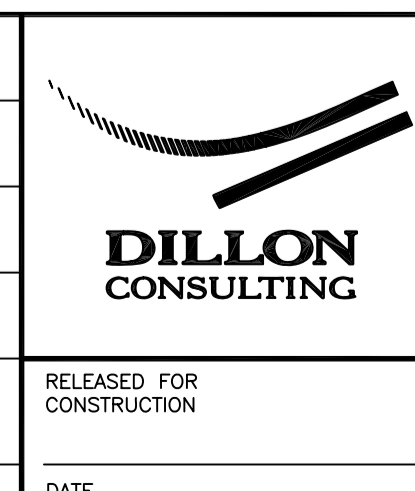
SEGMENT TYPE E
SCALE 1:100



LOCATION UNDERGROUND	APPROVED STRUCTURES	B.M. ELEV.
SUPV. U/G STRUCTURES COMMITTEE	DATE	
NOTE: LOCATION OF UNDERGROUND STRUCTURES AS SHOWN ARE BASED ON THE BEST INFORMATION AVAILABLE BUT NO GUARANTEE IS GIVEN THAT ALL EXISTING UTILITIES ARE SHOWN OR THAT THE GIVEN LOCATIONS ARE EXACT. CONFIRMATION OF EXISTENCE AND EXACT LOCATION OF ALL SERVICES MUST BE OBTAINED FROM THE INDIVIDUAL UTILITIES BEFORE PROCEEDING WITH CONSTRUCTION.		
1	ISSUED WITH ADDENDUM #4	11/04/2009 RCB
0	ISSUED FOR TENDER	10/13/2009 RCB
NO.	REVISIONS	DATE BY

DESIGNED BY	KGW
DRAWN BY	RCB
CHECKED BY	KGW
APPROVED BY	DPK
HOR. SCALE	AS SHOWN
VERTICAL	AS SHOWN
DATE	2009/06/24

RELEASED FOR CONSTRUCTION	DATE
---------------------------	------



THE CITY OF WINNIPEG TRANSIT DEPARTMENT	
SOUTHWEST RAPID TRANSIT CORRIDOR - STAGE 1 TRANSITWAY TUNNEL AT CN RIVERS SUBDIVISION MILEAGE 1.38 & ASSOCIATED WORKS	
CITY DRAWING NUMBER U237-09-28	SHEET 28 OF 73
CONSULTANT DRAWING NUMBER C4-S1105-T	