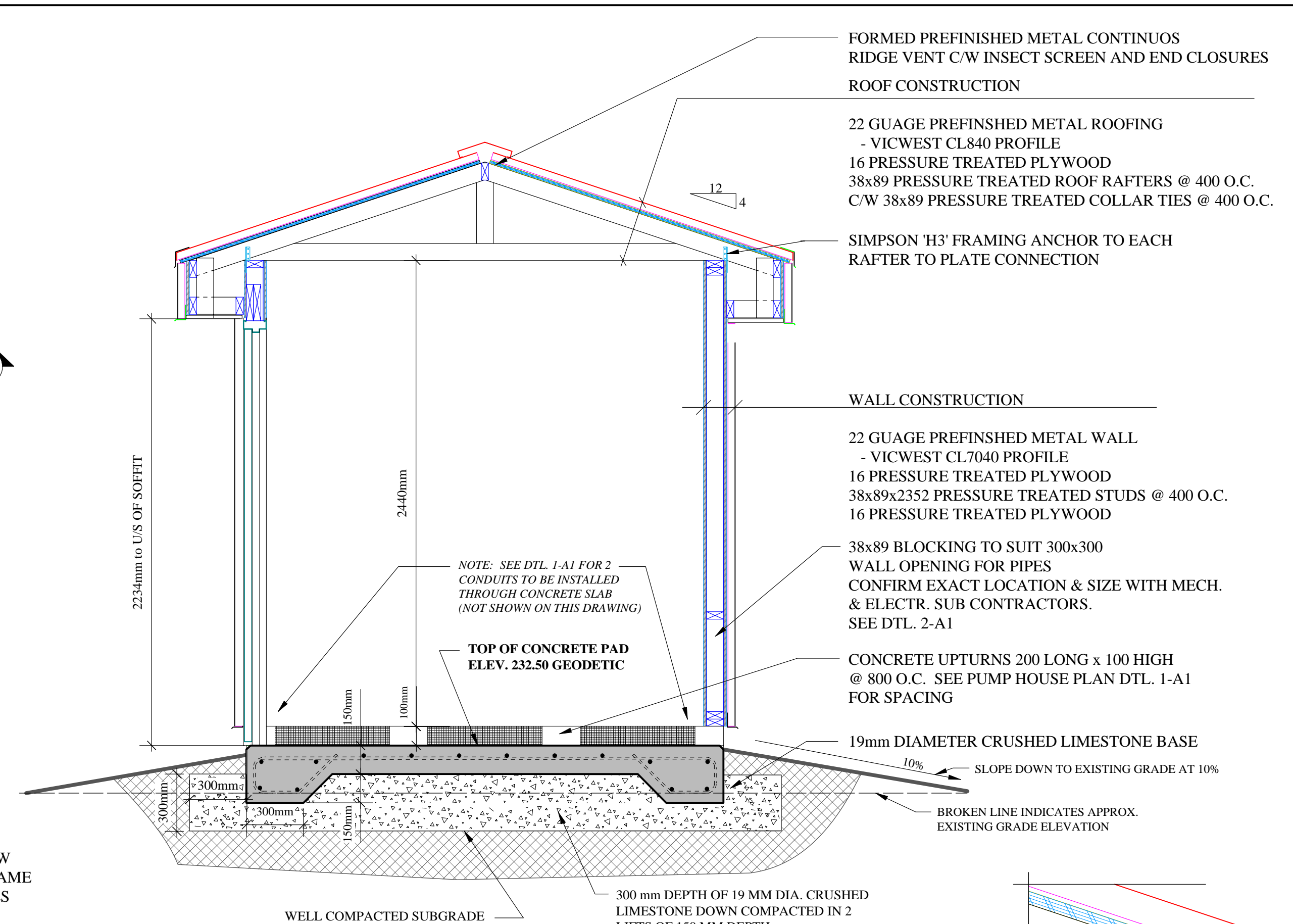
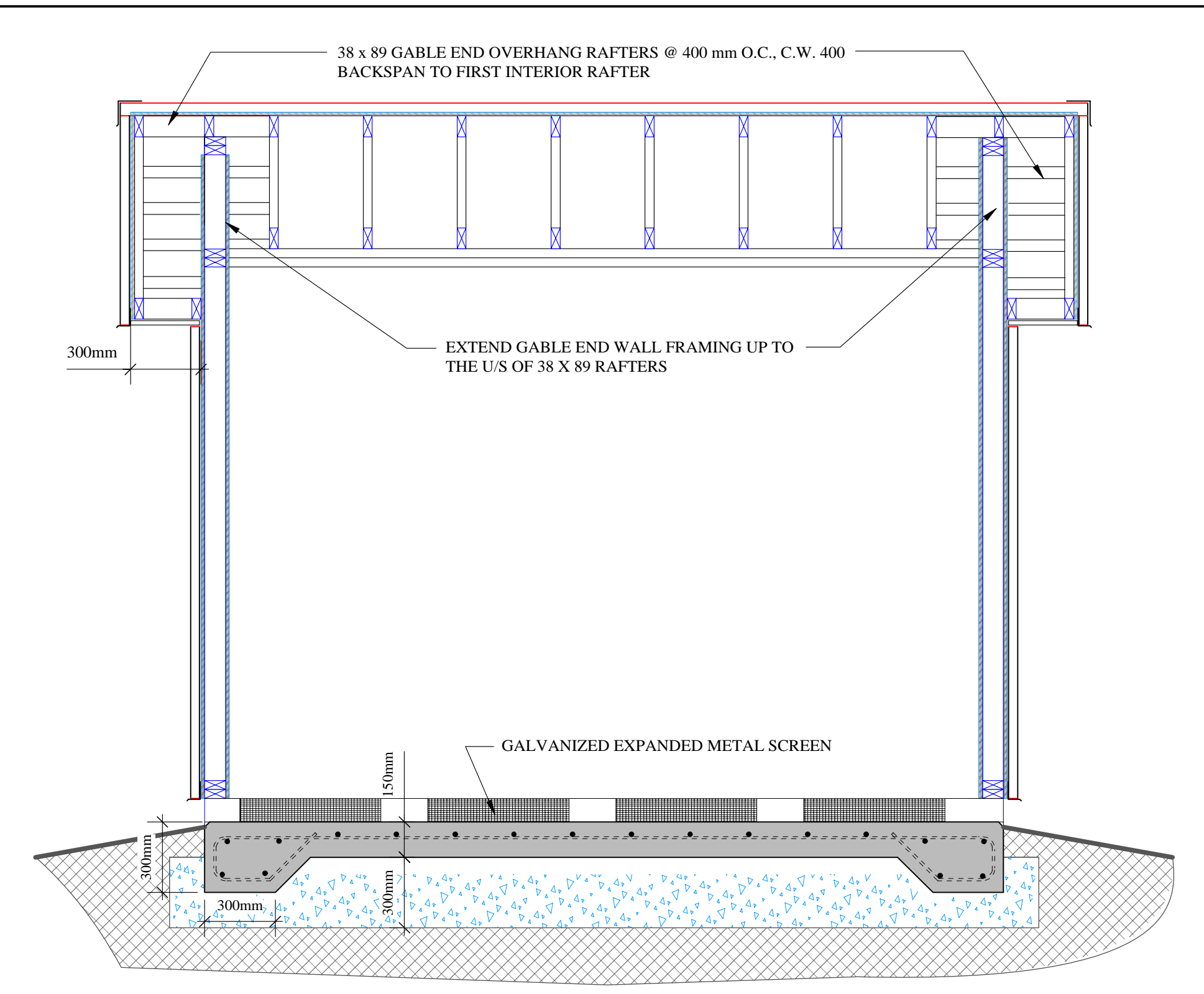


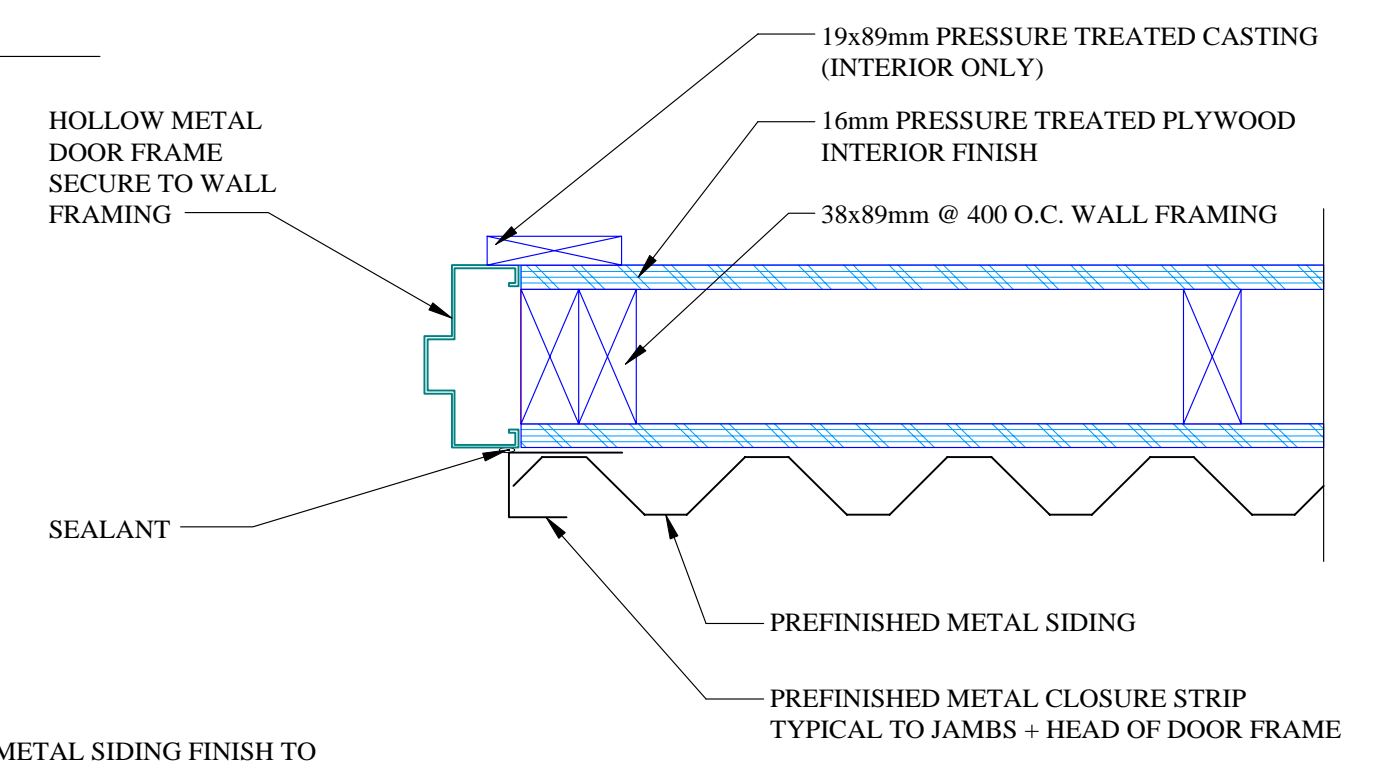
1 PUMP HOUSE PLAN
Scale: 1:20



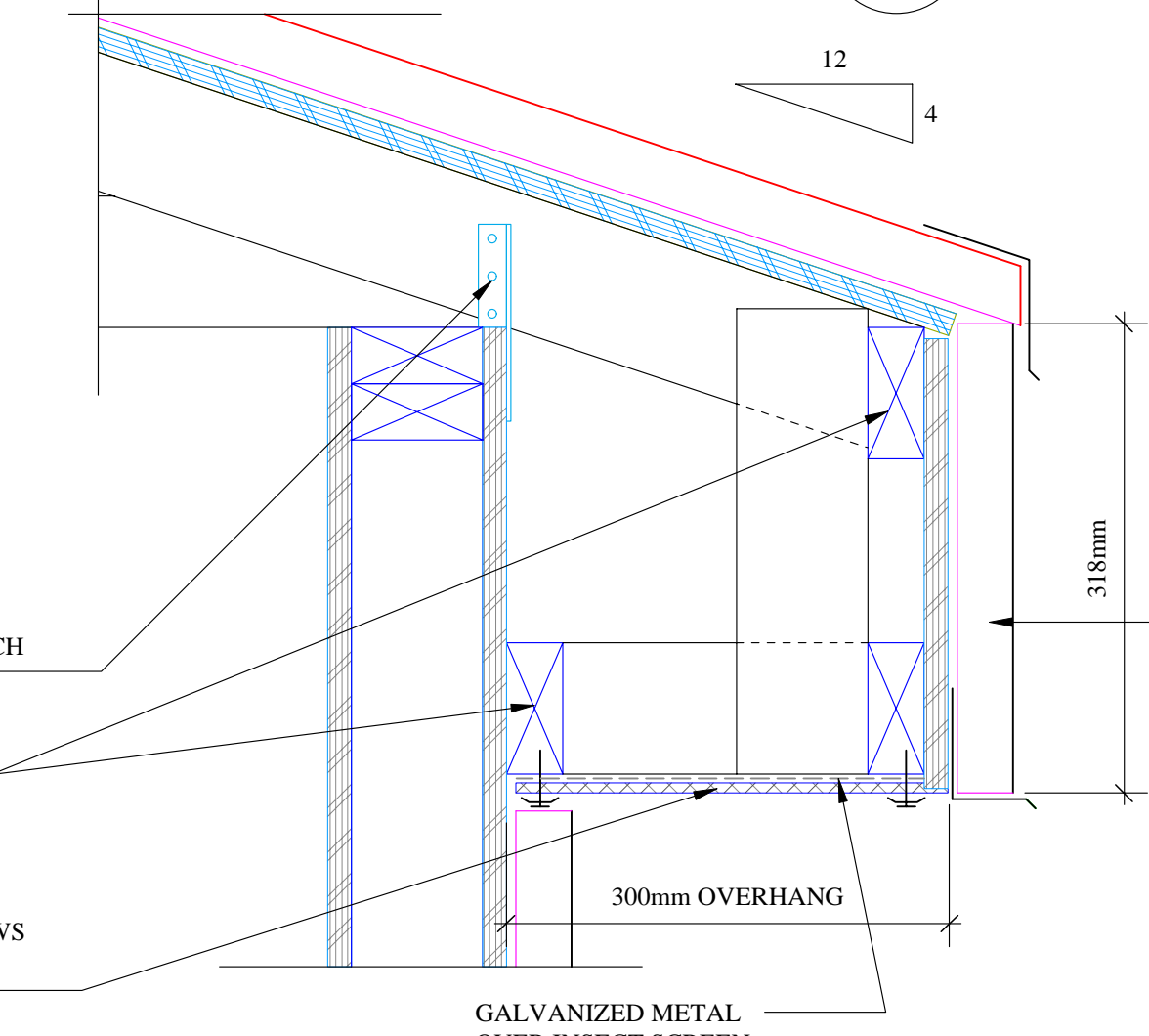
4 SECTION A-A
Scale: 1:20



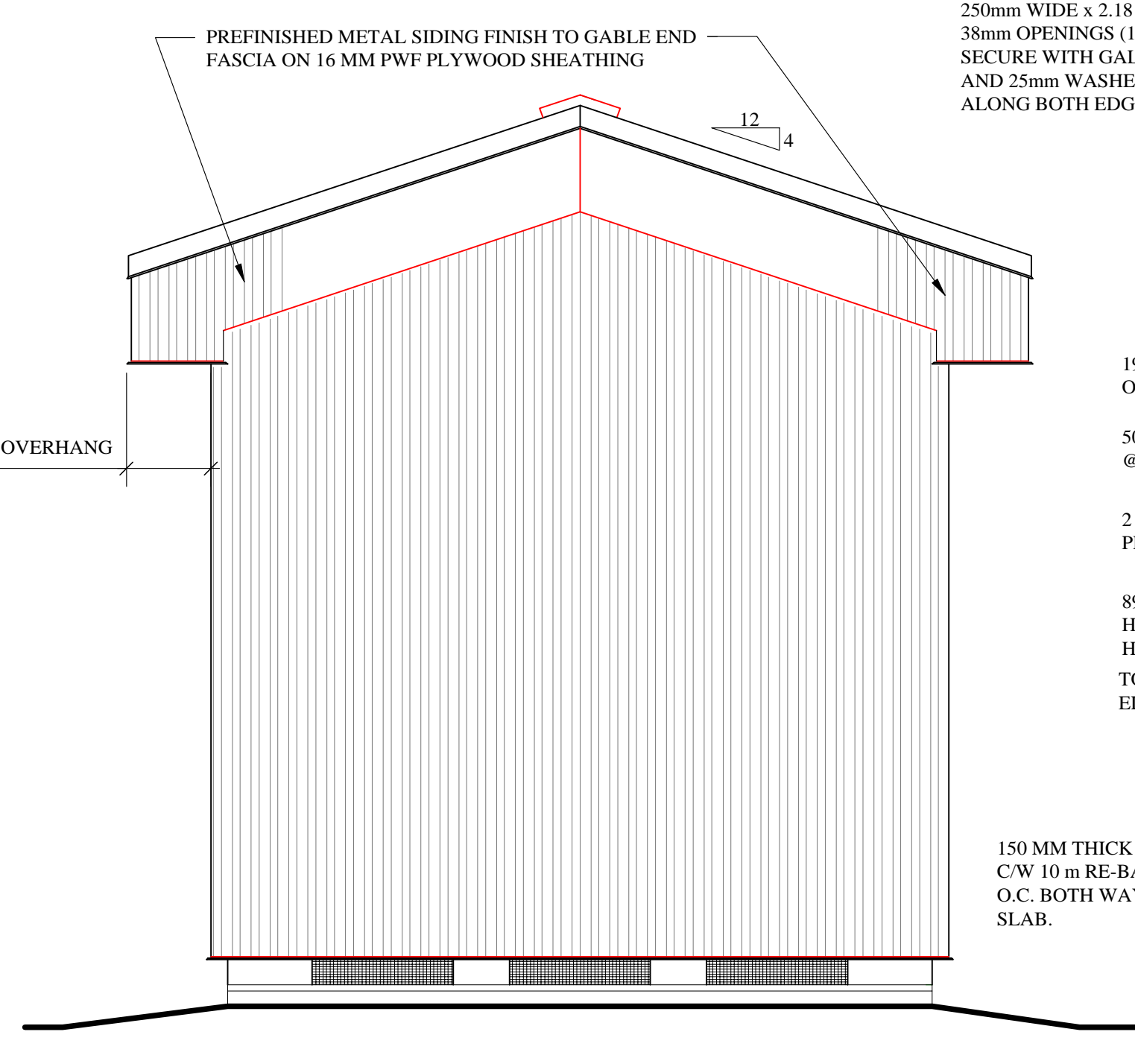
5 SECTION B-B
Scale: 1:20



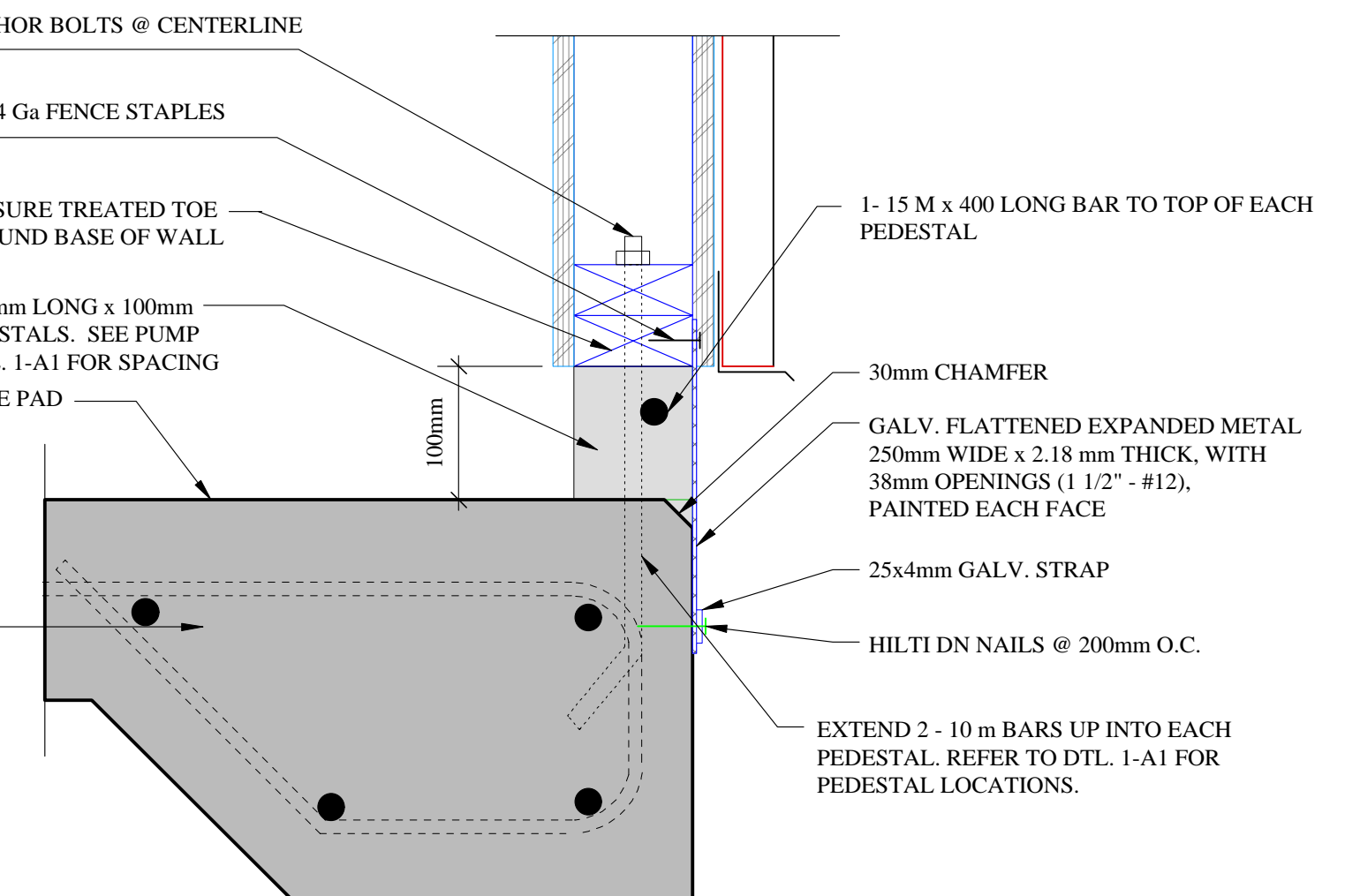
6 WALL DETAIL
Scale: 1:5



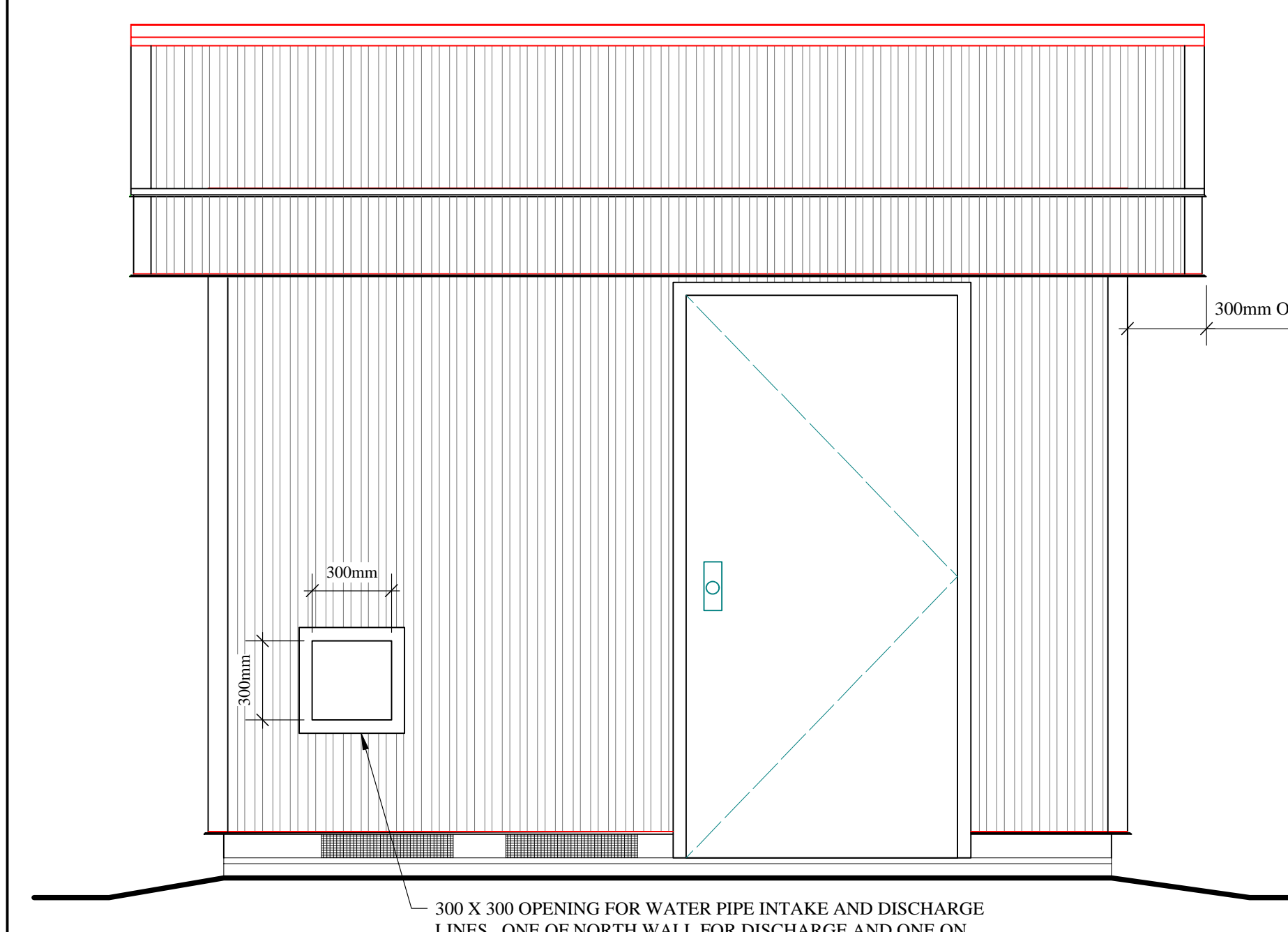
7 SOFFIT DETAIL
Scale: 1:5



3 PUMP HOUSE GABLE ELEVATION
Scale: 1:20



8 THICKEN SLAB/CURB EDGE DETAIL



2 PUMP HOUSE NORTH ELEVATION
Scale: 1:20

PUMPHOUSE DOOR, FRAME + HARDWARE

DOOR + FRAME

914x2134mm 14GAUGE STEEL HOLLOW METAL DOOR HUNG IN A WELDED 16 GAUGE COLD FORMED STEEL FRAME C/W APPROPRIATE WALL AND SILL ANCHORS TO SUIT EXTERIOR WALL CONSTRUCTION. DOOR + FRAME TO BE MANUFACTURED FROM WIPE COATED GALVANIZED STEEL READY FOR SITE PAINTING. DOOR TO BE (R-11) POLYURETHANE FILLED CAVITY.

HARDWARE

HINGE: 1 1/2" PAIR FBB179 NRP. 4"x4"
 LOCKSET: SARGENT 637 LOCKSET 'ORBIT' TRIM KEYPED TO MATCH DEADBOLT
 DEADBOLT: SCHAGE B760 DEADBOLT
 CHECK CHAIN: HEAVY DUTY CHECK CHAIN C/W COVER C26D

1	REVISE SIDING/ROOFING TYPE	K.RECH	02/19/09
PROJECT TITLE			
JOHN BLUMBERG SOCCER COMPLEX			
NO. REVISIONS BY DATE			
KEN RECH LANDSCAPE ARCHITECTS INC. 1480 Wellington Crescent Winnipeg Manitoba Fax 489-6852 R3N 0B3 Tel(204) 489-6616			
DRAWING TITLE			
NEW IRRIGATION PUMPHOUSE BUILDING			
DRAWN BY	SCALE	SHEET NO.	
K.R.	AS NOTED	A1.R1	
PRINT DATE	DATE		
FEB.19/09	JAN. 29/09		
FILE NO.	REVISION		
08-22	1		