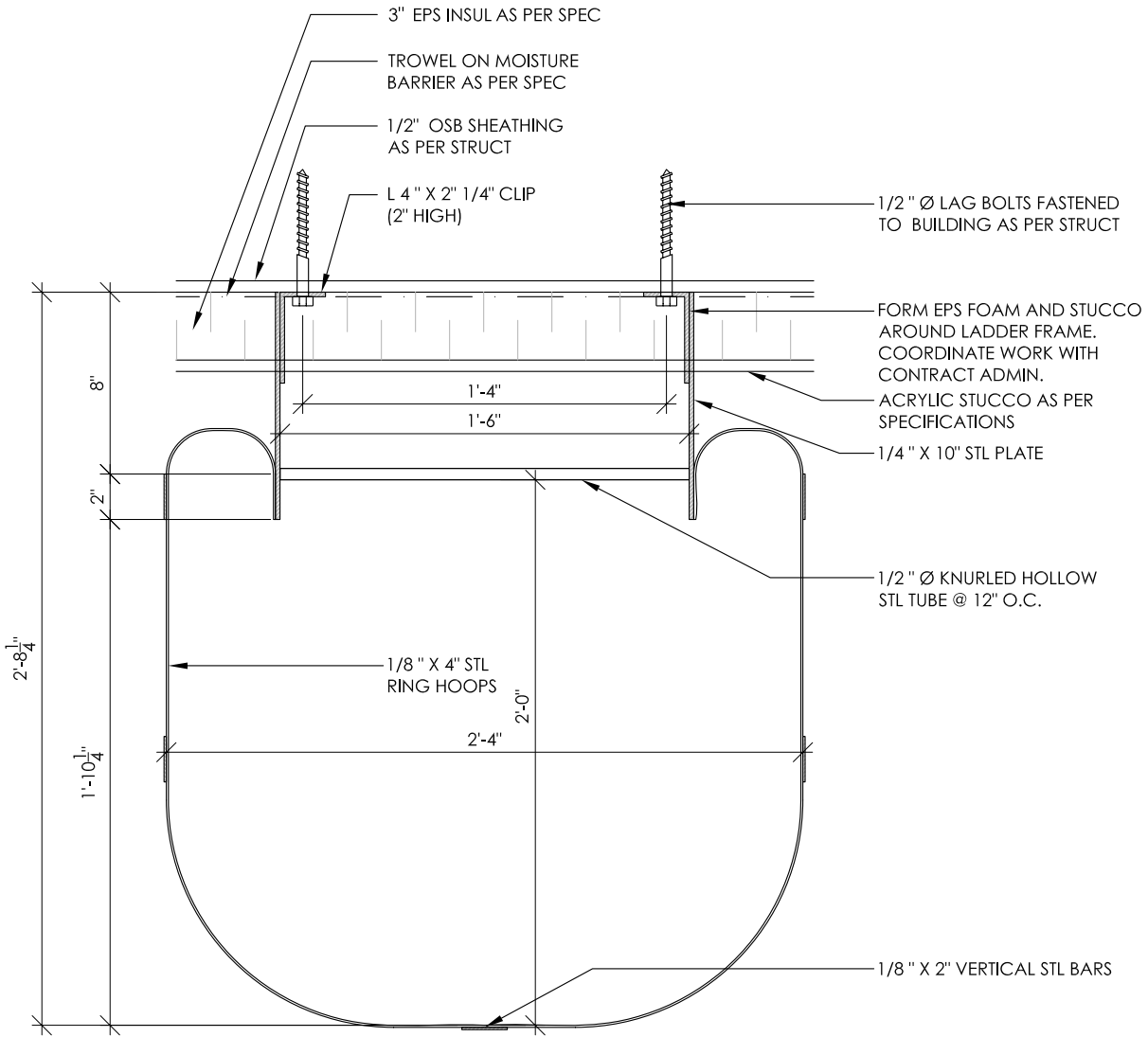
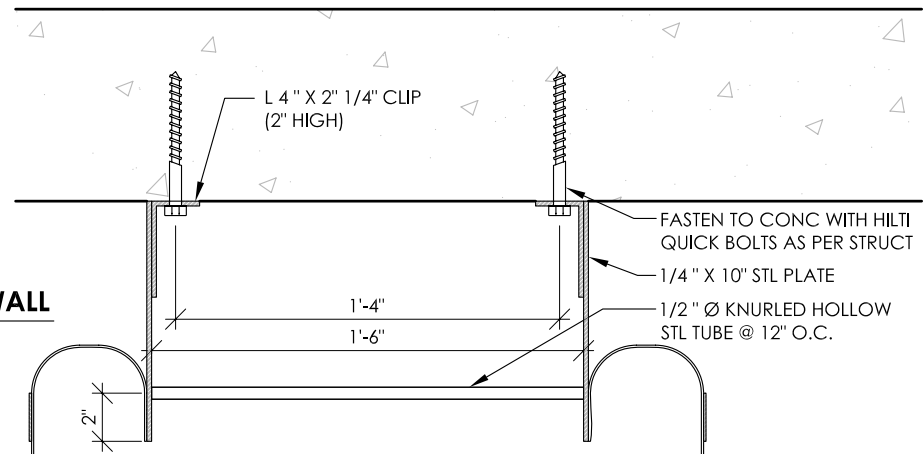


\\FILESERVER\Studio Store\002 Current Projects\0727 Assiniboine Park Zoo Pavilion\6 Contract Administration\6.1 Contract Documents\6.1.4 Addenda\addendum 1 drawings\0727 - ADD 1.0 Ladder Details.dwg



1 PLAN VIEW OF LADDER
1 1/2" = 1'-0"



2 LADDER AT CONCRETE WALL
1 1/2" = 1'-0"

Project:
Assiniboine Park Zoo
Asiatic Lion Pavilion
Winnipeg, MB

Drawing Title:
ACCESS LADDER
DETAILS

Project Number: 0727
Date: 06_MAR_09
ADDENDUM

Sheet No:
ADD
1.11a

678 MAIN STREET WINNIPEG, MB R3B 1E4
204 488 3857 tel. 204 488 0216 fax. www.bridgmancollaborative.ca

bridgmancollaborative
ARCHITECTURE

bridgmancollaborative

This drawing is property of the Architect and cannot be reproduced or used without the consent of the Architect. The contractor is responsible for checking and verifying all levels and dimensions and shall report all discrepancies to the Architect and obtain clarification prior to commencing work.