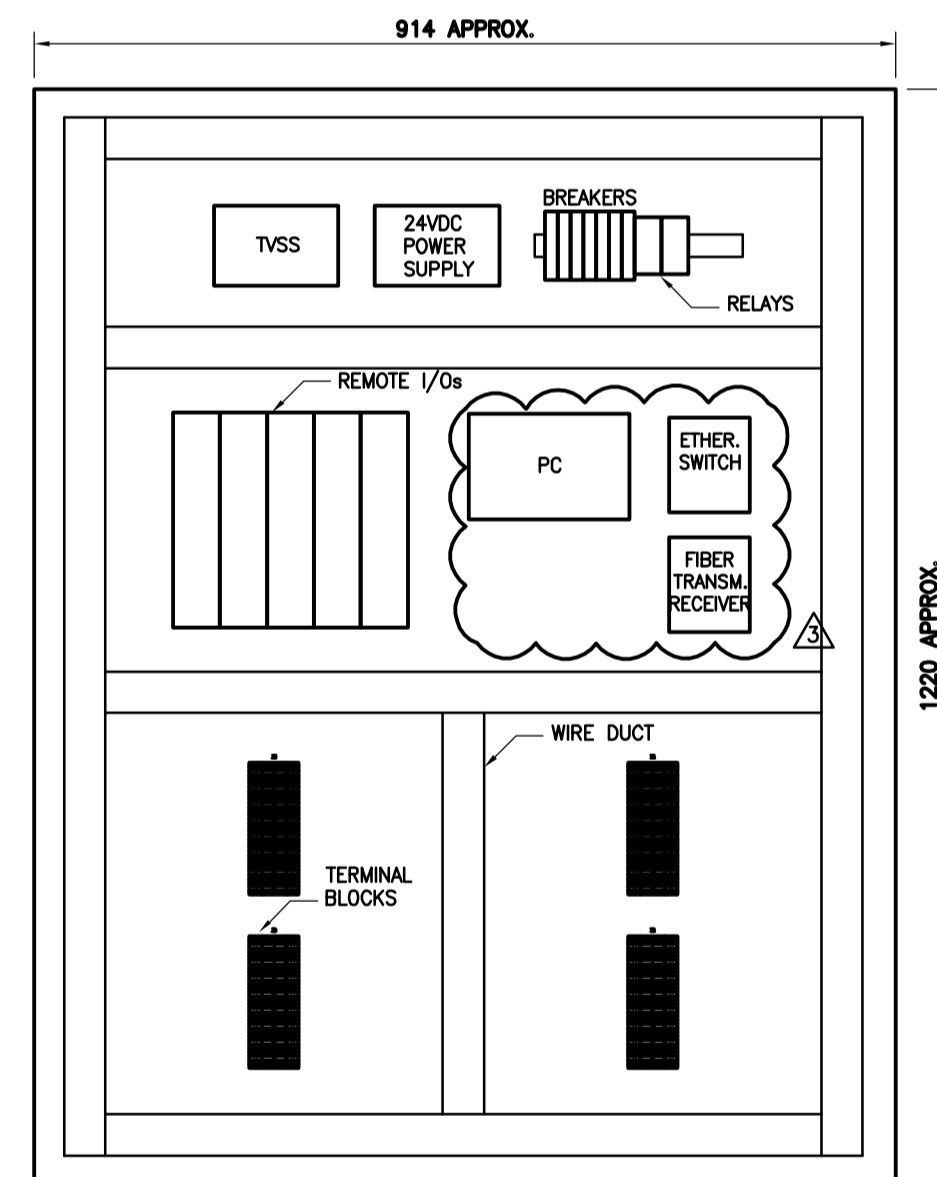
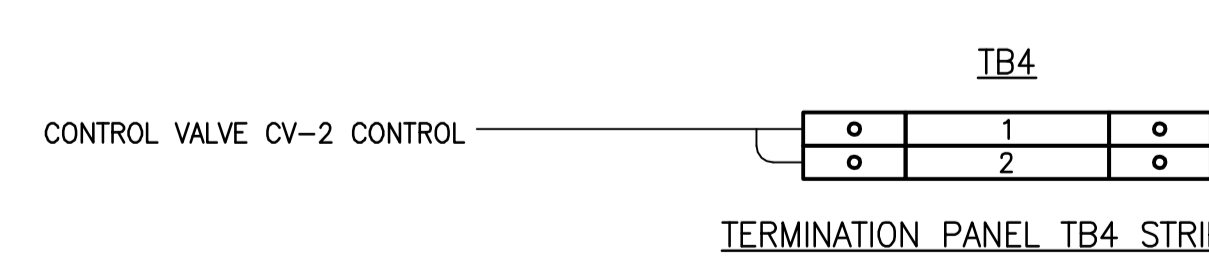
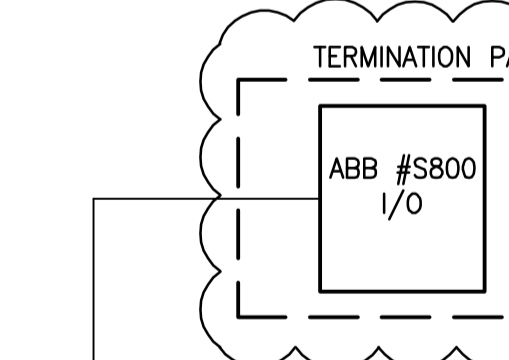
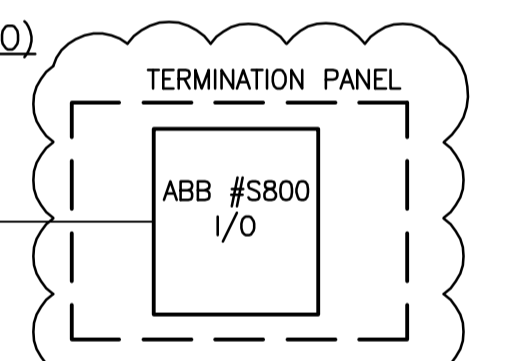
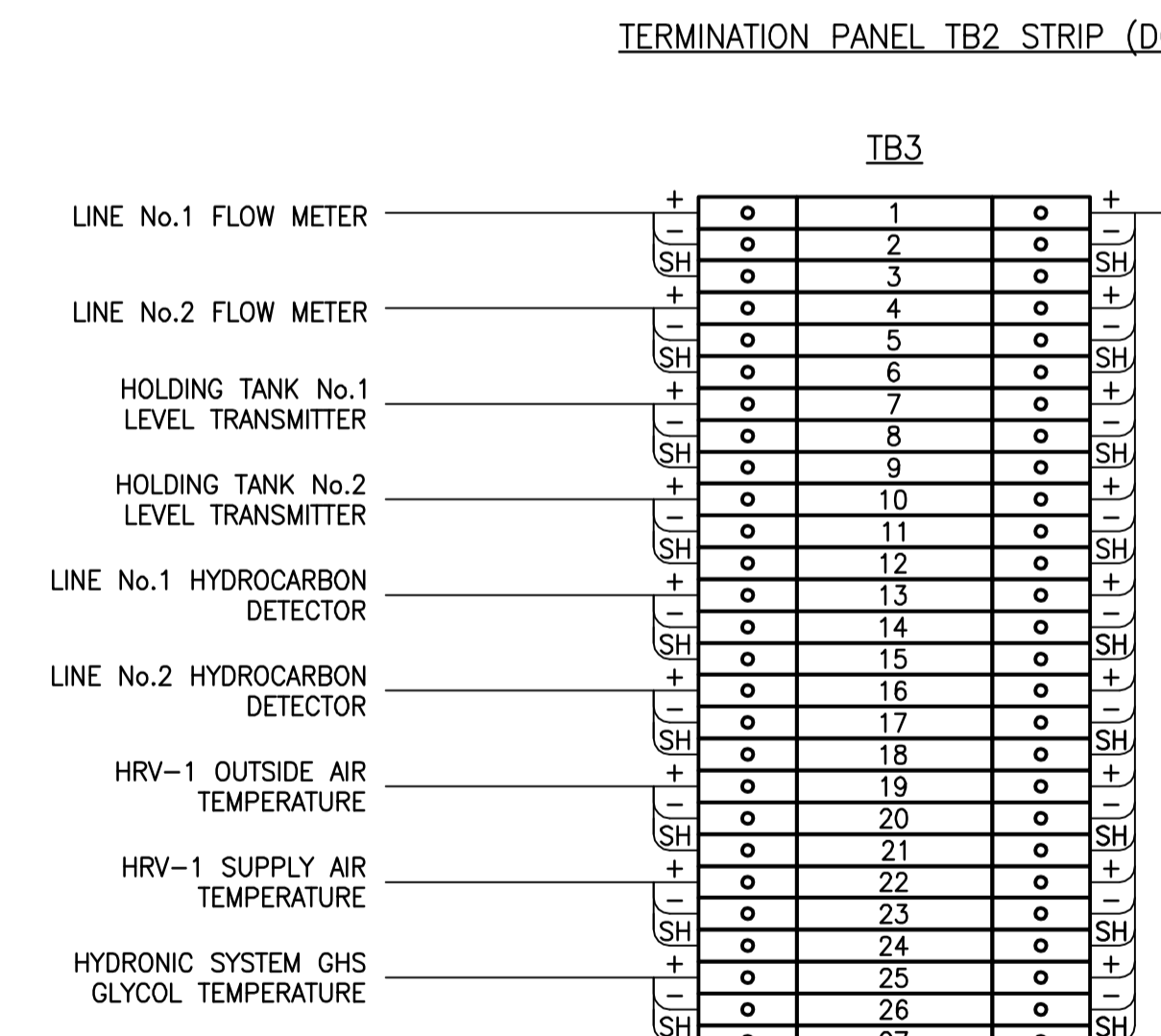
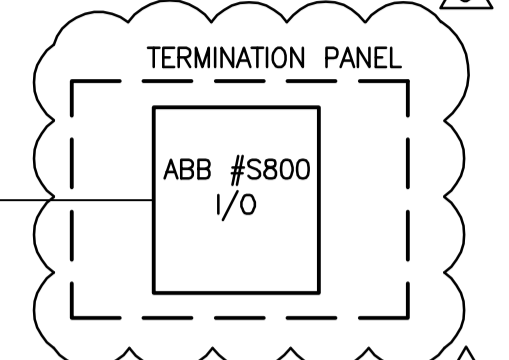
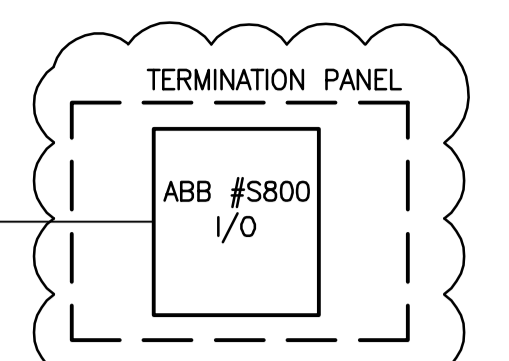
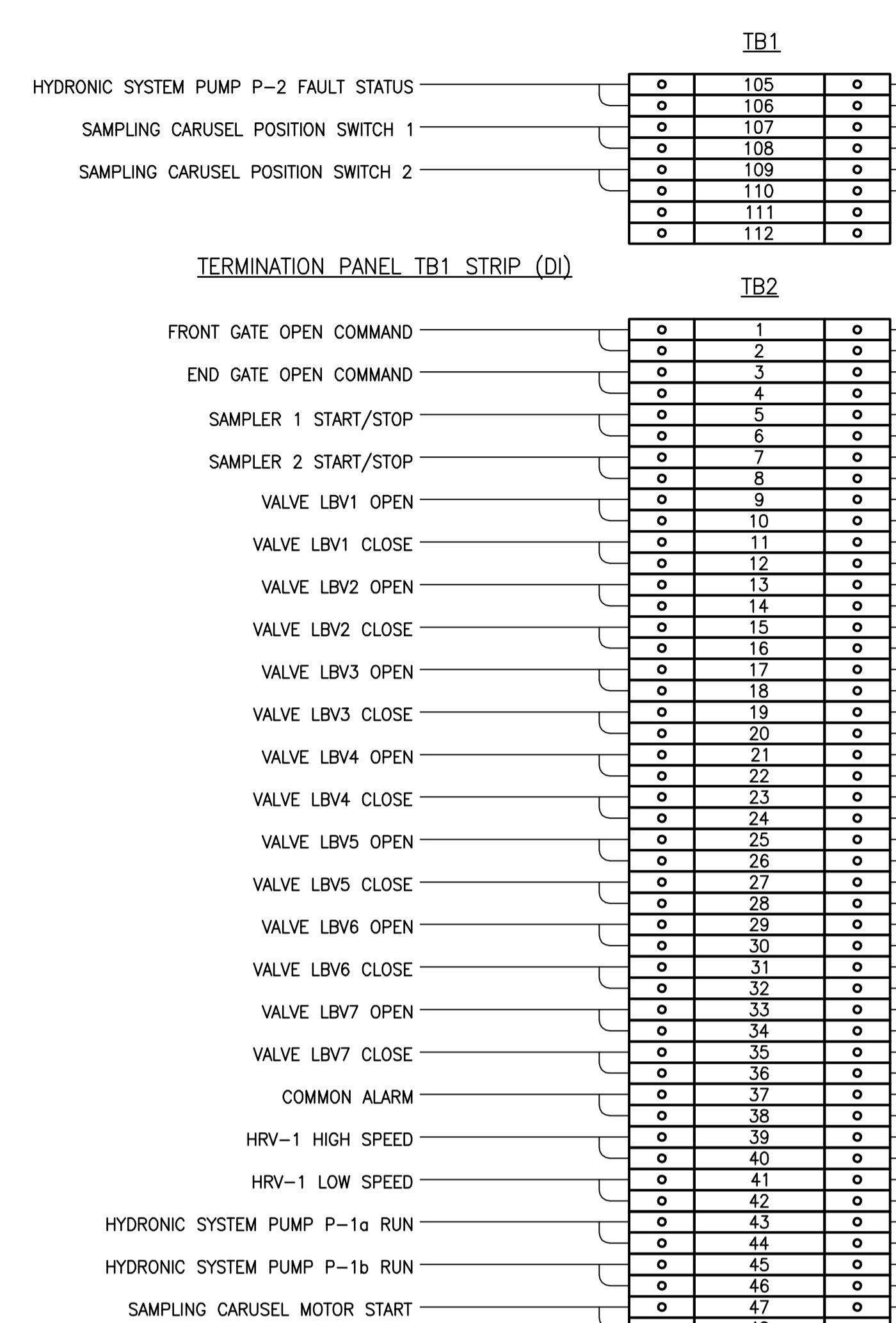
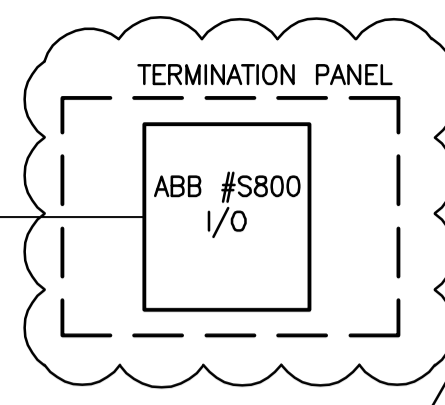


TERMINATION PANEL WIRING DETAIL



TERMINATION PANEL WITH REMOTE I/Os AND PC

Signal Name	Terminal	Terminal	Terminal
FRONT GATE OPEN STATUS	1	2	3
FRONT GATE CLOSED STATUS	4	5	6
END GATE OPEN STATUS	7	8	9
END GATE CLOSED STATUS	10	11	12
END GATE PROXIMITY SENSOR	13	14	15
MIDDLE GATE PROXIMITY SENSOR	16	17	18
HOLDING TANK No.1 HIGH LEVEL	19	20	21
HOLDING TANK No.1 LOW LEVEL	22	23	24
HOLDING TANK No.2 HIGH LEVEL	25	26	27
HOLDING TANK No.2 LOW LEVEL	28	29	30
BUILDING FLOOD ALARM	31	32	33
BUILDING LOW TEMPERATURE ALARM	34	35	36
BUILDING INTRUSION ALARM	37	38	39
VALVE LBV1 OPEN STATUS	40	41	42
VALVE LBV1 CLOSED STATUS	43	44	45
VALVE LBV2 OPEN STATUS	46	47	48
VALVE LBV2 CLOSED STATUS	49	50	51
VALVE LBV3 OPEN STATUS	52	53	54
VALVE LBV3 CLOSED STATUS	55	56	57
VALVE LBV4 OPEN STATUS	58	59	60
VALVE LBV4 CLOSED STATUS	61	62	63
VALVE LBV5 OPEN STATUS	64	65	66
VALVE LBV5 CLOSED STATUS	67	68	69
VALVE LBV6 OPEN STATUS	70	71	72
VALVE LBV6 CLOSED STATUS	73	74	75
VALVE LBV7 OPEN STATUS	76	77	78
VALVE LBV7 CLOSED STATUS	79	80	81
LEACHATE PUMP LP1 RUN STATUS	82	83	84
LEACHATE PUMP LP1 FAULT STATUS	85	86	87
LEACHATE PUMP LP2 RUN STATUS	88	89	90
LEACHATE PUMP LP2 FAULT STATUS	91	92	93
LEACHATE PUMP LP1 E-STOP STATUS	94	95	96
LEACHATE PUMP LP2 E-STOP STATUS	97	98	99
SAMPLER 1 RUN STATUS	100	101	102
SAMPLER 1 FAULT STATUS	103	104	
SAMPLER 1 HOA SWITCH IN HAND			
SAMPLER 1 HOA SWITCH IN AUTO			
SAMPLER 2 RUN STATUS			
SAMPLER 2 FAULT STATUS			
SAMPLER 2 HOA SWITCH IN HAND			
SAMPLER 2 HOA SWITCH IN AUTO			
SUMP PIT HIGH LEVEL			
BOILER B-1a RUN STATUS			
BOILER B-1b RUN STATUS			
HRV-1 FILTER HIGH DIFF. PRESS.			
HRV-1 RETURN FILTER HIGH DIFF. PRESS.			
HRV-1 SUPPLY AIR FLOW SWITCH			
HYDRONIC SYSTEM PUMP P-1a RUN STATUS			
HYDRONIC SYSTEM PUMP P-1a FAULT STATUS			
HYDRONIC SYSTEM PUMP P-1b RUN STATUS			
HYDRONIC SYSTEM PUMP P-1b FAULT STATUS			
HYDRONIC SYSTEM PUMP P-2 RUN STATUS			



APEGM
Certificate of Authorization
Stantec Consulting Ltd.
No. 1301 Date: _____

V:\112\0000\11210300\Drawings\04_Monitoring\Sheet_Electrical\WEPCC\110300-100-mwpc.dwg 2009-11-20 02:17:04 By: wmmiller

METRIC
WHOLE NUMBERS INDICATE MILLIMETRES
DECIMALIZED NUMBERS INDICATE METRES

LOCATION APPROVED UNDERGROUND STRUCTURES		B.M. ELEV.
SUPV. U/G STRUCTURES COMMITTEE	DATE	
NOTE: LOCATION OF UNDERGROUND STRUCTURES AS SHOWN ARE BASED ON THE BEST INFORMATION AVAILABLE BUT NO GUARANTEE IS GIVEN THAT ALL EXISTING UTILITIES ARE SHOWN OR THAT THE GIVEN LOCATIONS ARE EXACT. CONFIRMATION OF EXISTENCE AND EXACT LOCATION OF ALL SERVICES MUST BE OBTAINED FROM THE INDIVIDUAL UTILITIES BEFORE PROCEEDING WITH CONSTRUCTION.		
1	REVISED AS PER ADDENDUM #3	
A	ISSUED FOR TENDER	10.02.16 S.T.
NO.	REVISIONS	DATE BY

Stantec Consulting Ltd.		ENGINEER'S SEAL
905 Waverley Street, Winnipeg, Manitoba Tel 204-489-5900 Fax 204-453-9012		ORIGINAL SEALED BY SLOBODAN TREBIC P. ENG. 10/02/16
DESIGNED BY S.T.	CHECKED BY D.D.	
DRAWN BY S.T.	APPROVED BY	
HOR. SCALE: -	RELEASED FOR CONSTRUCTION:	
VERTICAL:	DATE	

THE CITY OF WINNIPEG WATER AND WASTE DEPARTMENT		
Winnipeg		
NORTH END WATER POLLUTION CONTROL CENTRE HAULED WASTEWATER RECEIVING FACILITIES LEACHATE RECEIVING BUILDING		
CONTROL PANEL WIRING, DCS I/Os		
TENDER NO. 822-2009	CITY DRAWING NUMBER I-OIOIA-A0003-001	SHEET 1 OF 1