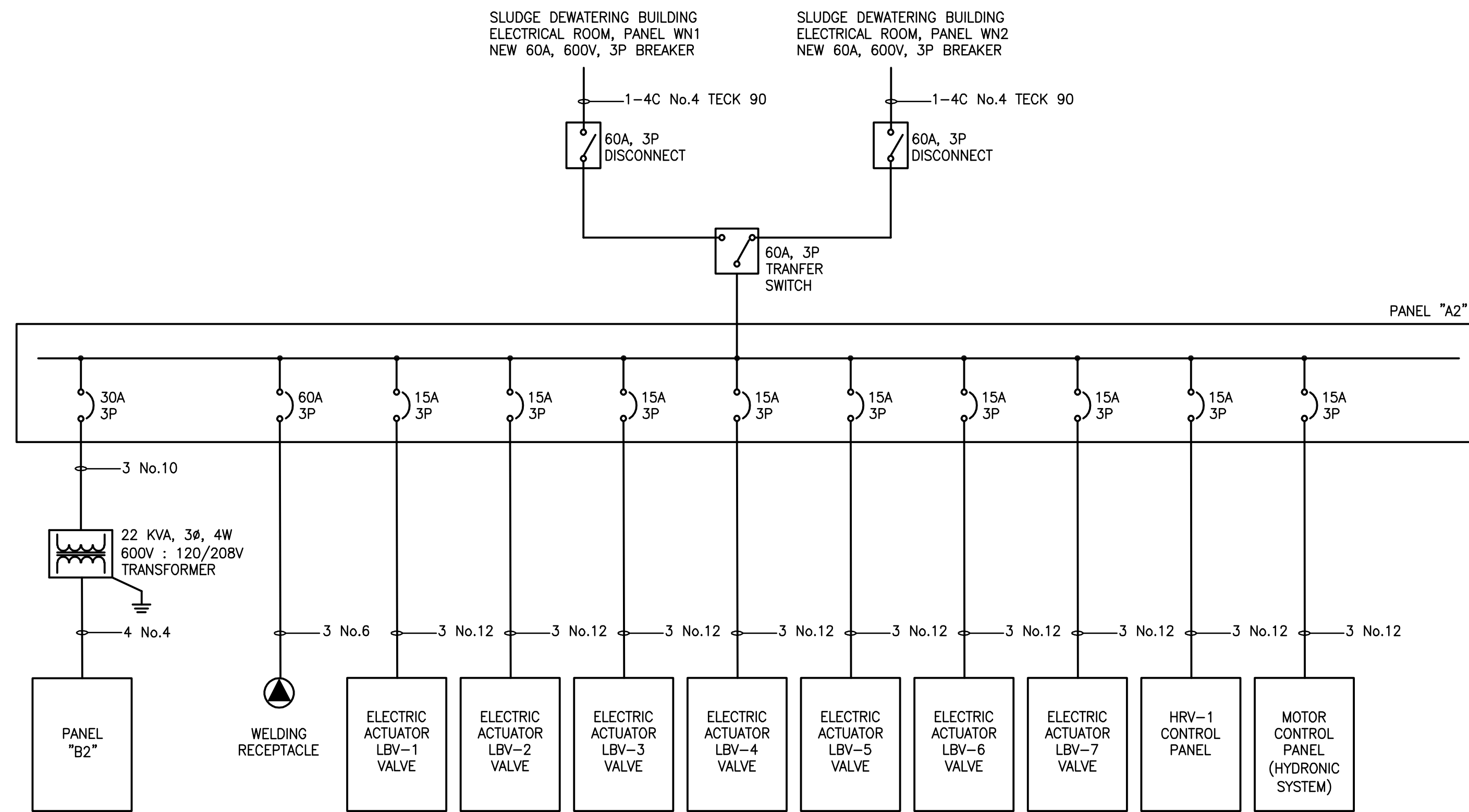
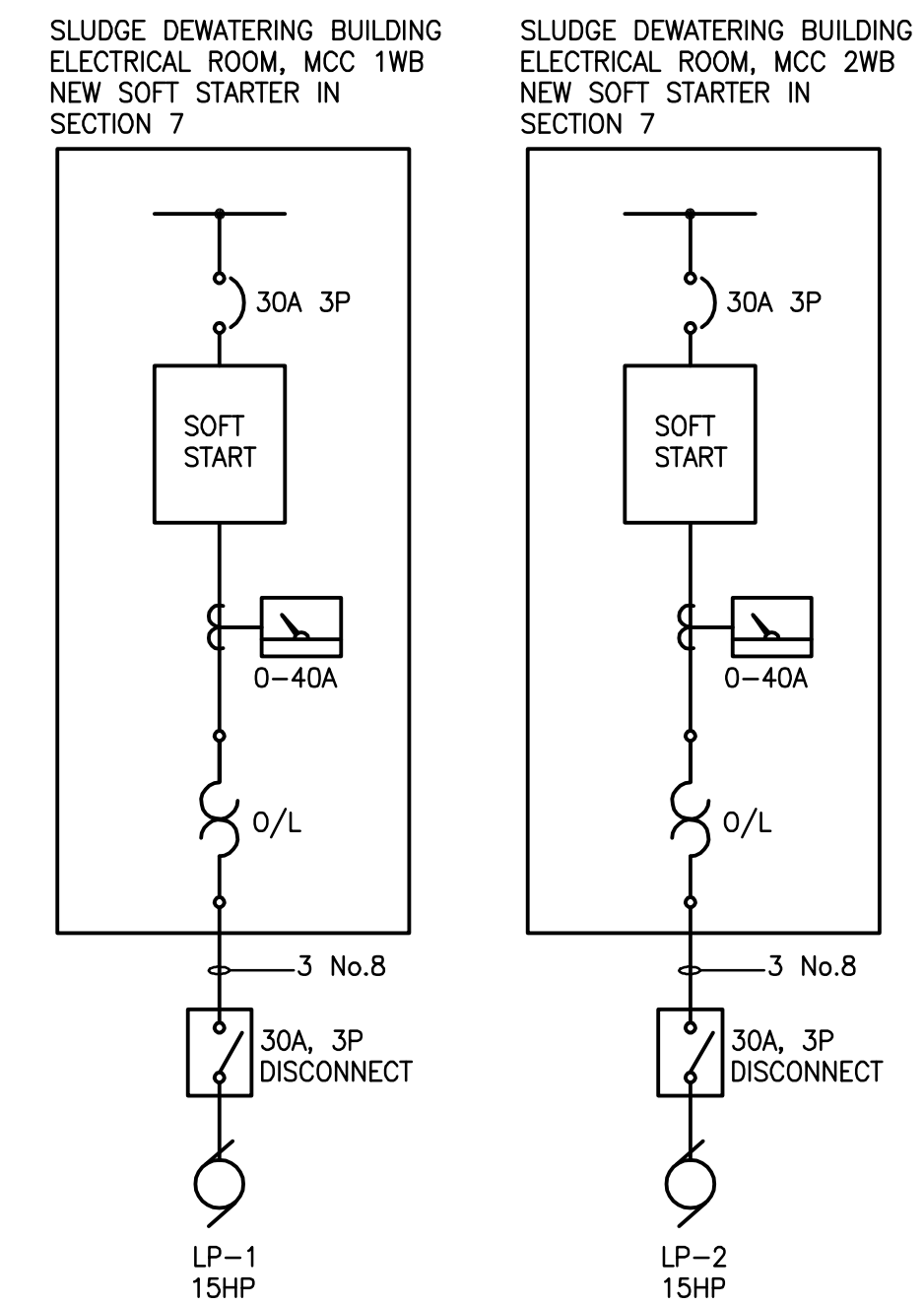


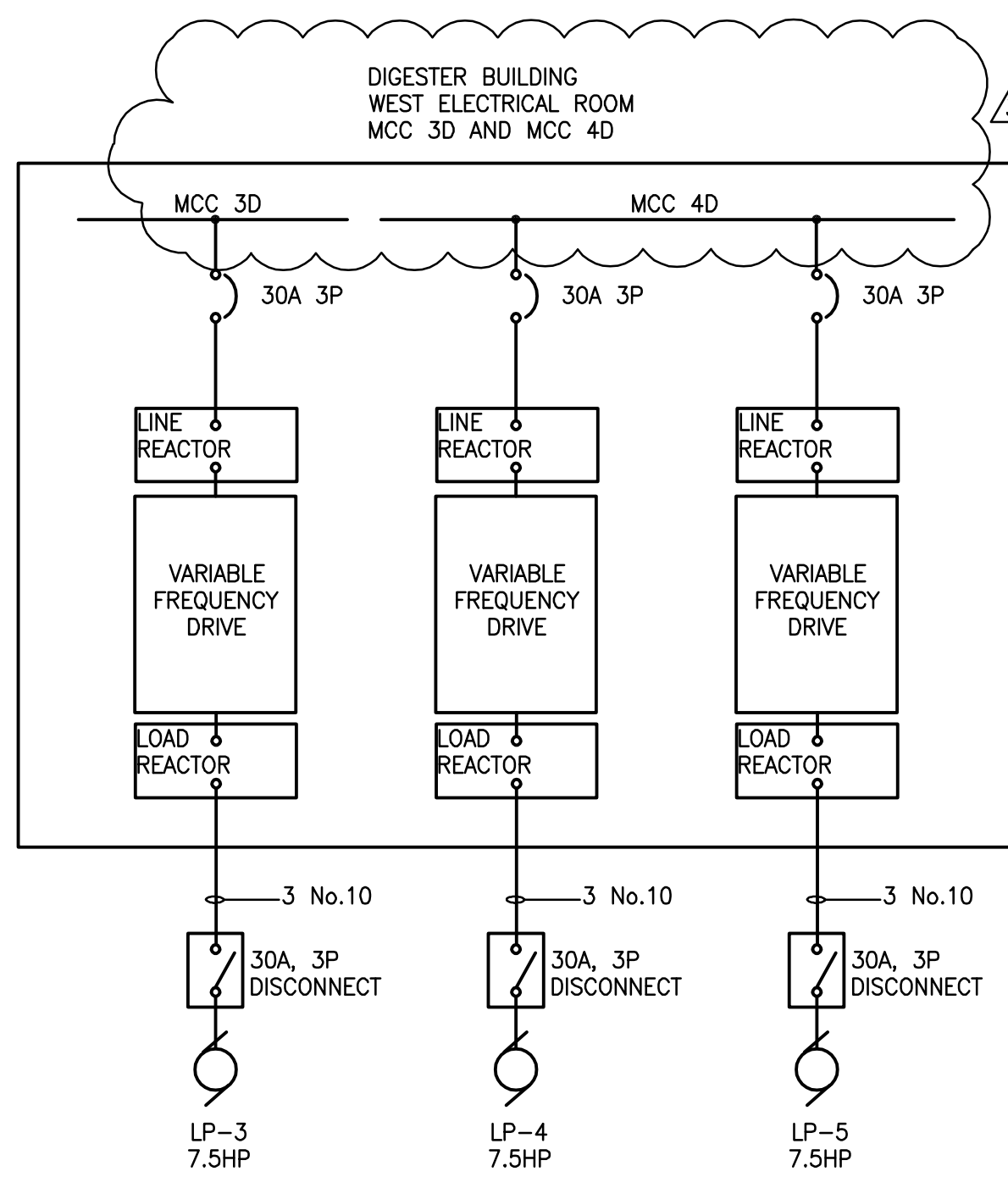
HAULED WASTEWATER BUILDING SINGLE LINE DIAGRAM



LEACHATE BUILDING SINGLE LINE DIAGRAM



NOTE: ELECTRICIAN TO CONFIRM ON SITE EXACT LOCATION OF EXISTING MCC.



DIGESTER GALLERY SINGLE LINE DIAGRAM

PANEL "A1"				347/600V, 3φ, 4W				100A MAINS			
DESCRIPTION	CCT.	BRK AMP	A B C	BRK AMP	CCT.	DESCRIPTION	CCT.	BRK AMP	A B C	BRK AMP	CCT.
TRANSFORMER 22kVA, 600/120-208V	3	30		15	2	VALVE SBV-1 ELECTRIC ACTUATOR	4			15	6
VALVE SBV-2 ELECTRIC ACTUATOR	7	15		15	8	MOTOR CONTROL PANEL (HYDRONIC SYSTEM)	10			15	12
HEAT RECOVERY VENTILATOR HRV-1 CONTROL PANEL	15	15		60	16	WELDING RECEPTACLE	17			15	18
	19	15		15	20	STREET LIGHTS	21			15	22
	23	15		15	24		25			15	26
	27	15		15	28		29			15	30

PANEL "A1" SCHEDULE

PANEL "B1"				120/208V, 3φ, 4W				100A MAINS			
DESCRIPTION	CCT.	BRK AMP	A B C	BRK AMP	CCT.	DESCRIPTION	CCT.	BRK AMP	A B C	BRK AMP	CCT.
INDOOR LIGHTING	1	15		15	2	INDOOR LIGHTING	19			15	20
HOIST	3	20		15	4	EMERGENCY / EXIT LIGHTS	21			15	22
RECEPTACLES	5	15		15	6	RECEPTACLES	23			15	24
SAMPLER REFRIGERATOR LINE 1	7	20		20	8	SAMPLER REFRIGERATOR LINE 2	25			15	26
SAMPLER CONTROL PANEL LINE 1	9	15		15	10	SAMPLER CONTROL PANEL LINE 1	27			15	28
AIR COMPRESSOR	11	60		15	12	BOILER CONTROL PANEL	29			15	30
TERMINATION PANEL	13	15		20	14	BOILER CONTROL PANEL	31			15	32
SNOW MELTING CONTROL PANEL	15	15		20	16	SPARE	33			15	34
HYDRONIC UNIT HEATER UH-1	17	15		18	18	SUMP PUMP	35			15	36
EXHAUST FAN EF-1	19			20	20	EXHAUST FAN EF-2 (DEWATERING BLDG. TRUCK BAY)	37			15	38
ELECTRIC WATER HEATER (3kW)	21	15		15	22	MESSAGE DISPLAYS (LANE #1)	39			15	40
	23			24	24	MESSAGE DISPLAYS (LANE #2)	41			15	42
	25			26	26	GATES (LANE #1)					
	27			28	28	GATES (LANE #2)					
	29			30	30	GATES (LANE #3)					
	31			32	32	CARD READER (LANE #1)					
	33			34	34	CARD READER (LANE #2)					
	35			36	36	SECURITY CAMERAS (LANE #1, LANE #2)					
	37			38	38						
	39			40	40						
	41			42	42						

PANEL "B1" SCHEDULE

PANEL "A2"				347/600V, 3φ, 4W				100A MAINS			
DESCRIPTION	CCT.	BRK AMP	A B C	BRK AMP	CCT.	DESCRIPTION	CCT.	BRK AMP	A B C	BRK AMP	CCT.
TRANSFORMER 22kVA, 600/120-208V	3	30		15	2	VALVE LBV-1 ELECTRIC ACTUATOR	4			15	6
VALVE LBV-2 ELECTRIC ACTUATOR	7	15		15	8	VALVE LBV-3 ELECTRIC ACTUATOR	10			15	12
VALVE LBV-4 ELECTRIC ACTUATOR	13	15		15	14	VALVE LBV-5 ELECTRIC ACTUATOR	16			15	18
VALVE LBV-6 ELECTRIC ACTUATOR	19	15		15	20	VALVE LBV-7 ELECTRIC ACTUATOR	22			15	24
HEAT RECOVERY VENTILATOR HRV-1 CONTROL PANEL	27	15		60	28	WELDING RECEPTACLE	29			15	30
MOTOR CONTROL PANEL (HYDRONIC SYSTEM)	31	15		15	32	STREET LIGHTS	33			15	34
	35			15	36		37			15	38
	39			15	40		41			15	42

PANEL "A2" SCHEDULE

PANEL "B2"				120/208V, 3φ, 4W				100A MAINS			
DESCRIPTION	CCT.	BRK AMP	A B C	BRK AMP	CCT.	DESCRIPTION	CCT.	BRK AMP	A B C	BRK AMP	CCT.
INDOOR LIGHTING	1	15		15	2	INDOOR LIGHTING	19			15	20
HOIST	3	20		15	4	EMERGENCY / EXIT LIGHTS	21			15	22
RECEPTACLES	5	15		15	6	RECEPTACLES	23			15	24
SAMPLER REFRIGERATOR LINE 1	7	20		20	8	SAMPLER REFRIGERATOR LINE 2	25			15	26
SAMPLER CONTROL PANEL LINE 1	9	15		15	10	SAMPLER CONTROL PANEL LINE 1	27			15	28
AIR COMPRESSOR	11	60		15	12	BOILER CONTROL PANEL	29			15	30
TERMINATION PANEL	13	15		20	14	BOILER CONTROL PANEL	31			15	32
SNOW MELTING CONTROL PANEL	15	15		20	16	SPARE	33			15	34
HYDRONIC UNIT HEATER UH-1	17	15		18	18	SUMP PUMP	35			15	36
ELECTRIC WATER HEATER (3kW)	21	15		15	22	EXHAUST FAN EF-1	37			15	38
MESSAGE DISPLAYS (LANE #3)	25	15		15	26		39			15	40
GATES (LANE #3)	27	15		15	28		41			15	42
CARD READER (LANE #3)	29	15		15	30						
SECURITY CAMERAS (LANE #3)	31	15		15	32						
	33			15	34						
	35			15	36						
	37			15	38						
	39			15	40						
	41			15	42						

PANEL "B2" SCHEDULE



LOCATION APPROVED UNDERGROUND STRUCTURES

SUPV. U/G STRUCTURES COMMITTEE DATE

NOTE: LOCATION OF UNDERGROUND STRUCTURES AS SHOWN ARE BASED ON THE BEST INFORMATION AVAILABLE BUT NO GUARANTEE IS GIVEN THAT ALL EXISTING UTILITIES ARE SHOWN OR THAT THE GIVEN LOCATIONS ARE EXACT. CONFIRMATION OF EXISTENCE AND EXACT LOCATION OF ALL SERVICES MUST BE OBTAINED FROM THE INDIVIDUAL UTILITIES BEFORE PROCEEDING WITH CONSTRUCTION.

NO.	REVISIONS	DATE	BY
1	REVISED AS PER ADDENDUM #3		
A	ISSUED FOR TENDER	10.02.16	S.T.

Stantec Consulting Ltd.
905 Waverley Street, Winnipeg, Manitoba
Tel 204-489-5900 Fax 204-453-9012

DESIGNED BY: S.T.	CHECKED BY: D.D.
DRAWN BY: S.T.	APPROVED BY: -
HOR. SCALE: -	RELEASED FOR CONSTRUCTION: -
VERTICAL: -	DATE: 09.11.20

ENGINEER'S SEAL
ORIGINAL SEALED BY SLOBODAN TREBIC P. ENG. 10/02/16
TENDER NO. 822-2009

THE CITY OF WINNIPEG
WATER AND WASTE DEPARTMENT
Winnipeg
NORTH END WATER POLLUTION CONTROL CENTRE
HAULED WASTEWATER RECEIVING FACILITIES
HAULED WASTEWATER AND LEACHATE RECEIVING BUILDINGS
SINGLE LINE DIAGRAMS, PANEL SCHEDULES
CITY DRAWING NUMBER I-OIOIA-E0007-001
SHEET 1 OF 1

V:\1170\wastwa\11701830\dwg\11701830.dwg (electrical)\MPPCC\11701830-103-mppcc.dwg 2009-11-30 02:18PM By: wmmcc

METRIC

WHOLE NUMBERS INDICATE MILLIMETRES
DECIMALIZED NUMBERS INDICATE METRES