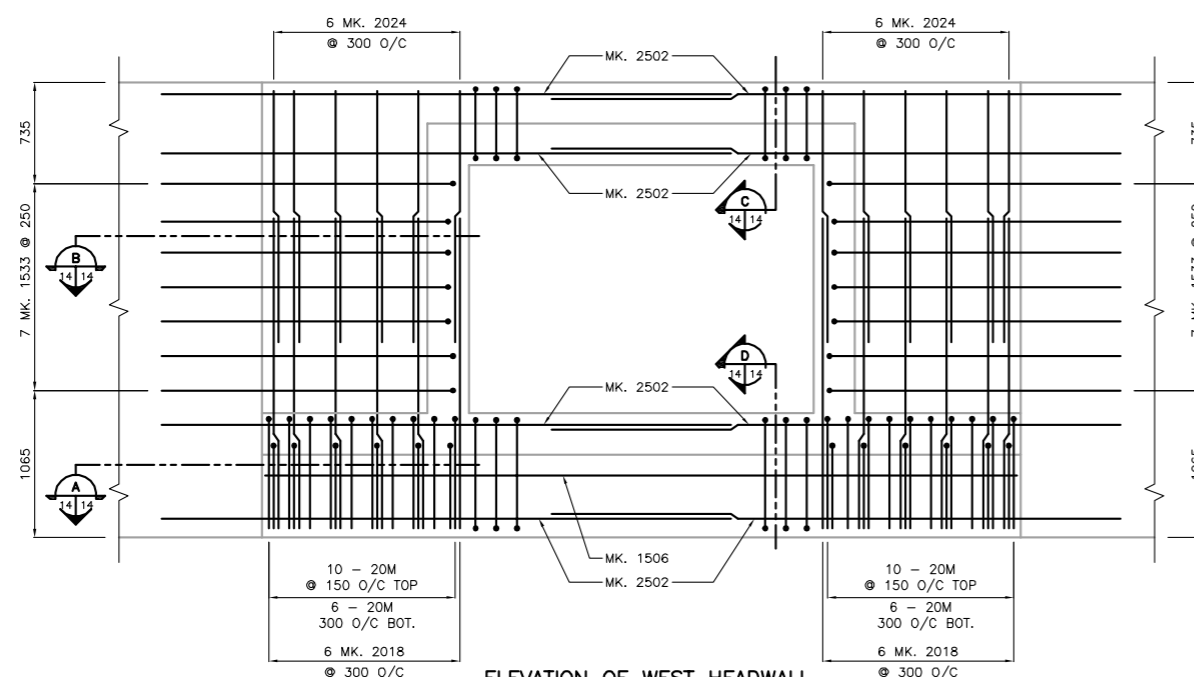
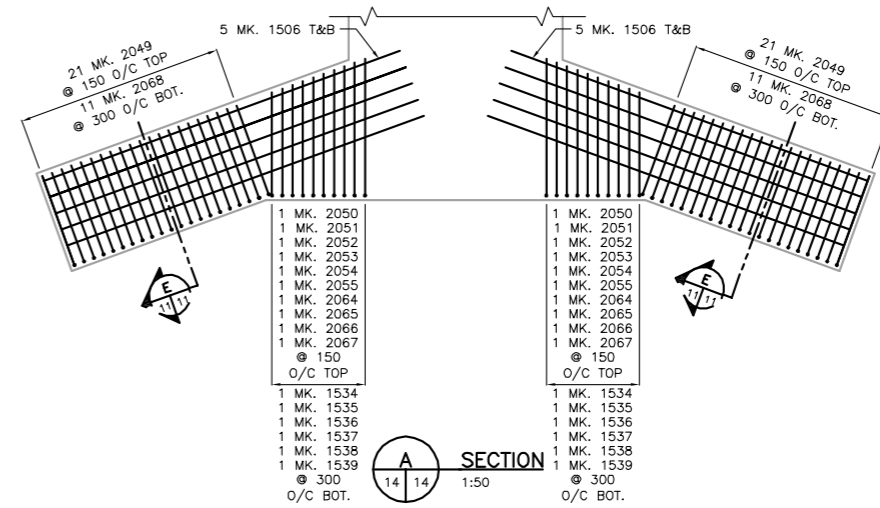


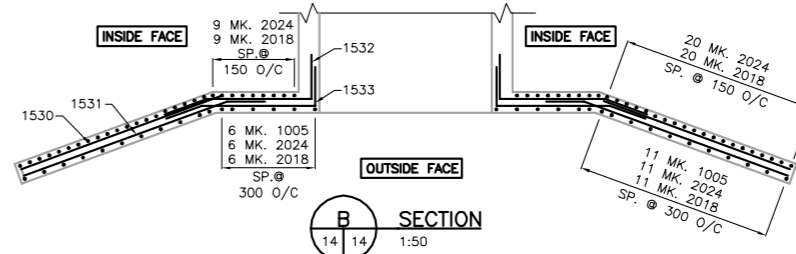
ELEVATION OF WEST HEADWALL
1:25
SHOWING REINFORCING STEEL IN INSIDE FACE



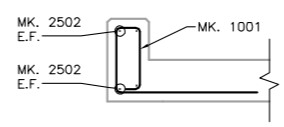
ELEVATION OF WEST HEADWALL
1:25
SHOWING REINFORCING STEEL IN OUTSIDE FACE



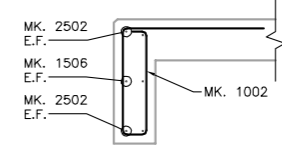
SECTION A
14 14
1:50



SECTION B
14 14
1:50



SECTION C
14 14
1:25



SECTION D
14 14
1:25

APEGM
Certificate of Authorization
Stantec Consulting Ltd.
No. 1301 Date: _____

LOCATION APPROVED UNDERGROUND STRUCTURES
SUPV. U/G STRUCTURES COMMITTEE DATE
NOTE:
LOCATION OF UNDERGROUND STRUCTURES AS SHOWN ARE BASED ON THE BEST INFORMATION AVAILABLE BUT NO GUARANTEE IS GIVEN THAT ALL EXISTING UTILITIES ARE SHOWN OR THAT THE GIVEN LOCATIONS ARE EXACT. CONTRIBUTION OF EXISTENCE AND EXACT LOCATION OF ALL SERVICES MUST BE OBTAINED FROM THE INDIVIDUAL UTILITIES BEFORE PROCEEDING WITH CONSTRUCTION.

NO.	REVISIONS	DATE	BY
3	ISSUED FOR ADDENDUM No.1	10.01.13	J.M.B.
2	ISSUED FOR TENDER	10.01.06	J.M.B.
1	SUBMITTED FOR 90% REVIEW	09.12.11	M.L.T.

Stantec Consulting Ltd.
905 Waverley Street, Winnipeg, Manitoba
Tel 204-489-5900 Fax 204-453-9012

DESIGNED BY: M.L.T. CHECKED BY: K.S.A.
DRAWN BY: J.M.B. APPROVED BY: M.L.T.

HOR. SCALE: AS SHOWN
VERTICAL: AS SHOWN

DATE 09.12.11

ENGINEER'S SEAL
CONSULTANT DRAWING NO. S-108

THE CITY OF WINNIPEG
PUBLIC WORKS DEPARTMENT
ENGINEERING DIVISION

GUNN ROAD RECONSTRUCTION
CORDITE DITCH CULVERT REPLACEMENT
AT DAY STREET AND GUNN ROAD
REINFORCING DETAILS - SHEET 6 OF 6

SHEET 14 OF 15
CAD FILE DRAWING NUMBER 05170S-101-726.dwg
CITY DRAWING NUMBER C365-10-14

V:\137\pct\13700170\Drawings\04\Location\04\Location\04\04170-001-726.dwg
 2010-01-13 02:58PM By: jmm