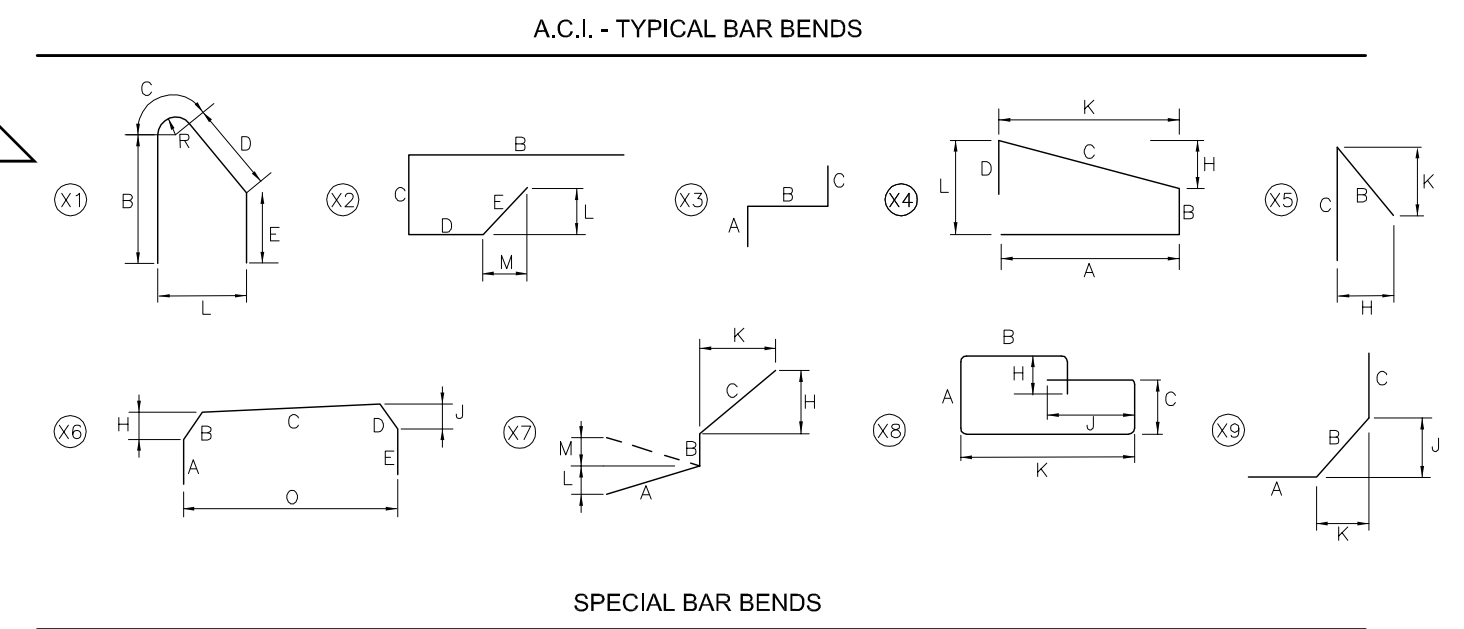
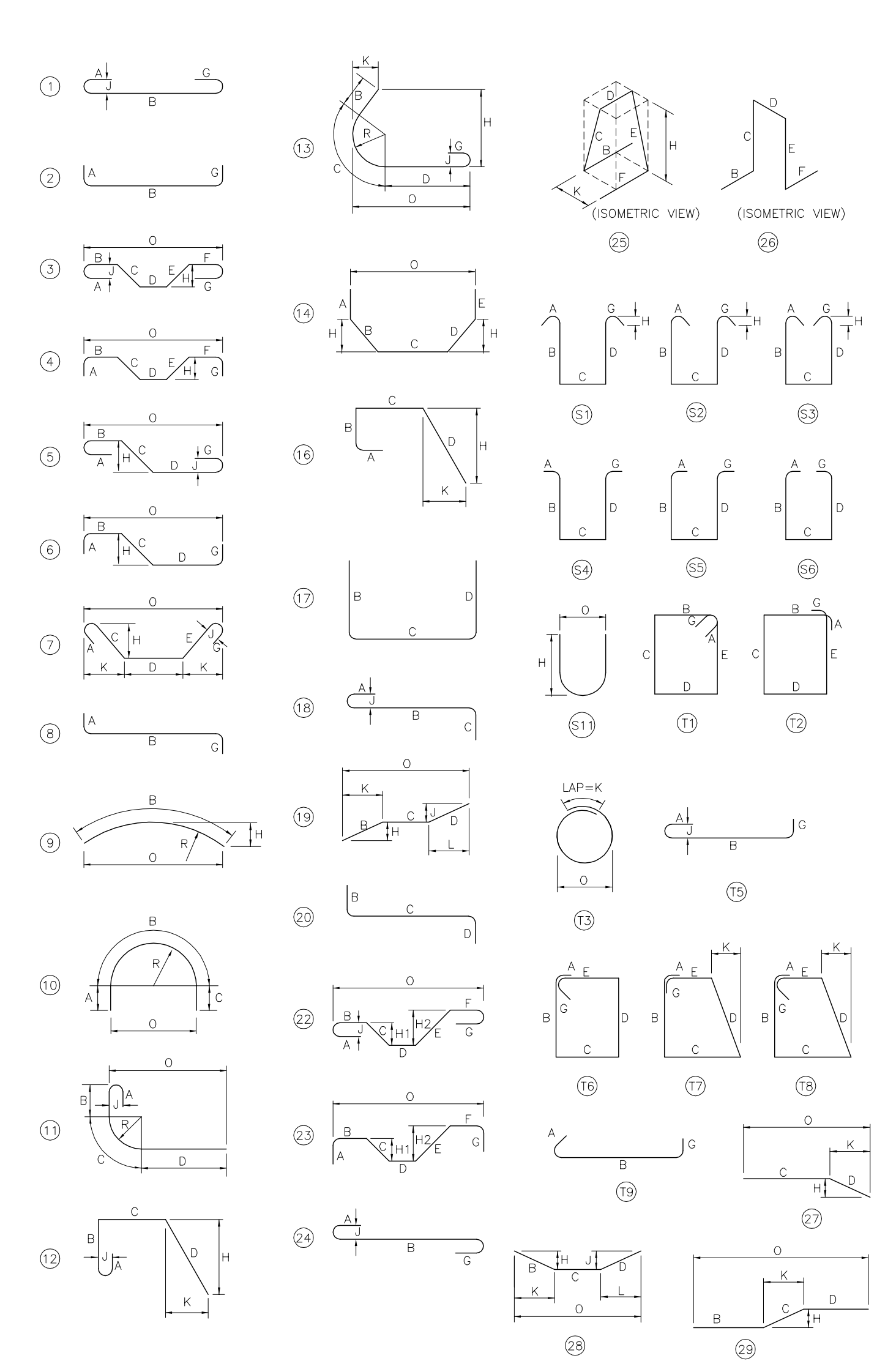


A1 SIZE 23.4" x 33.1" (594mm x 841mm) PLOT: 10/04/12 8:09:09 AM AECOM FILE NAME: 0265-412-00_01-S-0804_RX.dwg Saved By: hennied

Table with columns: MARKS, NO BARS, SIZE, LENGTH, TYPE, A, B, C, D, E, F, G, H, J, K, L, M, O, R, SHAPE, MASS (kg). Includes sections for CONCRETE LAYOUT 13 through 20.

Table with columns: MARKS, NO BARS, SIZE, LENGTH, TYPE, A, B, C, D, E, F, G, H, J, K, L, M, O, R, SHAPE, MASS (kg). Includes sections for CONCRETE LAYOUT 21 through 23 and CONCRETE PAVT DOWELS.



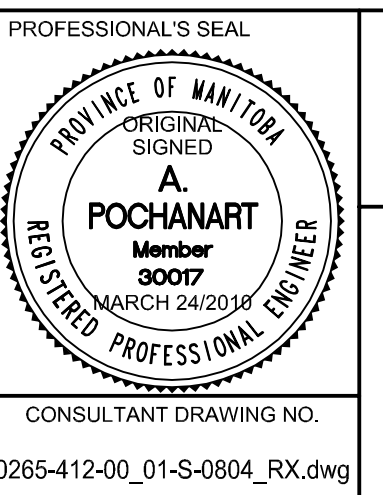
NOTES: 1. ALL DIMENSIONS ARE OUT-TO-OUT OF A BAR EXCEPT 'A' AND 'G' ON STANDARD 180° AND 135° HOOKS. 2. 'J' DIMENSION ON 180° HOOKS TO BE SHOWN ONLY WHERE NECESSARY TO RESTRICT HOOK SIZE...

DWG TOTAL WEIGHT = 6721.2 kg GALVANIZED

METRIC WHOLE NUMBERS INDICATE MILLIMETRES DECIMALIZED NUMBERS INDICATE METRES

LOCATION APPROVED UNDERGROUND STRUCTURES COMMITTEE. SUPR. U/G STRUCTURES COMMITTEE DATE. NOTE: LOCATION OF UNDERGROUND STRUCTURES AS SHOWN ARE BASED ON THE BEST INFORMATION AVAILABLE...

AECOM DESIGNED BY AP CHECKED BY SBB / CGC DRAWN BY CPK APPROVED BY. HOR. SCALE AS NOTED VERT. SCALE AS NOTED. DATE YY/MM/DD



THE CITY OF WINNIPEG PUBLIC WORKS DEPARTMENT ENGINEERING DIVISION. JUBILEE AVENUE OVERPASS REHABILITATION REINFORCING SCHEDULE IV. CITY DRAWING NUMBER B124-10-28 SHEET 28 OF 51 DRAWING No. 28 REV 1

BID OPPORTUNITY NO. 133-2010