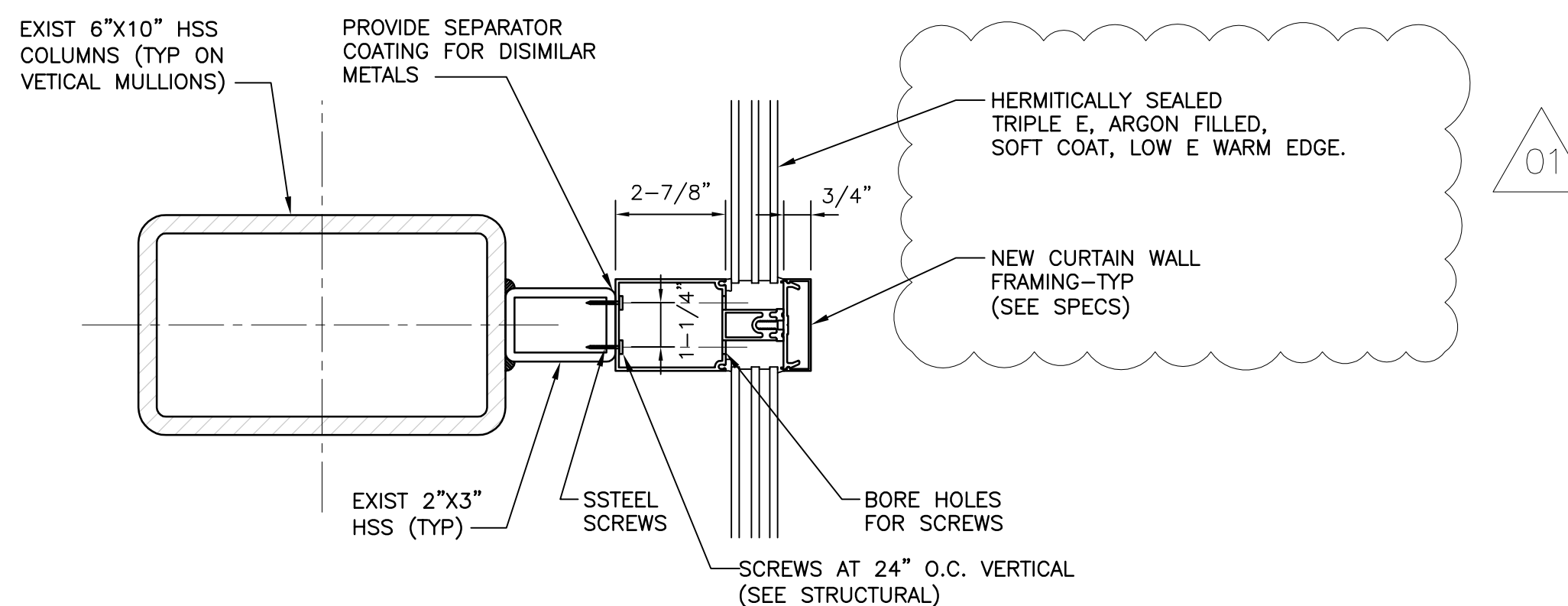
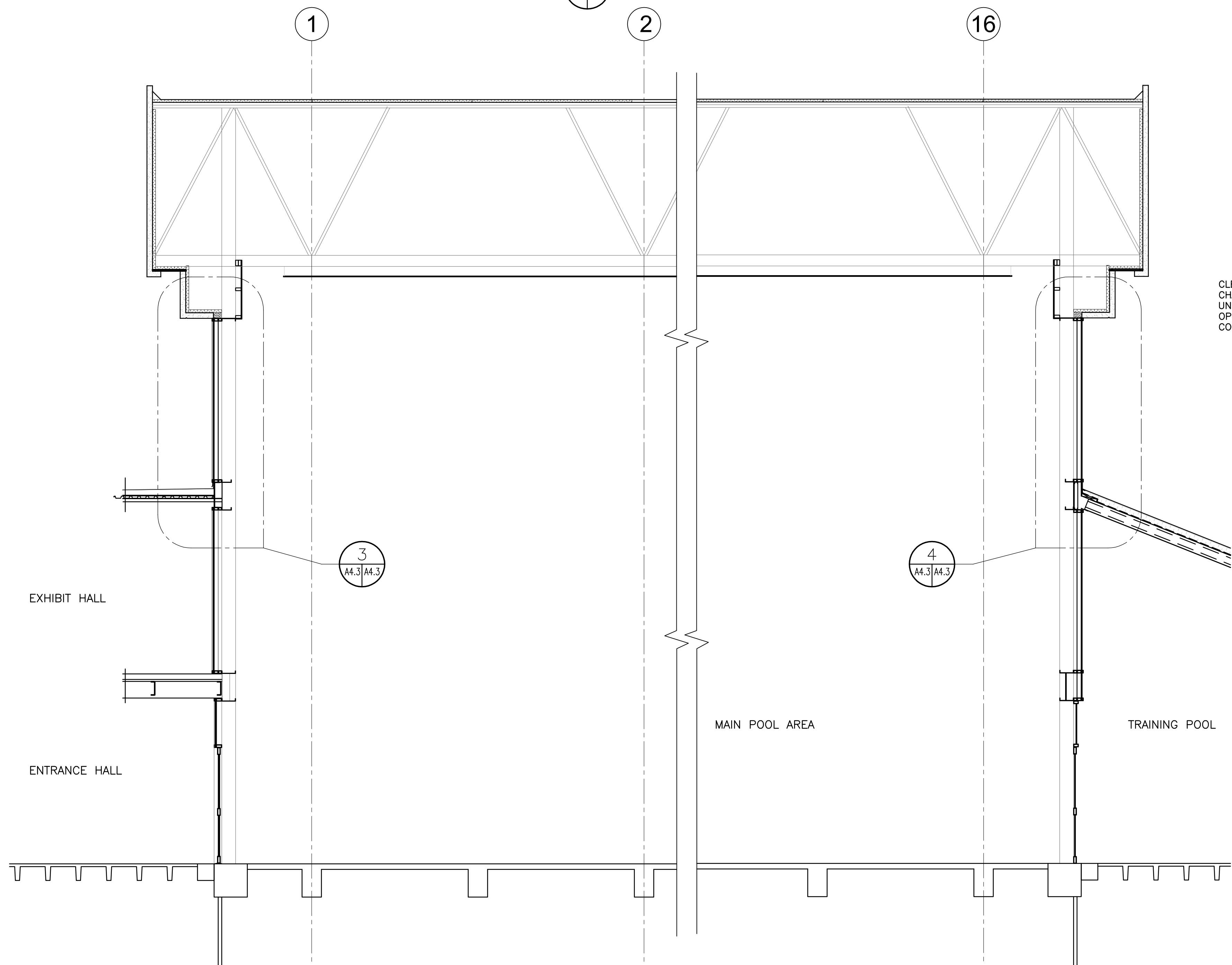


KEY PLAN
SCALE: NTS



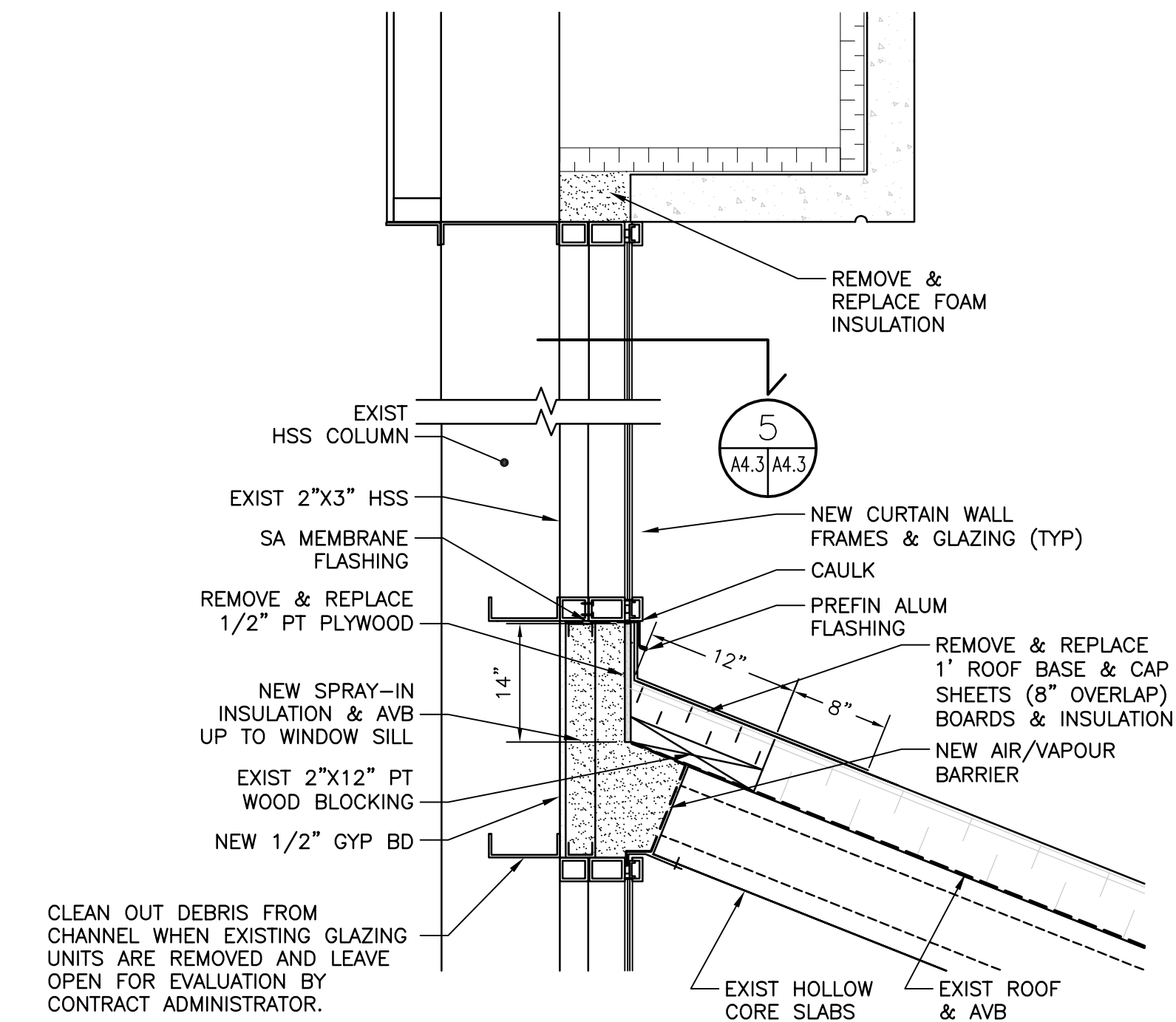
5 TYPICAL CURTAIN WALL FRAMING DETAIL
SCALE: 3"=1'-0"

01

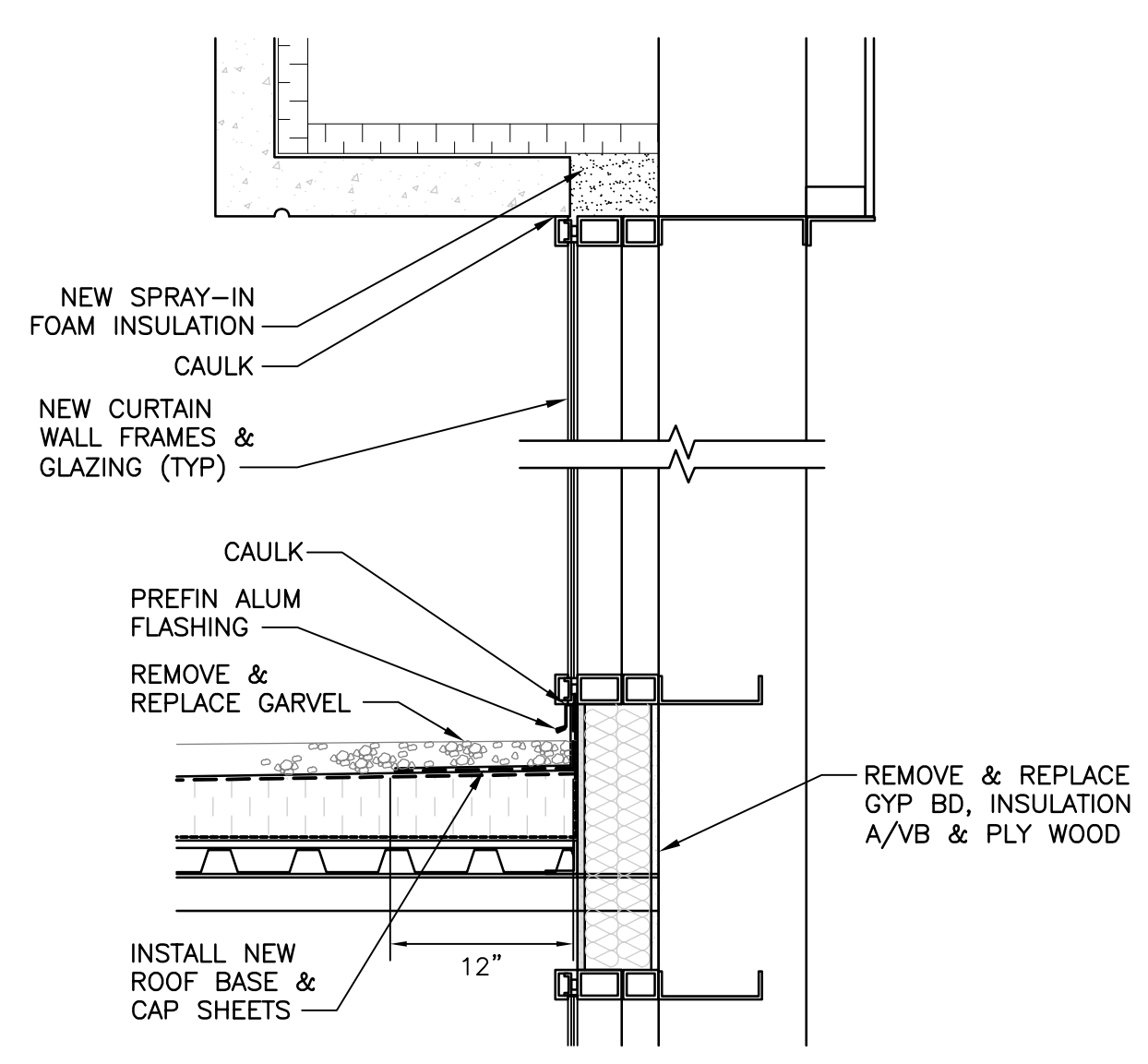


1 SECTION-A WEST WALL
SCALE: 1/8"=1'-0"

2 SECTION-B EAST WALL
SCALE: 1/8"=1'-0"

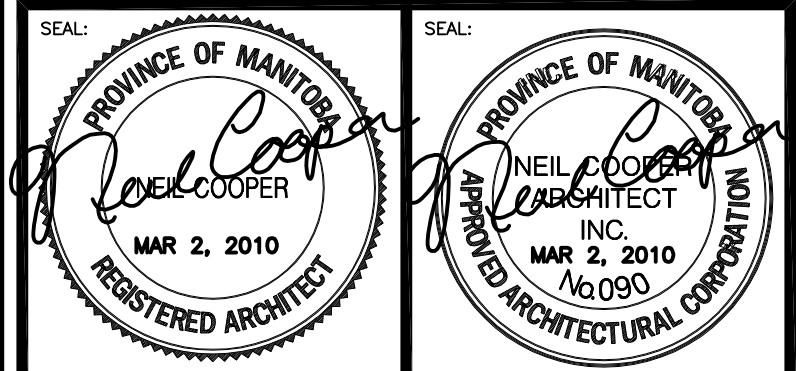


4 WALL DETAIL-EAST
SCALE: 1"=1'-0"



3 WALL DETAIL-WEST
SCALE: 1"=1'-0"

| REV | DESCRIPTION | DATE | BY |
|-----|-----------------------|--------------|----|
| 1 | ISSUED FOR ADDENDUM 2 | MAR 25, 2010 | AL |
| 0 | ISSUED FOR TENDER | MAR 2, 2010 | AL |



THIS DRAWING MUST NOT BE SCALED.
THE GENERAL CONTRACTOR SHALL VERIFY ALL DIMENSIONS, DATUMS AND LEVELS PRIOR TO COMMENCEMENT OF WORK AND IS HELD RESPONSIBLE FOR REPORTING ANY DISCREPANCY OR OMISSION TO NEIL COOPER ARCHITECT INC. IMMEDIATELY.
THIS DRAWING IS THE EXCLUSIVE PROPERTY OF NEIL COOPER ARCHITECT INC. AND CAN BE REPRODUCED ONLY WITH THE PERMISSION OF NEIL COOPER ARCHITECT INC. IN WHICH CASE THE REPRODUCTION MUST BEAR THEIR NAME AS THE ARCHITECTURAL FIRM.

EAST & WEST WALLS SECTIONS & DETAILS
PROJECT: **PAN AM POOL BLDG ENVELOPE RETROFIT PHASE 2**
25 Poseidon Bay, Winnipeg, Manitoba

Neil Cooper Architect Inc.
10-395 Berry Street, Winnipeg, Manitoba R3J 1N6

Tuplin Group Inc.
Unit L 301 Weston Street, Winnipeg, Manitoba R3E 3H4

| | | | |
|--|-------------|-------------------|---------|
| DRAWN BY: AL | CHECKED BY: | SHEET NO: A4.3R-1 | REV NO: |
| DATE: JUNE 01, 2009 | | | |
| SCALE: As Noted | | | |
| FILE: 08062\CONT.DOC\CONT.DWGS\ARCH\PHASE 2\A4.1 | | | |