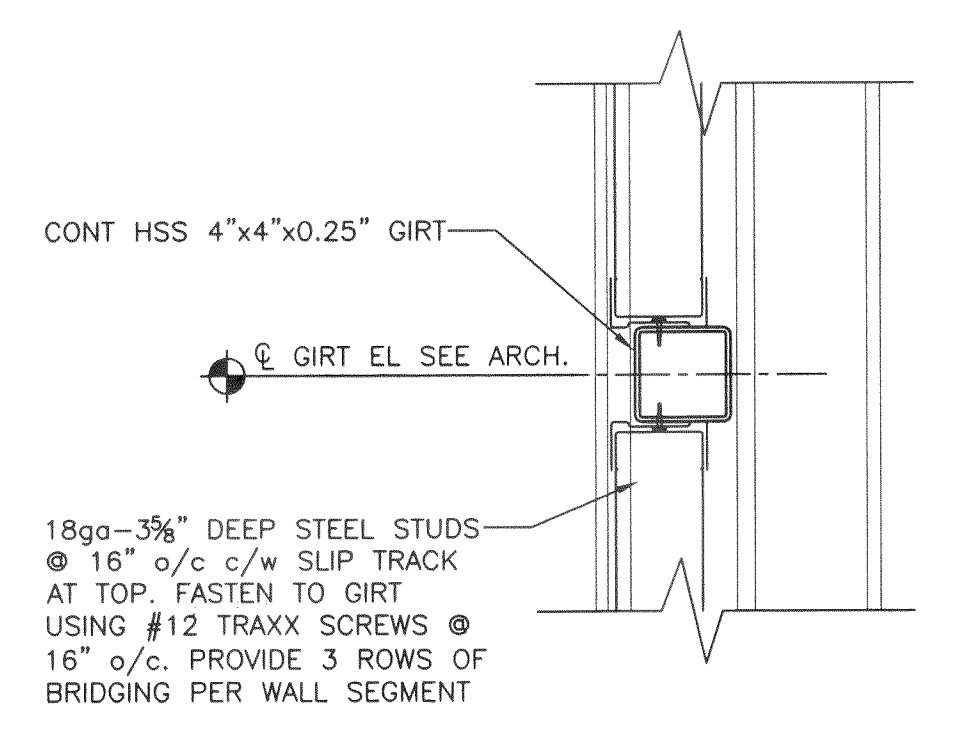
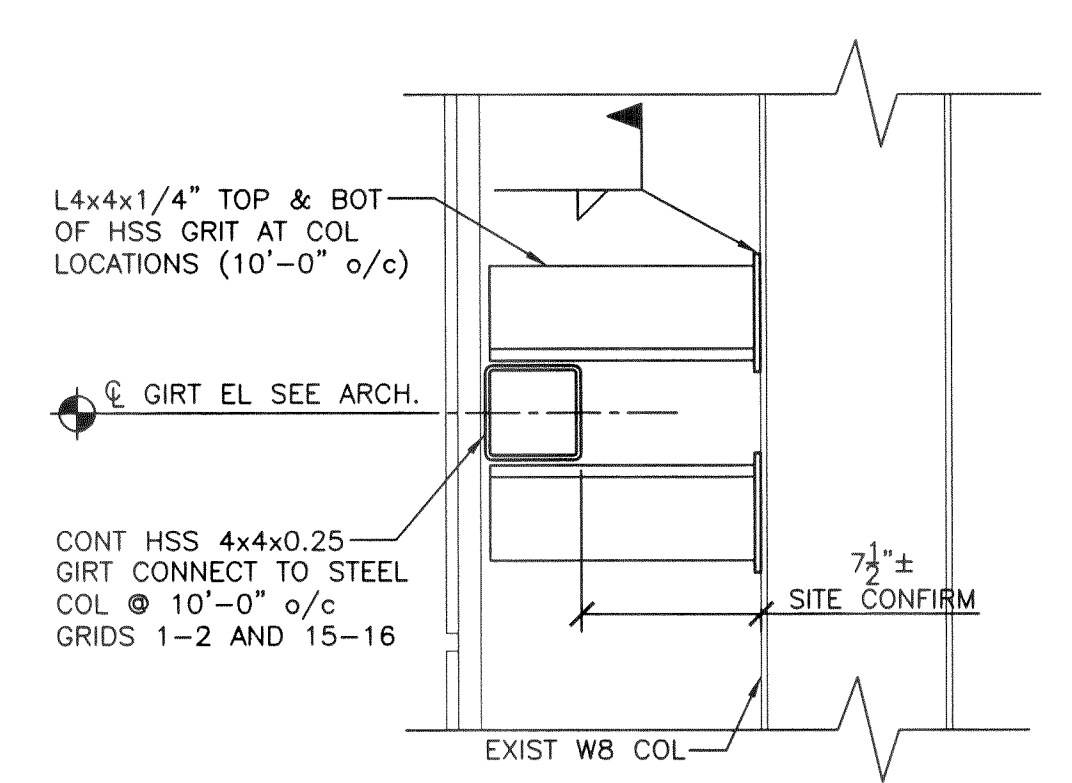


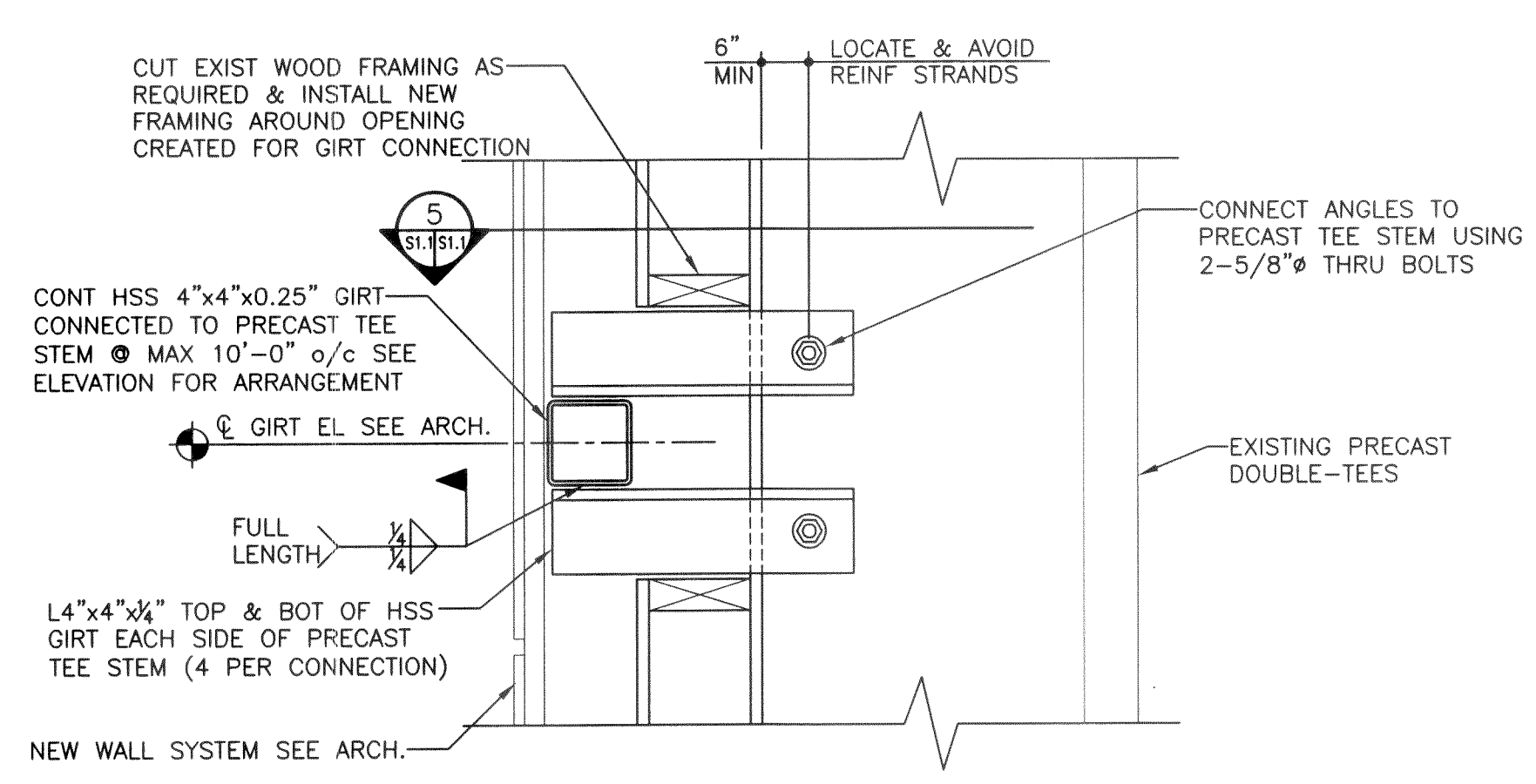
1 TOP GIRT DETAIL  
SCALE: 1 1/2"=1'-0"



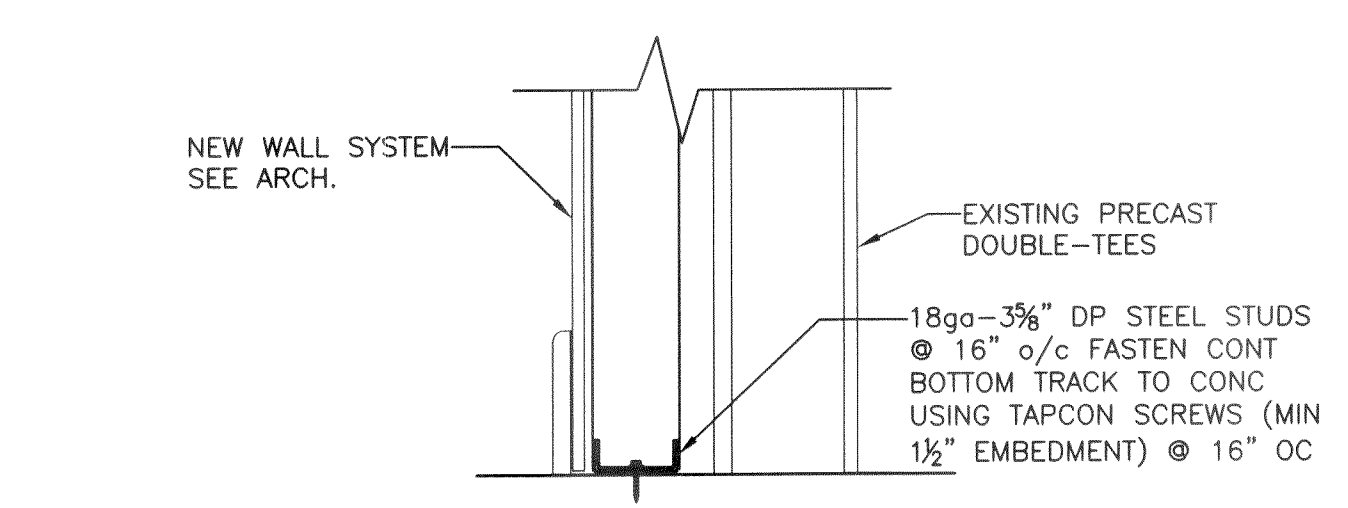
2 TYPICAL GIRT DETAIL - BETWEEN SUPPORT CONNECTIONS  
SCALE: 1 1/2"=1'-0"



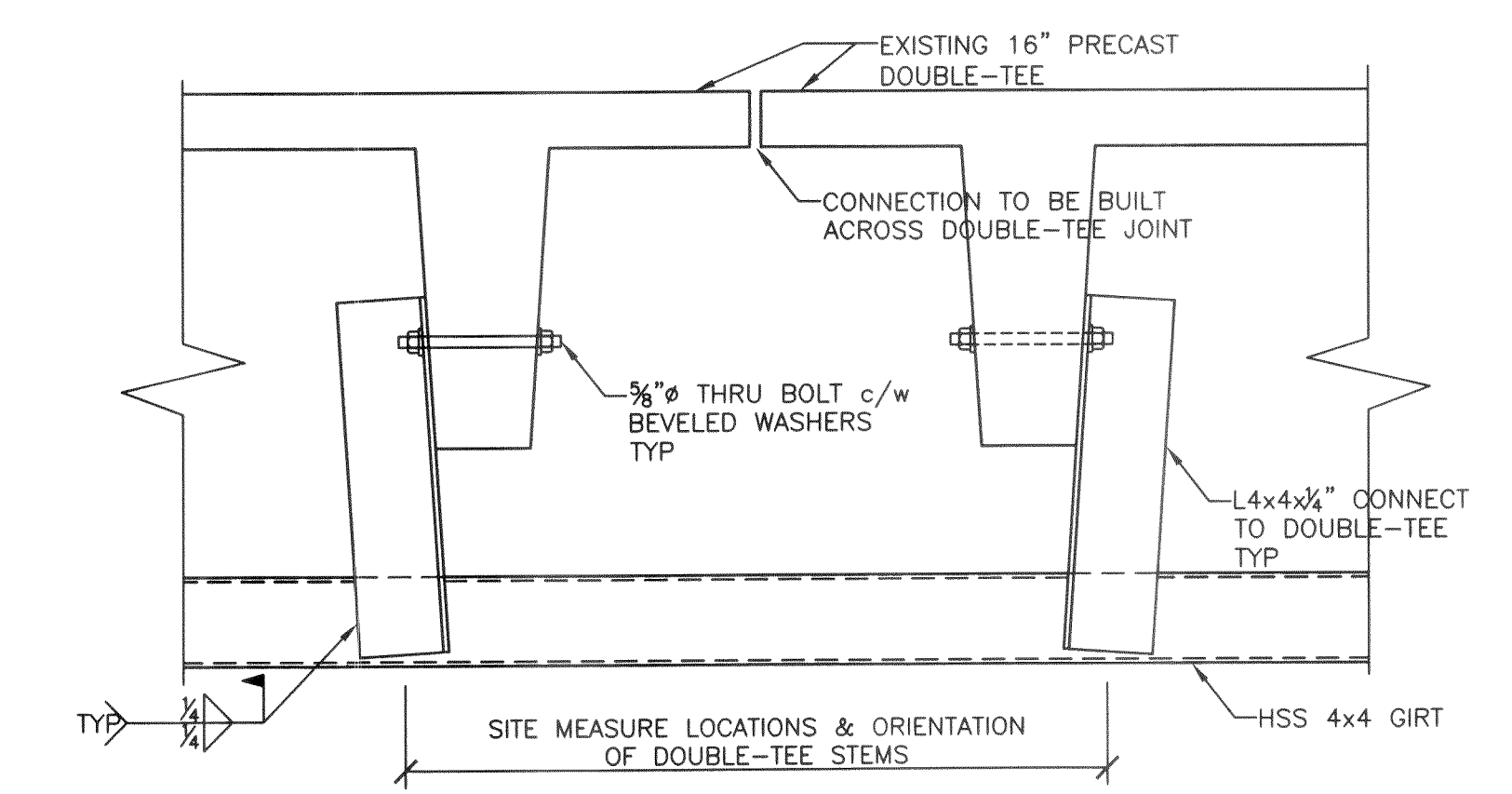
6 TYPICAL GIRT DETAIL - AT STEEL COLUMNS  
SCALE: 1 1/2"=1'-0" -AT GRIDS 1-2 & 15-16



3 TYPICAL GIRT DETAIL - AT PRECAST TEE  
SCALE: 1 1/2"=1'-0"



4 WALL BASE CONNECTION DETAIL  
SCALE: 1 1/2"=1'-0"



5 PLAN DETAIL  
SCALE: 1 1/2"=1'-0"

GENERAL NOTES

- STRUCTURAL DESIGN BASED ON THE MANITOBA BUILDING CODE OF CANADA 2005 EDITION.
  - IMPORTANCE CATEGORY: NORMAL
  - WIND LOAD:  $q_50 = 9.4$  P.S.F.
- DO NOT SCALE DRAWINGS.
- ALL DIMENSIONS ARE TO BE VERIFIED WITH THE ARCHITECTURAL DRAWINGS AND EXISTING SITE CONDITIONS PRIOR TO CONSTRUCTION.
- THESE STRUCTURAL DRAWINGS SHOW THE COMPLETED STRUCTURE AND DO NOT INDICATE ALL COMPONENTS NECESSARY FOR SAFETY DURING CONSTRUCTION. THE CONTRACTOR SHALL BE SOLELY RESPONSIBLE FOR SAFETY ON AND AROUND THE JOBSITE DURING CONSTRUCTION.

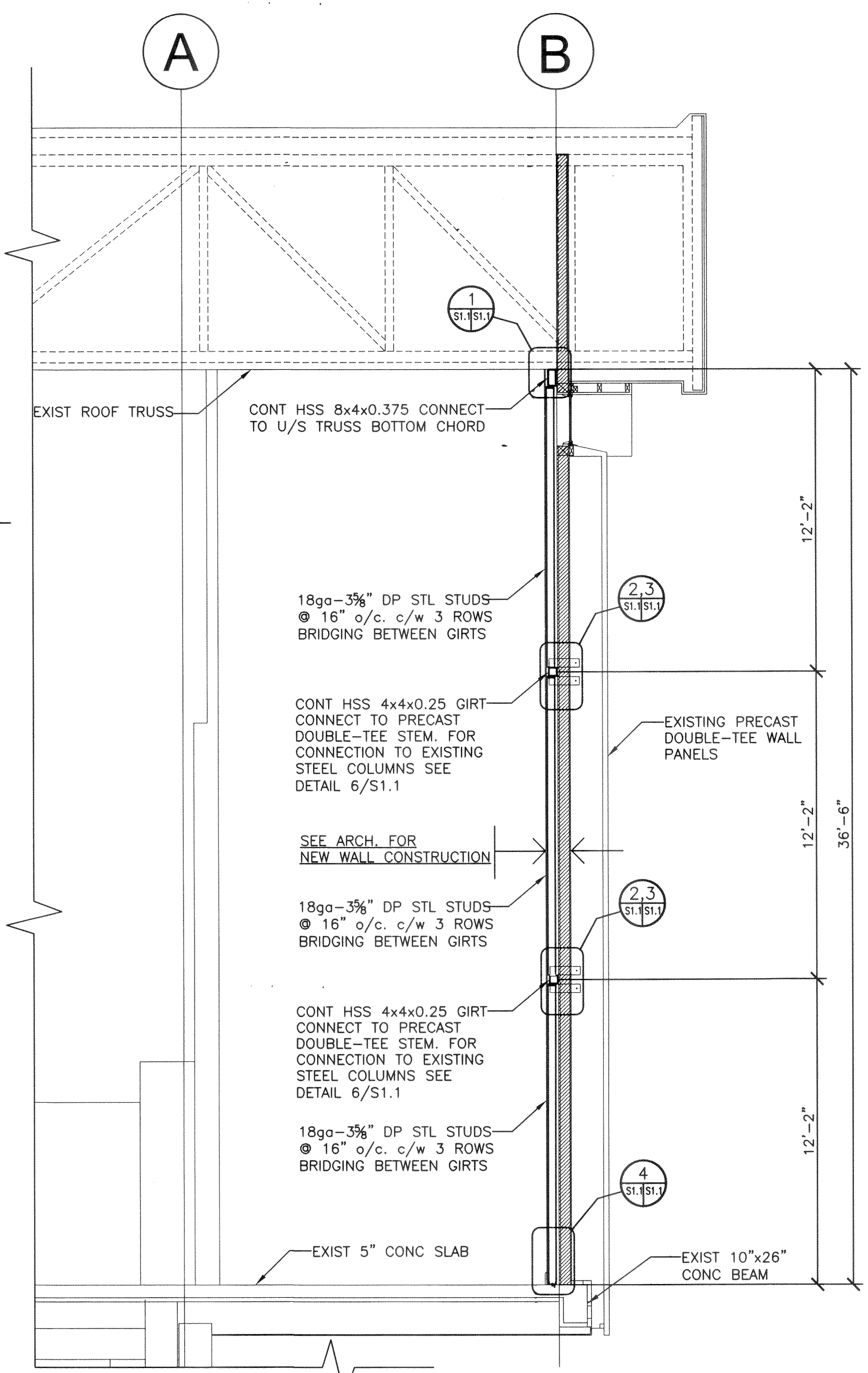
STRUCTURAL STEEL

- THE STRUCTURAL STEEL FABRICATOR'S ENGINEER SHALL BE RESPONSIBLE FOR LOCATING AND DESIGNING PROVISIONS FOR ALL TEMPORARY FALL PROTECTION SYSTEMS REQUIRED DURING CONSTRUCTION TO MEET MANITOBA WORKPLACE HEALTH AND SAFETY REGULATIONS.
- STRUCTURAL STEEL TO CONFORM TO CSA-G40.21, "STRUCTURAL QUALITY STEELS" AND CSA-G40.20 "GENERAL REQUIREMENTS FOR ROLLED OR WELDED STRUCTURAL QUALITY STEEL".
- ALL ROLLED OR STEEL STRUCTURAL SECTIONS SHALL BE G40.21-50W. ALL HOLLOW STRUCTURAL SECTIONS TO BE G40.21-50W CLASS C. ALL ANGLES, CHANNELS AND PLATES SHALL BE G40.21-44W.
- FABRICATION AND ERECTION OF STRUCTURAL STEEL SHALL BE PERFORMED IN ACCORDANCE WITH CAN/CSA S16.1-01, "STEEL STRUCTURES FOR BUILDINGS".
- ALL WELDING SHALL CONFORM TO THE LATEST EDITION OF CSA W59, "WELDED STEEL CONSTRUCTION". FABRICATORS SHALL BE PROPERLY CERTIFIED IN ACCORDANCE WITH CSA W47.1, "CERTIFICATION OF COMPANIES FOR FUSION WELDING OF STEEL STRUCTURES".
- ALL BOLTED CONNECTIONS TO USE A325 HIGH STRENGTH BOLTS. MINIMUM CONNECTION SHALL CONSIST OF 2 BOLTS.
- ALL STRUCTURAL STEEL IS TO RECEIVE ONE COAT OF CISC/CPMA 1-73g QUICK DRYING SHOP PRIMER. STEEL IN CRAWLSPACES SHALL RECEIVE 2 COATS. STEEL TO BE CLEANED IN CONFORMANCE WITH SSPC-SP2.
- FABRICATOR TO NOTIFY CONTRACT ADMINISTRATOR OF ANY PROPOSED MEMBER SUBSTITUTIONS AND CHANGED CONNECTION DETAILS.
- THE STRUCTURAL STEEL SUPPLIER SHALL PROVIDE AND BE RESPONSIBLE FOR ALL HOLES IN STEEL SECTIONS REQUIRED BY OTHER TRADES. SECTION SHALL BE STRENGTHENED WHERE REQUIRED TO GUARANTEE THE ORIGINAL STRENGTH OF THE BEAM. ANY CUTTING OF STEEL AT THE JOB SITE SHALL BE DONE ONLY AS DIRECTED AND APPROVED BY THE CONTRACT ADMINISTRATOR.
- STRUCTURAL STEEL SUPPLIER IS TO SUBMIT ENGINEERING DRAWINGS BEARING THE SEAL OF A PROFESSIONAL ENGINEER REGISTERED IN THE PROVINCE OF MANITOBA COVERING THE DESIGN OF CONNECTIONS, TO THE CONTRACT ADMINISTRATOR FOR REVIEW PRIOR TO FABRICATION. CONNECTION DESIGN TO INCLUDE FOR ALL ADJUSTABLE CONNECTIONS REQUIRED TO SUIT FABRICATION AND ERECTION PROCEDURES AND TOLERANCES.
- STRUCTURAL STEEL WHICH SUPPORTS ARCHITECTURAL FINISHES MUST BE DESIGNED TO BE SUFFICIENTLY ADJUSTABLE TO MEET REQUIRED INSTALLATION TOLERANCES. SEE ARCHITECTURAL FOR REQUIRED FINISH TOLERANCES.

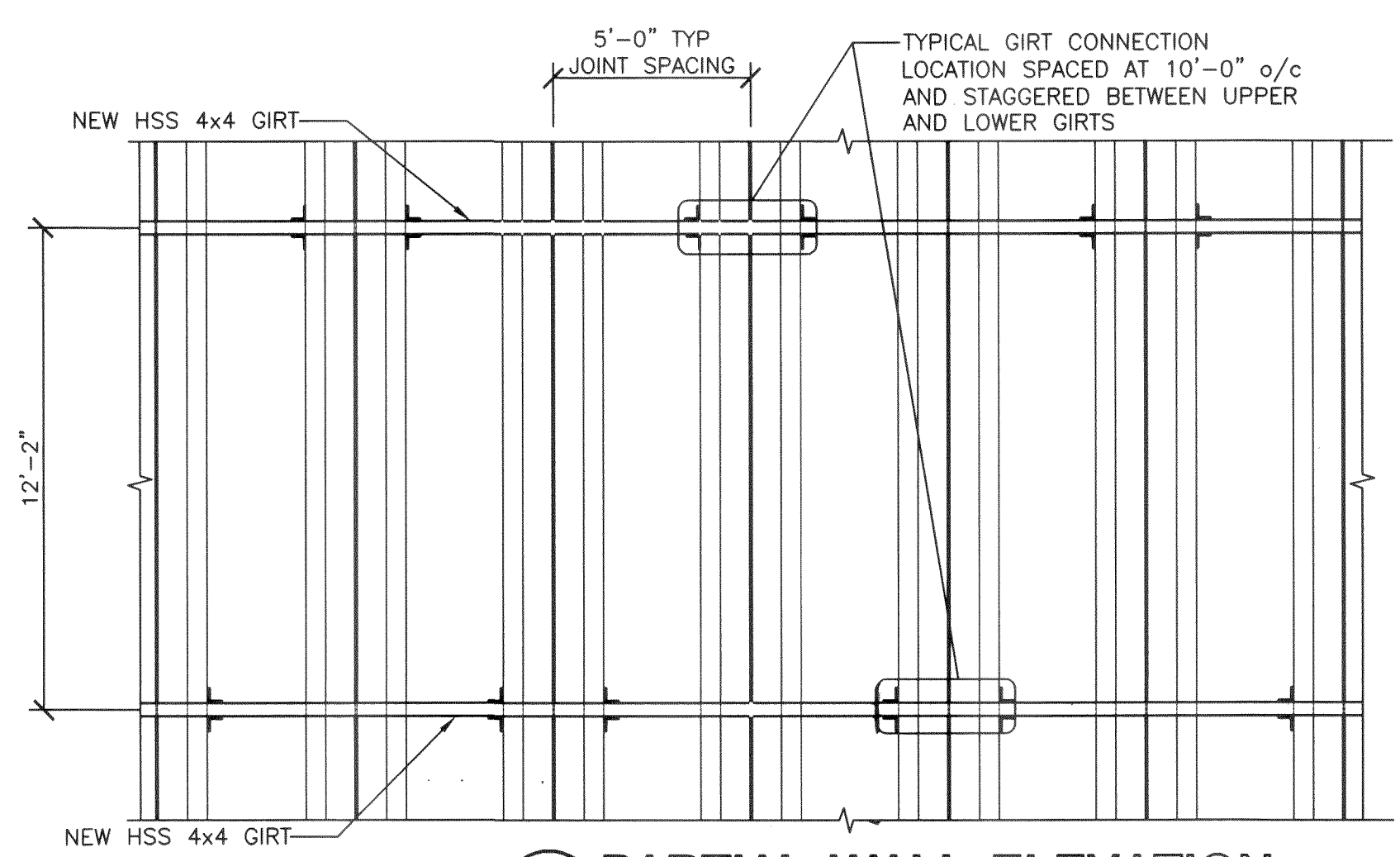
CAST-IN-PLACE CONCRETE NOTES DELETED

ROOF OVER WEST WEIGHT ROOM

- INTERIOR CURTAIN WALL WORK IS TO BE CARRIED OUT BY MEANS OF BUILDING A WORK PLATFORM ON THE INTERIOR ROOF OF THE EXISTING 2<sup>ND</sup> FLOOR WEIGHT ROOM. CARRYING OUT THE WORK VIA ARTICULATING LIFT FROM THE POOL DECK WILL NOT BE PERMITTED DUE TO LOADING CONSIDERATIONS, DISRUPTION OF POOL ACTIVITIES, AND POTENTIAL DAMAGE TO TILED DECK SURFACE.
- BASIC CONSTRUCTION OF THE INTERIOR ROOF STRUCTURE IS AS FOLLOWS:
  - PLYWOOD DECKING;
  - STEEL STUDS SPANNING HORIZONTALLY APPROXIMATELY 6'-6" BETWEEN SUPPORTS;
  - 5" DEEP STRUCTURAL STEEL CHANNELS SUPPORTING STEEL STUDS AND SPANNING APPROXIMATELY 10'-0" BETWEEN SUPPORTS;
  - MINIMUM 3"x3" HSS COLUMNS AT APPROXIMATELY 10'-0" ON CENTRE SUPPORTING STRUCTURAL STEEL CHANNELS.
- CONTRACTOR TO SUBMIT SHOP DRAWINGS INDICATING SUPPORT OF WORK PLATFORMS AND DETAILING TEMPORARY FRAMING TO SPAN 6'-6" BETWEEN EXISTING STRUCTURAL STEEL CHANNELS FOR REVIEW BY THE CONTRACT ADMINISTRATOR PRIOR TO COMMENCING WORK IN THIS AREA.
- EXISTING PLYWOOD AND HORIZONTAL STUDS ARE NOT TO BE RELIED UPON FOR SUPPORT OF TEMPORARY CONSTRUCTION LOADS.
- DRAWINGS TO ALSO INCLUDE TEMPORARY FALL PROTECTION FOR WORKERS AND PROTECTION FOR PUBLIC SPACE BELOW FROM FALLING CONSTRUCTION DEBRIS.
- SHOP DRAWINGS TO BE SEALED BY AN ENGINEER LICENCED TO PRACTICE IN THE PROVINCE OF MANITOBA.



A WALL SECTION  
SCALE: 1/4"=1'-0"



B PARTIAL WALL ELEVATION  
SCALE: 1/4"=1'-0" -AT PRECAST TEE CONNECTION

REV	DESCRIPTION	DATE	BY
1	ISSUED FOR ADDENDUM	Mar 25, 2010	HJL
0	ISSUED FOR TENDER	Feb 26, 2010	HJL

**APEGM**  
Certificate of Authorization  
Crosier Kilgour & Partners Ltd.  
No. 235 Date: Mar 25, 2010

SEAL: **PROVINCE OF MANITOBA**  
**H.V. LOUKA**  
Member  
21527  
03-24  
REGISTERED PROFESSIONAL ENGINEER

THIS DRAWING MUST NOT BE SCALED.  
THE GENERAL CONTRACTOR SHALL VERIFY ALL DIMENSIONS, DATUMS AND LEVELS PRIOR TO COMMENCEMENT OF WORK AND IS HELD RESPONSIBLE FOR REPORTING ANY DISCREPANCY OR OMISSION TO NEL COOPER ARCHITECT INC IMMEDIATELY.  
THIS DRAWING IS THE EXCLUSIVE PROPERTY OF NEL COOPER ARCHITECT INC AND CAN BE REPRODUCED ONLY WITH THE PERMISSION OF NEL COOPER ARCHITECT INC. IN WHICH CASE THE REPRODUCTION MUST BEAR THEIR NAME AS THE ARCHITECTURAL FIRM.

STRUCTURAL WALL SECTIONS, DETAILS & GENERAL NOTES

PROJECT: **PAN AM POOL BLDG ENVELOPE RETROFIT PHASE 2**  
25 Poseidon Bay, Winnipeg, Manitoba

303 275 Carlton Street  
Winnipeg, Manitoba R3C 5S6  
T 204 943 7501  
F 204 943 7507  
**Crosier Kilgour & Partners Ltd.**  
CONSULTING STRUCTURAL ENGINEERS

**Neil Cooper Architect Inc.**  
10-395 Berry Street, Winnipeg, Manitoba R3J 1N6

**Tuplin Group Inc.**  
Unit L 301 Weston Street, Winnipeg, Manitoba R3E 3H4

DRAWN BY: MS	CHECKED BY: HJL	SHEET NO: S1.1R-1	REV NO:
DATE: FEB 26, 2010	SCALE: As Noted		
FILE: 2009-0518			