

AECOM REVIEW	DRFT CHK
--------------	----------

PANEL 'A'			
CCT NO	DESCRIPTION	LOAD	TRIP
		AMPS	N AB
01	INTERIOR LIGHTING	15	20
03	INTERIOR LIGHTING	15	3P
05	RECEPTACLES	500	3P
07	TVSS	30	20
09	TVSS	30	3P
11	FIBRE OPTIC PANEL	15	3P
13	SPARE	15	20
15	SPARE	15	3P
17	HVAC CONTROL PANEL	200	20
19	RECEPTACLES	500	3P
21	EXHAUST FAN	15	20
23	PLC PANEL	15	3P
25	SUMP PUMP RECEPTACLE	500	5000
27	SPARE	15	3P
29	SPARE	15	20
31	SPARE	15	3P
33	SPACE		
35	SPACE		
37	SPACE		
39	SPACE		
41	SPACE		
42	SPACE		

PANEL 'A'			
CCT NO	DESCRIPTION	LOAD	TRIP
		AMPS	N AB
02	UNIT HEATER No.1	5000	20
04	UNIT HEATER No.2	5000	3P
06	UNIT HEATER No.3	5000	3P
08	UNIT HEATER No.4	5000	3P
10	SPACE		
12	SPACE		
14	SPACE		
16	SPACE		
18	SPACE		
20	SPACE		
22	SPACE		
24	SPACE		
26	SPACE		
28	SPACE		
30	SPACE		
32	SPACE		
34	SPACE		
36	SPACE		
38	SPACE		
40	SPACE		

VOLTAGE: 120/208V  
 MAIN BREAKER: N/A  
 MOUNTING: SURFACE  
 FED FROM: TRANSFORMER TR1  
 NOTES: NEMA 1A ENCLOSURE

PHASE: 3  
 MAINS: 225A  
 LOCATION: VALVE CHAMBER UPPER FLOOR

WIRE: 4  
 FEEDER: 4-1/C #3 AWG RW90 IN 35mm C  
 BREAKER I.C.: 10 KA

PANEL 'B'			
CCT NO	DESCRIPTION	LOAD	TRIP
		AMPS	N AB
01	VALVE ACTUATOR FCV-101	15	20
03	VALVE ACTUATOR FCV-101	15	3P
05	SPACE		
07	SPACE		
09	VALVE ACTUATOR FCV-102	15	20
11	VALVE ACTUATOR FCV-102	15	3P
13	SPACE		
15	TRANSFORMER TR-1	40	3P
17	SPACE		

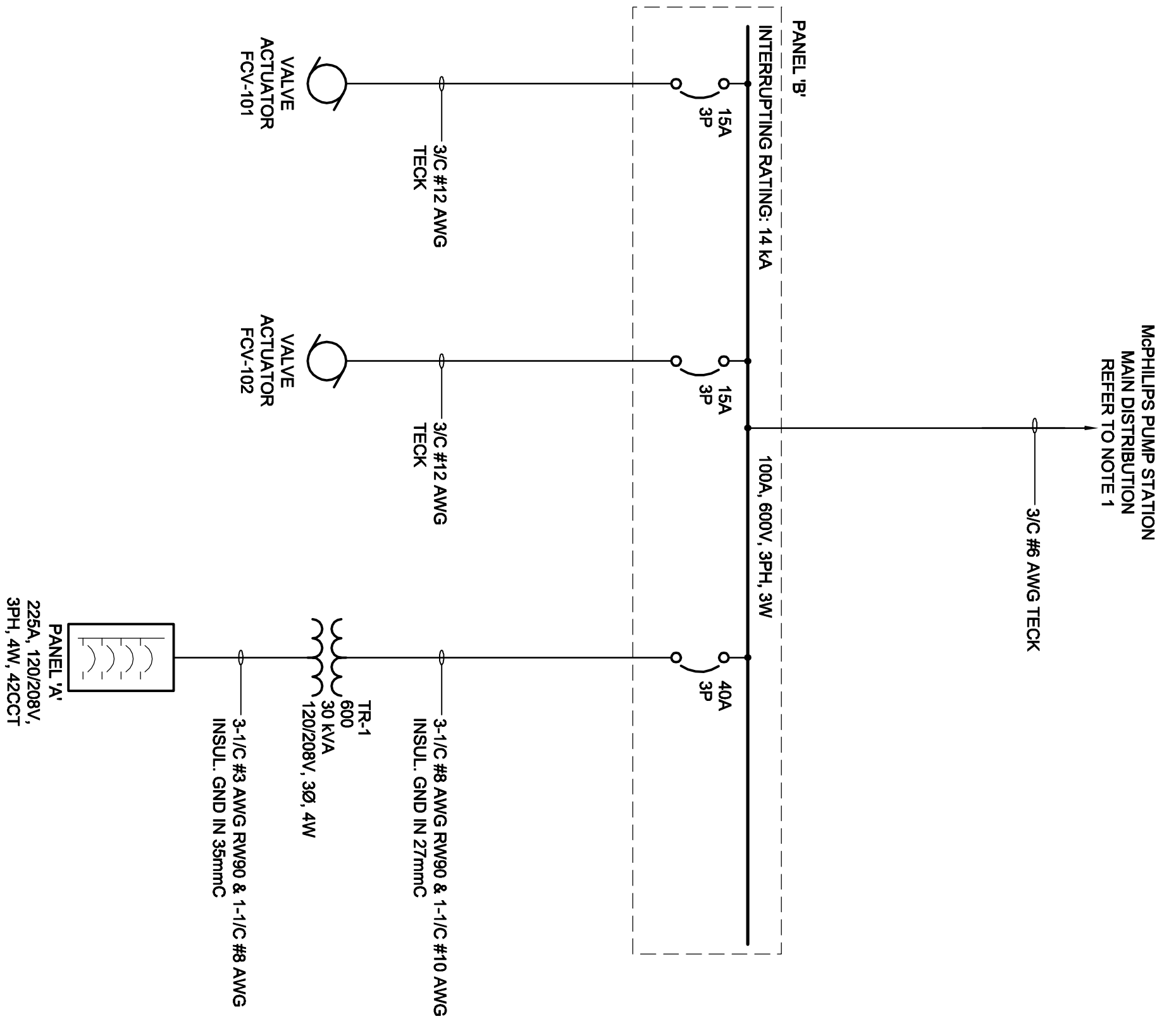
PANEL 'B'			
CCT NO	DESCRIPTION	LOAD	TRIP
		AMPS	N AB
02	SPACE		
04	SPACE		
06	SPACE		
08	SPACE		
10	SPACE		
12	SPACE		
14	SPACE		
16	SPACE		
18	SPACE		

VOLTAGE: 600  
 MAIN BREAKER: 50A, 3P  
 MOUNTING: SURFACE  
 FED FROM: McPHILLIPS PUMPING STATION MAIN BUILDING  
 NOTES: NEMA 1A ENCLOSURE

PHASE: 3 PH  
 MAINS: 100A  
 LOCATION: VALVE CHAMBER UPPER FLOOR

WIRE: 3  
 FEEDER: 3/C #6 AWG TECK  
 BREAKER I.C.: 14 KA

- NOTES
- SUPPLY AND INSTALL NEW 60A, 3P CIRCUIT BREAKER IN EXISTING VALVE CHAMBER FEEDER BREAKER TR1. PROVIDE ALL MODIFICATIONS NECESSARY. EXISTING PANEL IS A WESTINGHOUSE CONTROL CENTRE CLASS 11-350.



**SINGLE LINE DIAGRAM**

SCALE: NTS

**LOCATION APPROVED**  
 UNDERGROUND STRUCTURES COMMITTEE

DATE: \_\_\_\_\_

NOTE: LOCATION OF UNDERGROUND STRUCTURES SHALL BE SHOWN ON THE BEST AVAILABLE MAP. THE BEST GUARANTEE IS GIVEN THAT ALL EXISTING UTILITIES ARE SHOWN OR THAT THE GIVEN LOCATIONS ARE EXACT. CONTRACTOR OR ENGINEER SHALL OBTAIN ALL NECESSARY SERVICES MUST BE OBTAINED FROM THE INDIVIDUAL UTILITIES BEFORE PROCEEDING WITH CONSTRUCTION.

NO.	REVISIONS	DATE	BY
1	ISSUED FOR APPENDIX 1	10/02/26	SCK
0	ISSUED FOR CONSTRUCTION	10/02/26	SCK

DESIGNED	LCK	CHECKED	LK
BY		BY	
DRAWN	SCK	APPROVED	BTW
BY		BY	
HOR. SCALE	NONE	RELEASED FOR CONSTRUCTION	KZ
VERT. SCALE	N/A	DATE	FEB 9, 2010

PROFESSIONAL'S SEAL  
 REV. 0  
 ISSUED FOR CONSTRUCTION  
 WAS SEALED BY  
 B. L. MOORE  
 AND DATED  
 FEB. 8, 2010

**THE CITY OF WINNIPEG**  
 WATER AND WASTE DEPARTMENT

**BRANCH 1 AQUEDUCT VALVE CHAMBER**  
 AT McPHILLIPS STREET  
 PUMPING STATION  
 ELECTRICAL

**SINGLE LINE DIAGRAM AND PANEL SCHEDULES**

SHEET	25	OF	28
OTT DRAWING NUMBER	D-11935		
REV	1		

BID OPPORTUNITY NO. 16-2010